

# 36V<sub>IN</sub>, 24V<sub>OUT</sub> High Efficiency Buck-Boost DC/DC μModule Regulator

## FEATURES

- Single Inductor Architecture Allows V<sub>IN</sub> Above, Below or Equal to V<sub>OUT</sub>
- Wide V<sub>IN</sub> Range: 4.5V to 36V
- Wide V<sub>OUT</sub> Range: 0.8V to 24V
- 5A DC (10A DC in Buck Mode)
- High Efficiency Up to 98%
- Current Mode Control
- Power Good Output Signal
- Phase-Lockable Fixed Frequency: 200kHz to 400kHz
- Ultrafast Transient Response
- Current Foldback Protection
- Output Overvoltage Protection
- Small, Low Profile Surface Mount LGA Package (15mm × 15mm × 2.8mm)

## APPLICATIONS

- Telecom, Servers and Networking Equipment
- Industrial and Automotive Equipment
- High Power Battery-Operated Devices

All registered trademarks and trademarks are the property of their respective owners.

## DESCRIPTION

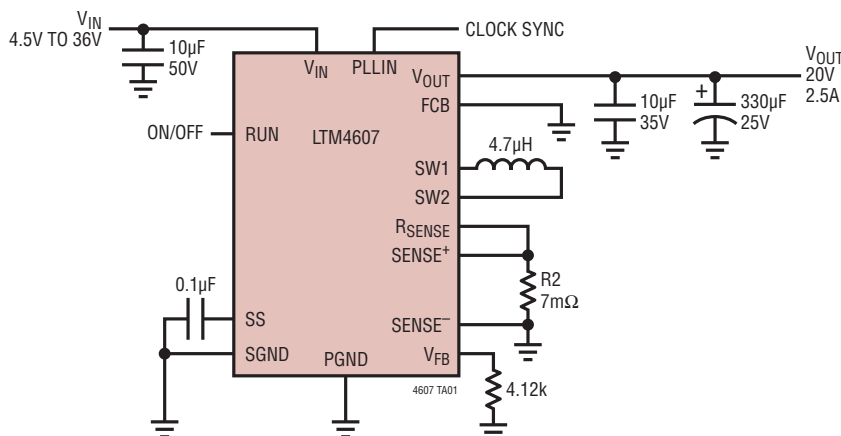
The LTM<sup>®</sup>4607 is a high efficiency switching mode buck-boost power supply. Included in the package are the switching controller, power FETs, and support components. Operating over an input voltage range of 4.5V to 36V, the LTM4607 supports an output voltage range of 0.8V to 24V, set by a resistor. This high efficiency design delivers up to 5A continuous current in boost mode (10A in buck mode). Only the inductor, sense resistor, bulk input and output capacitors are needed to finish the design.

The low profile package enables utilization of unused space on the bottom of PC boards for high density point of load regulation. The high switching frequency and current mode architecture enable a very fast transient response to line and load changes without sacrificing stability. The LTM4607 can be frequency synchronized with an external clock to reduce undesirable frequency harmonics.

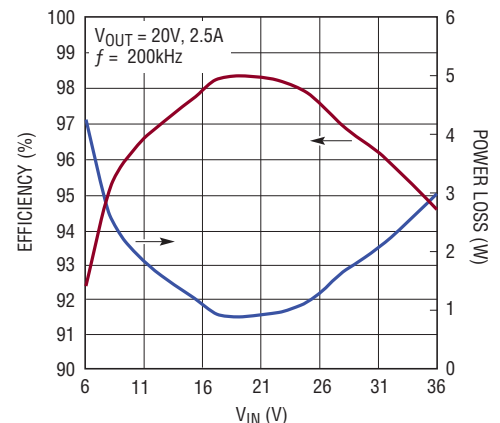
Fault protection features include overvoltage and fold-back current protection. The DC/DC μModule<sup>®</sup> regulator is offered in a small thermally enhanced 15mm × 15mm × 2.8mm LGA package. The LTM4607 is Pb-free and RoHS compliant.

## TYPICAL APPLICATION

20V/2.5A Buck-Boost DC/DC μModule Regulator with 4.5V to 36V Input



Efficiency and Power Loss vs Input Voltage



4607 TA01b

Rev. D

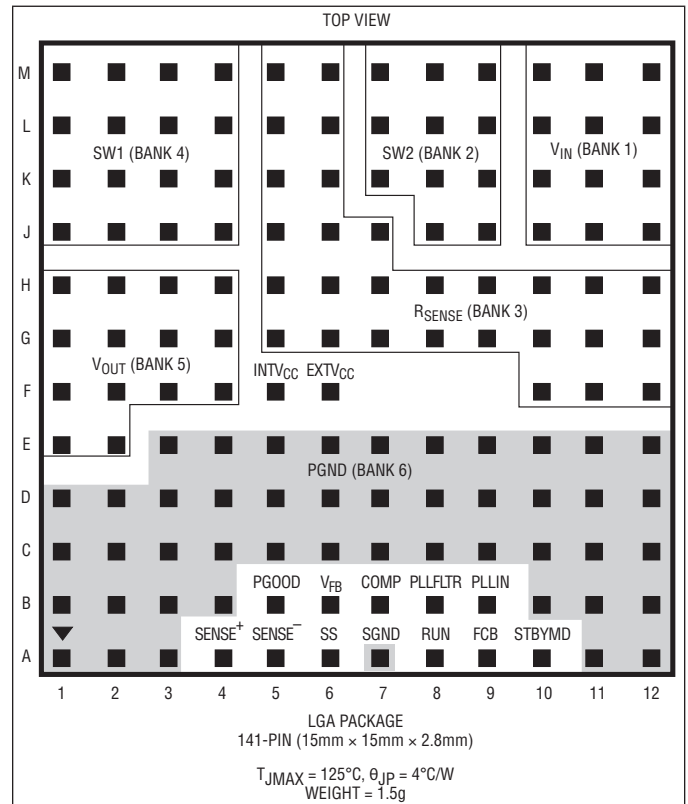
## ABSOLUTE MAXIMUM RATINGS

(Note 1)

$V_{IN}$ .....	-0.3V to 36V
$V_{OUT}$ .....	0.8V to 25V
INTV <sub>CC</sub> , EXT <sub>CC</sub> , RUN, SS, PGOOD .....	-0.3V to 7V
SW1 (Note 6) .....	-5V to 25V
SW2 (Note 6) .....	-5V to 36V
$V_{FB}$ , COMP .....	-0.3V to 2.4V
FCB, STBYMD .....	-0.3V to INTV <sub>CC</sub>
PLLIN .....	-0.3V to 5.5V
PLLFLTR .....	-0.3V to 2.7V
Operating Temperature Range (Note 2) .....	-40°C to 85°C
Storage Temperature Range .....	-55°C to 125°C

## PIN CONFIGURATION

(See Table 6 Pin Assignment)



## ORDER INFORMATION

PART NUMBER	PAD OR BALL FINISH	PART MARKING*		PACKAGE TYPE	MSL RATING	TEMPERATURE RANGE (NOTE 2)
		DEVICE	FINISH CODE			
LTM4607EV#PBF	Au (RoHS)	LTM4607V	e4	LGA	4	-40°C to 85°C
LTM4607IV#PBF	Au (RoHS)	LTM4607V	e4	LGA	4	-40°C to 85°C

- Contact the factory for parts specified with wider operating temperature ranges.  
\*Device temperature grade is indicated by a label on the shipping container. Pad or ball finish code is per IPC/JEDEC J-STD-609.
- [Recommended LGA and BGA PCB Assembly and Manufacturing Procedures](#)
- [LGA and BGA Package and Tray Drawings](#)

## ELECTRICAL CHARACTERISTICS

The ● denotes the specifications which apply over the full operating temperature range, otherwise specifications are at T<sub>A</sub> = 25°C (Note 2), V<sub>IN</sub> = 12V. Per typical application (front page) configuration.

SYMBOL	PARAMETER	CONDITIONS	MIN	TYP	MAX	UNITS
<b>Input Specifications</b>						
V <sub>IN(DC)</sub>	Input DC Voltage		● 4.5		36	V
V <sub>IN(UVLO)</sub>	Undervoltage Lockout Threshold	V <sub>IN</sub> Falling	●	3.4	4	V
I <sub>Q(VIN)</sub>	Input Supply Bias Current			2.8		mA
	Normal	V <sub>RUN</sub> = 0V, V <sub>STBYMD</sub> > 2V		1.6		mA
	Standby	V <sub>RUN</sub> = 0V, V <sub>STBYMD</sub> = Open		35	60	μA
	Shutdown Supply Current					μA

Rev. D

## ELECTRICAL CHARACTERISTICS

The ● denotes the specifications which apply over the full operating temperature range, otherwise specifications are at  $T_A = 25^\circ\text{C}$  (Note 2),  $V_{IN} = 12\text{V}$ . Per typical application (front page) configuration.

SYMBOL	PARAMETER	CONDITIONS	MIN	TYP	MAX	UNITS	
<b>Output Specifications</b>							
$I_{OUTDC}$	Output Continuous Current Range (See Output Current Derating Curves for Different $V_{IN}$ , $V_{OUT}$ and $T_A$ )	$V_{IN} = 32\text{V}$ , $V_{OUT} = 12\text{V}$ $V_{IN} = 6\text{V}$ , $V_{OUT} = 12\text{V}$		10 5		A A	
$\Delta V_{FB}/V_{FB(NOM)}$	Reference Voltage Line Regulation Accuracy	$V_{IN} = 4.5\text{V}$ to $36\text{V}$ , $V_{COMP} = 1.2\text{V}$ (Note 3)		0.002	0.02	%/V	
$\Delta V_{FB}/V_{FB(LOAD)}$	Load Regulation Accuracy	$V_{COMP} = 1.2\text{V}$ to $0.7\text{V}$ $V_{COMP} = 1.2\text{V}$ to $1.8\text{V}$ (Note 3)	● ●	0.15 -0.15	0.5 -0.5	% %	
<b>Switch Section</b>							
M1 $t_r$	Turn-On Time (Note 4)	Drain to Source Voltage $V_{DS} = 12\text{V}$ , Bias Current $I_{SW} = 10\text{mA}$		50		ns	
M1 $t_f$	Turn-Off Time	Drain to Source Voltage $V_{DS} = 12\text{V}$ , Bias Current $I_{SW} = 10\text{mA}$		40		ns	
M3 $t_r$	Turn-On Time	Drain to Source Voltage $V_{DS} = 12\text{V}$ , Bias Current $I_{SW} = 10\text{mA}$		25		ns	
M3 $t_f$	Turn-Off Time	Drain to Source Voltage $V_{DS} = 12\text{V}$ , Bias Current $I_{SW} = 10\text{mA}$		20		ns	
M2, M4 $t_r$	Turn-On Time	Drain to Source Voltage $V_{DS} = 12\text{V}$ , Bias Current $I_{SW} = 10\text{mA}$		20		ns	
M2, M4 $t_f$	Turn-Off Time	Drain to Source Voltage $V_{DS} = 12\text{V}$ , Bias Current $I_{SW} = 10\text{mA}$		20		ns	
$t_{1d}$	M1 Off to M2 On Delay (Note 4)	Drain to Source Voltage $V_{DS} = 12\text{V}$ , Bias Current $I_{SW} = 10\text{mA}$		50		ns	
$t_{2d}$	M2 Off to M1 On Delay	Drain to Source Voltage $V_{DS} = 12\text{V}$ , Bias Current $I_{SW} = 10\text{mA}$		50		ns	
$t_{3d}$	M3 Off to M4 On Delay	Drain to Source Voltage $V_{DS} = 12\text{V}$ , Bias Current $I_{SW} = 10\text{mA}$		50		ns	
$t_{4d}$	M4 Off to M3 On Delay	Drain to Source Voltage $V_{DS} = 12\text{V}$ , Bias Current $I_{SW} = 10\text{mA}$		50		ns	
Mode Transition 1	M2 Off to M4 On Delay	Drain to Source Voltage $V_{DS} = 12\text{V}$ , Bias Current $I_{SW} = 10\text{mA}$		220		ns	
Mode Transition 2	M4 Off to M2 On Delay	Drain to Source Voltage $V_{DS} = 12\text{V}$ , Bias Current $I_{SW} = 10\text{mA}$		220		ns	
M1 $R_{DS(ON)}$	Static Drain-to-Source On-Resistance	Bias Current $I_{SW} = 3\text{A}$		10		m $\Omega$	
M2 $R_{DS(ON)}$	Static Drain-to-Source On-Resistance	Bias Current $I_{SW} = 3\text{A}$		12	18	m $\Omega$	
M3 $R_{DS(ON)}$	Static Drain-to-Source On-Resistance	Bias Current $I_{SW} = 3\text{A}$		8	12	m $\Omega$	
M4 $R_{DS(ON)}$	Static Drain-to-Source On-Resistance	Bias Current $I_{SW} = 3\text{A}$		8	12	m $\Omega$	
<b>Oscillator and Phase-Locked Loop</b>							
$f_{NOM}$	Nominal Frequency	$V_{PLLFLTR} = 1.2\text{V}$		260	300	330	kHz
$f_{LOW}$	Lowest Frequency	$V_{PLLFLTR} = 0\text{V}$		170	200	220	kHz
$f_{HIGH}$	Highest Frequency	$V_{PLLFLTR} = 2.4\text{V}$		340	400	440	kHz
$R_{PLLIN}$	PLLIN Input Resistance			50		k $\Omega$	

## ELECTRICAL CHARACTERISTICS

The ● denotes the specifications which apply over the full operating temperature range, otherwise specifications are at  $T_A = 25^\circ\text{C}$  (Note 2),  $V_{IN} = 12\text{V}$ . Per typical application (front page) configuration.

SYMBOL	PARAMETER	CONDITIONS	MIN	TYP	MAX	UNITS	
$I_{PLLFLTR}$	Phase Detector Output Current	$f_{PLLIN} < f_{OSC}$ $f_{PLLIN} > f_{OSC}$		-15 15		$\mu\text{A}$ $\mu\text{A}$	
<b>Control Section</b>							
$V_{FB}$	Feedback Reference Voltage	$V_{COMP} = 1.2\text{V}$	●	0.792	0.8	0.808	V
$V_{RUN}$	RUN Pin ON/OFF Threshold			1	1.6	2.2	V
$I_{SS}$	Soft-Start Charging Current	$V_{RUN} = 2.2\text{V}$		1	1.7		$\mu\text{A}$
$V_{STBYMD(START)}$	Start-Up Threshold	$V_{STBYMD}$ Rising		0.4	0.7		V
$V_{STBYMD(KA)}$	Keep-Active Power On Threshold	$V_{STBYMD}$ Rising, $V_{RUN} = 0\text{V}$			1.25		V
$V_{FCB}$	Forced Continuous Threshold			0.76	0.8	0.84	V
$I_{FCB}$	Forced Continuous Pin Current	$V_{FCB} = 0.85\text{V}$		-0.3	-0.2	-0.1	$\mu\text{A}$
$V_{BURST}$	Burst Inhibit (Constant Frequency) Threshold	Measured at FCB Pin			5.3	5.5	V
$DF_{(BOOST, MAX)}$	Maximum Duty Factor	% Switch M4 On			99		%
$DF_{(BUCK, MAX)}$	Maximum Duty Factor	% Switch M1 On			99		%
$t_{ON(MIN, BUCK)}$	Minimum On-Time for Synchronous Switch in Buck Operation	Switch M1 (Note 5)			200	250	ns
RFBHI	Resistor Between $V_{OUT}$ and $V_{FB}$ Pins			99.5	100	100.5	$\text{k}\Omega$
<b>Internal <math>V_{CC}</math> Regulator</b>							
$INTV_{CC}$	Internal $V_{CC}$ Voltage	$V_{IN} > 7\text{V}$ , $V_{EXTVCC} = 5\text{V}$	●	5.7	6	6.3	V
$\Delta V_{LDO}/V_{LDO}$	Internal $V_{CC}$ Load Regulation	$I_{CC} = 0\text{mA}$ to $20\text{mA}$ , $V_{EXTVCC} = 5\text{V}$			0.3	2	%
$V_{EXTVCC}$	EXTV <sub>CC</sub> Switchover Voltage	$I_{CC} = 20\text{mA}$ , $V_{EXTVCC}$ Rising	●	5.4	5.6		V
$\Delta V_{EXTVCC(HYS)}$	EXTV <sub>CC</sub> Switchover Hysteresis				300		mV
$\Delta V_{EXTVCC}$	EXTV <sub>CC</sub> Switch Drop Voltage	$I_{CC} = 20\text{mA}$ , $V_{EXTVCC} = 6\text{V}$			60	150	mV
<b>Current Sensing Section</b>							
$V_{SENSE(MAX)}$	Maximum Current Sense Threshold	Boost Mode Buck Mode	● ●	-95	160 -130	190 -150	mV mV
$V_{SENSE(MIN, BUCK)}$	Minimum Current Sense Threshold	Discontinuous Mode			-6		mV
$I_{SENSE}$	Sense Pins Total Source Current	$V_{SENSE}^- = V_{SENSE}^+ = 0\text{V}$			-380		$\mu\text{A}$
<b>PGOOD</b>							
$\Delta V_{FBH}$	PGOOD Upper Threshold	$V_{FB}$ Rising		5.5	7.5	10	%
$\Delta V_{FBL}$	PGOOD Lower Threshold	$V_{FB}$ Falling		-5.5	-7.5	-10	%
$\Delta V_{FB(HYS)}$	PGOOD Hysteresis	$V_{FB}$ Returning			2.5		%
$V_{PGL}$	PGOOD Low Voltage	$I_{PGOOD} = 2\text{mA}$			0.2	0.3	V
$I_{PGOOD}$	PGOOD Leakage Current	$V_{PGOOD} = 5\text{V}$				1	$\mu\text{A}$

**Note 1:** Stresses beyond those listed under Absolute Maximum Ratings may cause permanent damage to the device. Exposure to any Absolute Maximum Rating condition for extended periods may affect device reliability and lifetime.

**Note 2:** The LTM4607E is guaranteed to meet specifications from  $0^\circ\text{C}$  to  $85^\circ\text{C}$  operating temperature range. Specifications over the  $-40^\circ\text{C}$  to  $85^\circ\text{C}$  operating temperature range are assured by design, characterization and correlation with statistical process controls. The LTM4607I is guaranteed over the  $-40^\circ\text{C}$  to  $85^\circ\text{C}$  operating temperature range.

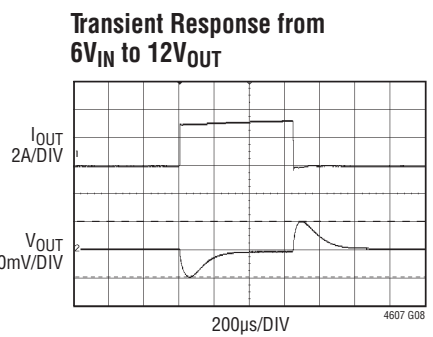
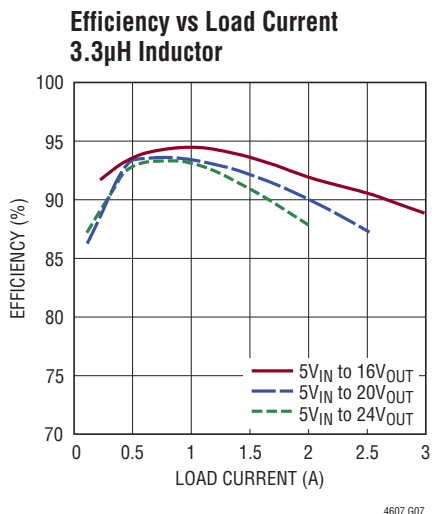
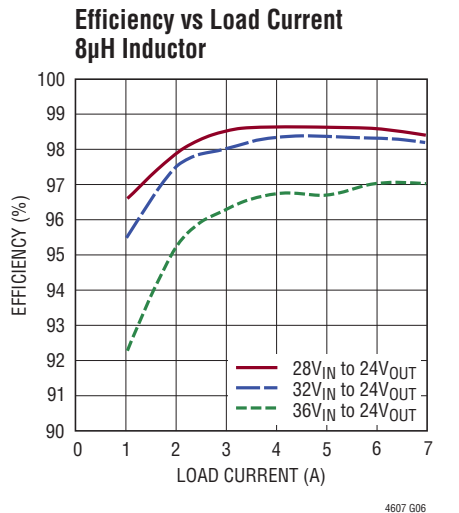
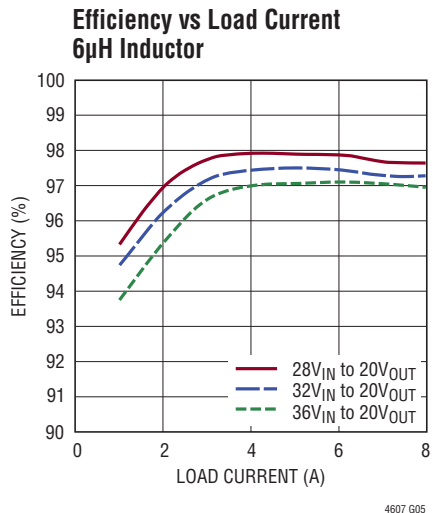
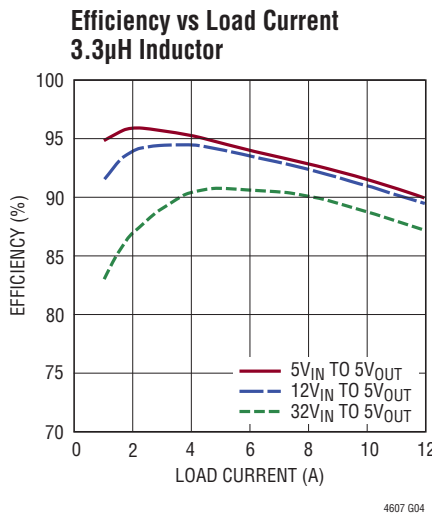
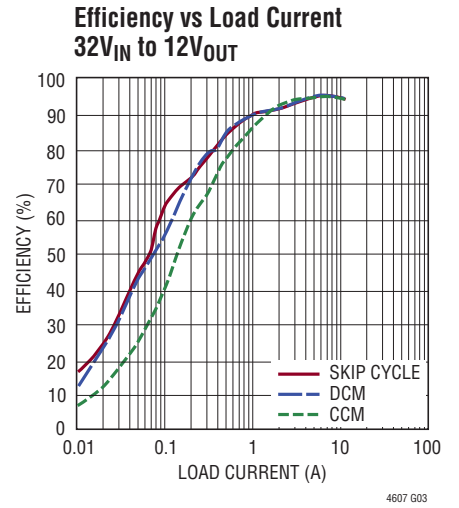
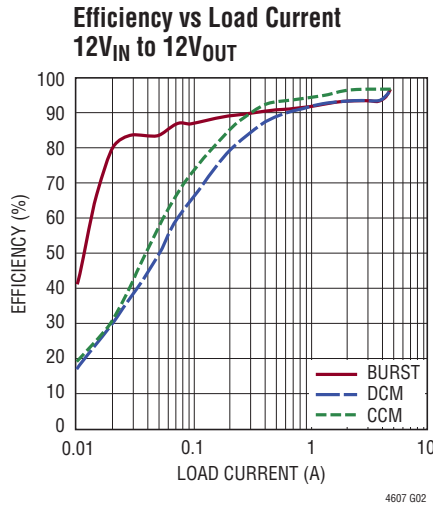
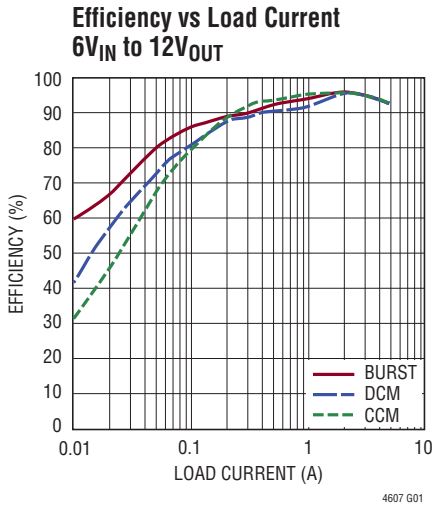
**Note 3:** The LTM4607 is tested in a feedback loop that servos  $V_{COMP}$  to a specified voltage and measures the resultant  $V_{FB}$ .

**Note 4:** Turn-on and turn-off time are measured using 10% and 90% levels. Transition delay time is measured using 50% levels.

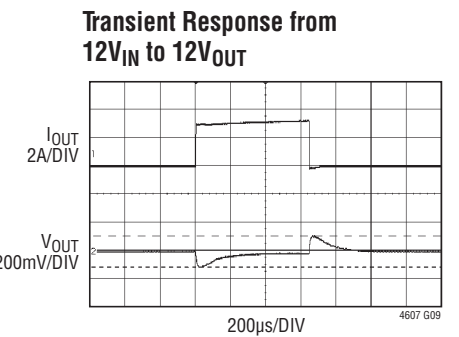
**Note 5:** 100% test at wafer level only.

**Note 6:** Absolute Maximum Rating of  $-5\text{V}$  on SW1 and SW2 is under transient condition only.

**TYPICAL PERFORMANCE CHARACTERISTICS** (Refer to Figure 18)



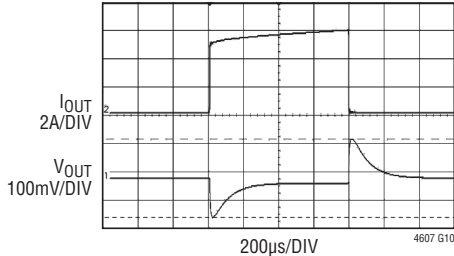
LOAD STEP: 0A TO 3A AT CCM  
OUTPUT CAPS: 22μF ×4 CERAMIC CAPS AND  
180μF ×2 ELECTROLYTIC CAPS  
15mΩ ×2 SENSING RESISTORS



LOAD STEP: 0A TO 3A AT CCM  
OUTPUT CAPS: 22μF ×4 CERAMIC CAPS AND  
180μF ×2 ELECTROLYTIC CAPS  
15mΩ ×2 SENSING RESISTORS

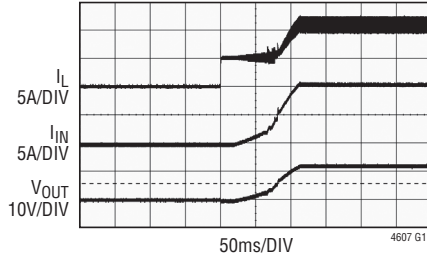
## TYPICAL PERFORMANCE CHARACTERISTICS

**Transient Response from 32V<sub>IN</sub> to 12V<sub>OUT</sub>**



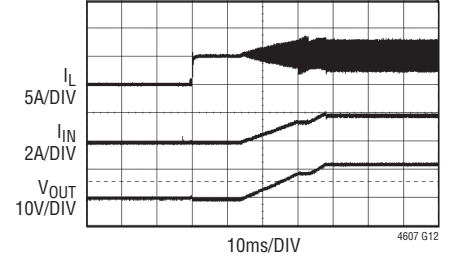
LOAD STEP: 0A TO 5A AT CCM  
 OUTPUT CAPS: 22µF ×4 CERAMIC CAPS AND  
 180µF ×2 ELECTROLYTIC CAPS  
 12mΩ ×2 SENSING RESISTORS

**Start-Up with 6V<sub>IN</sub> to 12V<sub>OUT</sub> at I<sub>OUT</sub> = 5A**



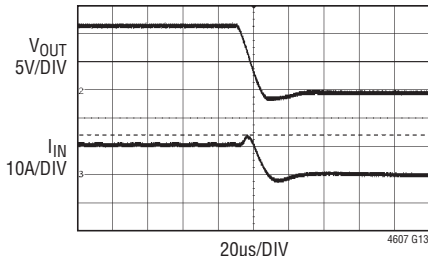
0.1µF SOFT-START CAP  
 OUTPUT CAPS: 22µF ×4 CERAMIC CAPS AND  
 180µF ×2 ELECTROLYTIC CAPS  
 12mΩ ×2 SENSING RESISTORS

**Start-Up with 32V<sub>IN</sub> to 12V<sub>OUT</sub> at I<sub>OUT</sub> = 5A**



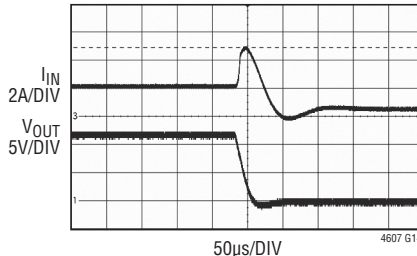
0.1µF SOFT-START CAP  
 OUTPUT CAPS: 22µF ×4 CERAMIC CAPS AND  
 180µF ×2 ELECTROLYTIC CAPS  
 12mΩ ×2 SENSING RESISTORS

**Short-Circuit with 6V<sub>IN</sub> to 12V<sub>OUT</sub> at I<sub>OUT</sub> = 5A**



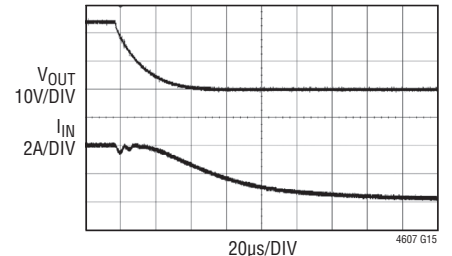
OUTPUT CAPS: 22µF ×4 CERAMIC CAPS AND  
 180µF ×2 ELECTROLYTIC CAPS  
 12mΩ ×2 SENSING RESISTORS

**Short-Circuit with 32V<sub>IN</sub> to 12V<sub>OUT</sub> at I<sub>OUT</sub> = 5A**



OUTPUT CAPS: 22µF ×4 CERAMIC CAPS AND  
 180µF ×2 ELECTROLYTIC CAPS  
 12mΩ ×2 SENSING RESISTORS

**Short-Circuit with 36V<sub>IN</sub> to 24V<sub>OUT</sub> at I<sub>OUT</sub> = 6A**



OUTPUT CAPS: 22µF ×4 CERAMIC CAPS AND  
 180µF ×2 ELECTROLYTIC CAPS  
 15mΩ ×2 SENSING RESISTORS

## PIN FUNCTIONS

**SENSE<sup>+</sup> (Pin A4):** Positive Input to the Current Sense and Reverse Current Detect Comparators.

**SENSE<sup>-</sup> (Pin A5):** Negative Input to the Current Sense and Reverse Current Detect Comparators.

**SS (Pin A6):** Soft-Start Pin. Soft-start reduces the input surge current from the power source by gradually increasing the controller's current limit.

**SGND (Pin A7):** Signal Ground Pin. This pin connects to PGND at output capacitor point.

**RUN (Pin A8):** Run Control Pin. A voltage below 1.6V will turn off the module. There is a 100k resistor between the RUN pin and SGND in the module. Do not apply more than 6V to this pin. See the Applications Information section.

**FCB (Pin A9):** Forced Continuous Control Input. The voltage applied to this pin sets the operating mode of the module. When the applied voltage is less than 0.8V, the forced continuous current mode is active. When this pin is allowed to float, the Burst Mode<sup>®</sup> operation is active in boost operation and the skip cycle mode is active in buck operation. When the pin is tied to INTV<sub>CC</sub>, the constant frequency discontinuous current mode is active in buck or boost operation. See the Applications Information section.

**STBYMD (Pin A10):** LDO Control Pin. Determines whether the internal LDO remains active when the controller is shut down. See the Operation section for details. If the STBYMD pin is pulled to ground, the SS pin is internally pulled to ground to disable start-up and thereby providing a single control pin for turning off the controller. An internal decoupling capacitor is tied to this pin.

**V<sub>IN</sub> (Bank 1):** Power Input Pins. Apply input voltage between these pins and PGND pins. Recommend placing input decoupling capacitance directly between V<sub>IN</sub> pins and PGND pins.

**R<sub>SENSE</sub> (Bank 3):** Sensing Resistor Pin. The sensing resistor is connected from this pin to PGND.

**SW1, SW2 (Bank 4, Bank 2):** Switch Nodes. The power inductor is connected between SW1 and SW2.

**V<sub>OUT</sub> (Bank 5):** Power Output Pins. Apply output load between these pins and PGND pins. Recommend placing output decoupling capacitance directly between these pins and PGND pins.

**PGND (Bank 6):** Power Ground Pins for Both Input and Output Returns.

**PGOOD (Pin B5):** Output Voltage Power Good Indicator. Open drain logic output that is pulled to ground when the output voltage is not within  $\pm 10\%$  of the regulation point, after a 25 $\mu$ s power bad mask timer expires.

**V<sub>FB</sub> (Pin B6):** The Negative Input of the Error Amplifier. Internally, this pin is connected to V<sub>OUT</sub> with a 100k precision resistor. Different output voltages can be programmed with an additional resistor between V<sub>FB</sub> and SGND pins. See the Applications Information section.

**COMP (Pin B7):** Current Control Threshold and Error Amplifier Compensation Point. The current comparator threshold increases with this control voltage. The voltage ranges from 0V to 2.4V.

**PLLFLTR (Pin B8):** The lowpass filter of the phase-locked loop is tied to this pin. This pin can also be used to set the frequency of the internal oscillator with an AC or DC voltage. See the Applications Information section for details.

**PLLIN (Pin B9):** External Clock Synchronization Input to the Phase Detector. This pin is internally terminated to SGND with a 50k resistor. The phase-locked loop will force the rising bottom gate signal of the controller to be synchronized with the rising edge of PLLIN signal.

**INTV<sub>CC</sub> (Pin F5):** Internal 6V Regulator Output. This pin is for additional decoupling of the 6V internal regulator.

**EXTV<sub>CC</sub> (Pin F6):** External V<sub>CC</sub> Input. When EXTV<sub>CC</sub> exceeds 5.7V, an internal switch connects this pin to INTV<sub>CC</sub> and shuts down the internal regulator so that the controller and gate drive power is drawn from EXTV<sub>CC</sub>. Do not exceed 7V at this pin and ensure that EXTV<sub>CC</sub> < V<sub>IN</sub>.



**SIMPLIFIED BLOCK DIAGRAM**

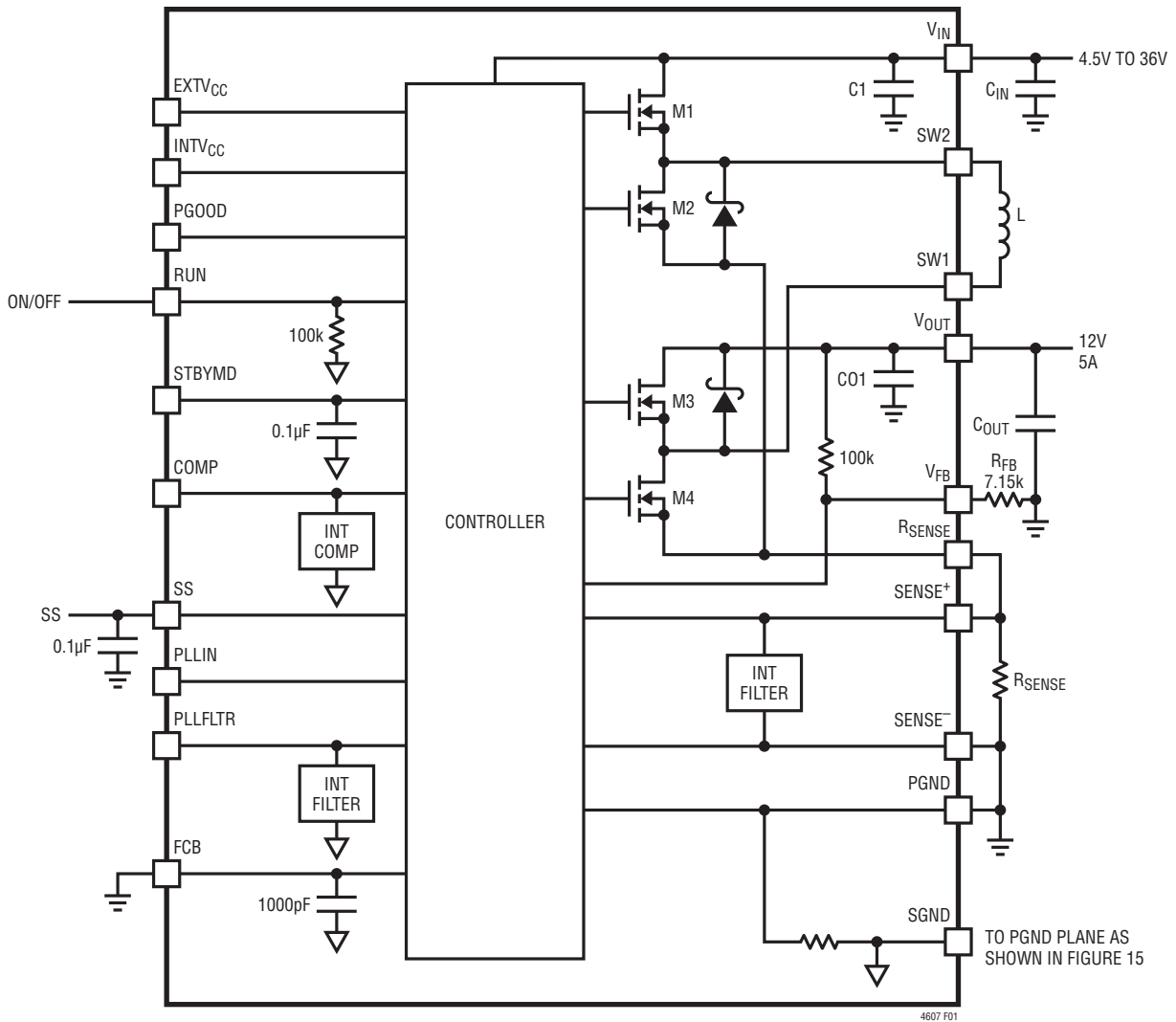


Figure 1. Simplified LTM4607 Block Diagram

**DECOUPLING REQUIREMENTS**  $T_A = 25^\circ\text{C}$ . Use Figure 1 configuration.

SYMBOL	PARAMETER	CONDITIONS	MIN	TYP	MAX	UNITS
$C_{IN}$	External Input Capacitor Requirement ( $V_{IN} = 4.5\text{V to }36\text{V}$ , $V_{OUT} = 12\text{V}$ )	$I_{OUT} = 5\text{A}$	10			$\mu\text{F}$
$C_{OUT}$	External Output Capacitor Requirement ( $V_{IN} = 4.5\text{V to }36\text{V}$ , $V_{OUT} = 12\text{V}$ )	$I_{OUT} = 5\text{A}$	200	300		$\mu\text{F}$



## OPERATION

### Power Module Description

The LTM4607 is a non-isolated buck-boost DC/DC power supply. It can deliver a wide range output voltage from 0.8V to 24V over a wide input range from 4.5V to 36V, by only adding the sensing resistor, inductor and some external input and output capacitors. It provides precisely regulated output voltage programmable via one external resistor. The typical application schematic is shown in Figure 18.

The LTM4607 has an integrated current mode buck-boost controller, ultralow  $R_{DS(ON)}$  FETs with fast switching speed and integrated Schottky diodes. With current mode control and internal feedback loop compensation, the LTM4607 module has sufficient stability margins and good transient performance under a wide range of operating conditions and with a wide range of output capacitors. The operating frequency of the LTM4607 can be adjusted from 200kHz to 400kHz by setting the voltage on the PLLFLTR pin.

Alternatively, its frequency can be synchronized by an in-put clock signal from the PLLIN pin. The typical switching frequency is 400kHz.

The Burst Mode and skip-cycle mode operations can be enabled at light loads to improve efficiency, while the forced continuous mode and discontinuous mode operations are used for constant frequency applications. Foldback current limiting is activated in an overcurrent condition as  $V_{FB}$  drops. Internal overvoltage and under-voltage comparators pull the open-drain PGOOD output low if the output feedback voltage exits the  $\pm 10\%$  window around the regulation point. Pulling the RUN pin below 1.6V forces the controller into its shutdown state.

If an external bias supply is applied on the EXTV<sub>CC</sub> pin, then an efficiency improvement will occur due to the reduced power loss in the internal linear regulator. This is especially true at the higher end of the input voltage range.

## APPLICATIONS INFORMATION

The typical LTM4607 application circuit is shown in Figure 18. External component selection is primarily determined by the maximum load current and output voltage. Refer to Table 3 for specific external capacitor requirements for a particular application.

### Output Voltage Programming

The PWM controller has an internal 0.8V reference voltage. As shown in Figure 1 (Block Diagram), a 100k internal feedback resistor connects  $V_{OUT}$  and  $V_{FB}$  pins together. Adding a resistor  $R_{FB}$  from the  $V_{FB}$  pin to the SGND pin programs the output voltage:

$$V_{OUT} = 0.8V \cdot \frac{100k + R_{FB}}{R_{FB}}$$

**Table 1.  $R_{FB}$  Resistor (0.5%) vs Output Voltage**

$V_{OUT}$	0.8V	1.5V	2.5V	3.3V	5V	6V	8V
$R_{FB}$	Open	115k	47.5k	32.4k	19.1k	15.4k	11k
$V_{OUT}$	9V	10V	12V	15V	16V	20V	24V
$R_{FB}$	9.76k	8.66k	7.15k	5.62k	5.23k	4.12k	3.4k

### Operation Frequency Selection

The LTM4607 uses current mode control architecture at constant switching frequency, which is determined by the internal oscillator's capacitor. This internal capacitor is charged by a fixed current plus an additional current that is proportional to the voltage applied to the PLLFLTR pin. The PLLFLTR pin can be grounded to lower the frequency to 200kHz or tied to 2.4V to yield approximately 400kHz. When PLLFLTR is left open, the PLLFLTR pin goes low, forcing the oscillator to its minimum frequency.

A graph for the voltage applied to the PLLFLTR pin vs frequency is given in Figure 2. As the operating frequency increases, the gate charge losses will be higher, thus the efficiency is lower. The maximum switching frequency is approximately 400kHz.

## FREQUENCY SYNCHRONIZATION

The LTM4607 can also be synchronized to an external source via the PLLIN pin instead of adjusting the voltage on the PLLFLTR pin directly. The power module has a phase-locked loop comprised of an internal voltage controlled

## APPLICATIONS INFORMATION

oscillator and a phase detector. This allows turning on the internal top MOSFET for locking to the rising edge of the external clock. A pulse detection circuit is used to detect a clock on the PLLIN pin to turn on the phase-locked loop. The input pulse width of the clock has to be at least 400ns, and 2V in amplitude. The synchronized frequency ranges from 200kHz to 400kHz, corresponding to a DC voltage input from 0V to 2.4V at PLLFLTR. During the start up of the regulator, the phase-locked loop function is disabled.

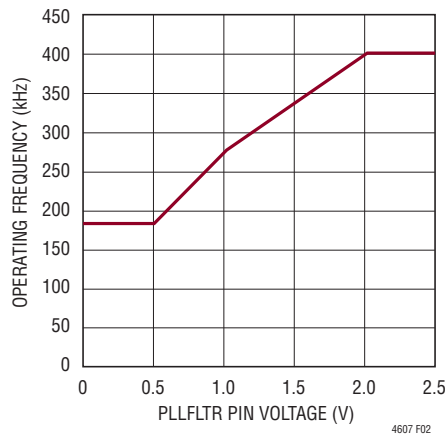


Figure 2. Frequency vs PLLFLTR Pin Voltage

### Low Current Operation

To improve efficiency at low output current operation, LTM4607 provides three modes for both buck and boost operations by accepting a logic input on the FCB pin. Table 2 shows the different operation modes.

Table 2. Different Operating Modes

FCB PIN	BUCK	BOOST
0V to 0.75V	Forced Continuous Mode	Forced Continuous Mode
0.85V to 5V	Skip-Cycle Mode	Burst Mode Operation
>5.3V	DCM with Constant Freq	DCM with Constant Freq

When the FCB pin voltage is lower than 0.8V, the controller behaves as a continuous, PWM current mode synchronous switching regulator. When the FCB pin voltage is below  $V_{INTV_{CC}} - 1V$ , but greater than 0.85V, the controller enters Burst Mode operation in boost operation or enters skip-cycle mode in buck operation. During boost operation, Burst Mode operation is activated if the load current is lower than the preset minimum output current level. The MOSFETs will turn on for several cycles, followed by a

variable “sleep” interval depending upon the load current. During buck operation, skip-cycle mode sets a minimum positive inductor current level. In this mode, some cycles will be skipped when the output load current drops below 1% of the maximum designed load in order to maintain the output voltage.

When the FCB pin voltage is tied to the  $INTV_{CC}$  pin, the controller enters constant frequency discontinuous current mode (DCM). For boost operation, if the output voltage is high enough, the controller can enter the continuous current buck mode for one cycle to discharge inductor current. In the following cycle, the controller will resume DCM boost operation. For buck operation, constant frequency discontinuous current mode is turned on if the preset minimum negative inductor current level is reached. At very light loads, this constant frequency operation is not as efficient as Burst Mode operation or skip-cycle, but does provide low noise, constant frequency operation.

### Input Capacitors

In boost mode, since the input current is continuous, only minimum input capacitors are required. However, the input current is discontinuous in buck mode. So the selection of input capacitor  $C_{IN}$  is driven by the need of filtering the input square wave current.

For a buck converter, the switching duty-cycle can be estimated as:

$$D = \frac{V_{OUT}}{V_{IN}}$$

Without considering the inductor current ripple, the RMS current of the input capacitor can be estimated as:

$$I_{CIN(RMS)} = \frac{I_{OUT(MAX)}}{\eta} \cdot \sqrt{D \cdot (1-D)}$$

In the above equation,  $\eta$  is the estimated efficiency of the power module.  $C_{IN}$  can be a switcher-rated electrolytic aluminum capacitor, OS-CON capacitor or high volume ceramic capacitors. Note the capacitor ripple current ratings are often based on temperature and hours of life. This makes it advisable to properly derate the input capacitor,

## APPLICATIONS INFORMATION

or choose a capacitor rated at a higher temperature than required. Always contact the capacitor manufacturer for derating requirements.

### Output Capacitors

In boost mode, the discontinuous current shifts from the input to the output, so the output capacitor  $C_{OUT}$  must be capable of reducing the output voltage ripple.

For boost and buck modes, the steady ripple due to charging and discharging the bulk capacitance is given by:

$$V_{RIPPLE,BOOST} = \frac{I_{OUT(MAX)} \cdot (V_{OUT} - V_{IN(MIN)})}{C_{OUT} \cdot V_{OUT} \cdot f}$$

$$V_{RIPPLE,BUCK} = \frac{V_{OUT} \cdot (V_{IN(MAX)} - V_{OUT})}{8 \cdot L \cdot C_{OUT} \cdot V_{IN(MAX)} \cdot f^2}$$

The steady ripple due to the voltage drop across the ESR (effective series resistance) is given by:

$$V_{ESR,BUCK} = \Delta I_{L(MAX)} \cdot ESR$$

$$V_{ESR,BOOST} = I_{L(MAX)} \cdot ESR$$

The LTM4607 is designed for low output voltage ripple. The bulk output capacitors defined as  $C_{OUT}$  are chosen with low enough ESR to meet the output voltage ripple and transient requirements.  $C_{OUT}$  can be the low ESR tantalum capacitor, the low ESR polymer capacitor or the ceramic capacitor. Multiple capacitors can be placed in parallel to meet the ESR and RMS current handling requirements. The typical capacitance is 300 $\mu$ F. Additional output filtering may be required by the system designer, if further reduction of output ripple or dynamic transient spike is required. Table 3 shows a matrix of different output voltages and output capacitors to minimize the voltage droop and overshoot at a current transient.

### Inductor Selection

The inductor is chiefly decided by the required ripple current and the operating frequency. The inductor current ripple  $\Delta I_L$  is typically set to 20% to 40% of the maximum

inductor current. In the inductor design, the worst cases in continuous mode are considered as follows:

$$L_{BOOST} \geq \frac{V_{IN} \cdot (V_{OUT(MAX)} - V_{IN})}{V_{OUT(MAX)} \cdot f \cdot I_{OUT(MAX)} \cdot \text{Ripple\%}}$$

$$L_{BUCK} \geq \frac{V_{OUT} \cdot (V_{IN(MAX)} - V_{OUT})}{V_{IN(MAX)} \cdot f \cdot I_{OUT(MAX)} \cdot \text{Ripple\%}}$$

where:

$f$  is operating frequency, Hz

Ripple% is allowable inductor current ripple, %

$V_{OUT(MAX)}$  is maximum output voltage, V

$V_{IN(MAX)}$  is maximum input voltage, V

$V_{OUT}$  is output voltage, V

$I_{OUT(MAX)}$  is maximum output load current, A

The inductor should have low DC resistance to reduce the  $I^2R$  losses, and must be able to handle the peak inductor current without saturation. To minimize radiated noise, use a toroid, pot core or shielded bobbin inductor. Please refer to Table 3 for the recommended inductors for different cases.

### R<sub>SENSE</sub> Selection and Maximum Output Current

$R_{SENSE}$  is chosen based on the required inductor current. Since the maximum inductor valley current at buck mode is much lower than the inductor peak current at boost mode, different sensing resistors are suggested for use in buck and boost modes.

The current comparator threshold sets the peak of the inductor current in boost mode and the maximum inductor valley current in buck mode. In boost mode, the allowed maximum average load current is:

$$I_{OUT(MAX,BOOST)} = \left( \frac{160\text{mV}}{R_{SENSE}} - \frac{\Delta I_L}{2} \right) \cdot \frac{V_{IN}}{V_{OUT}}$$

where  $\Delta I_L$  is peak-to-peak inductor ripple current.

## APPLICATIONS INFORMATION

In buck mode, the allowed maximum average load current is:

$$I_{OUT(MAX,BUCK)} = \frac{130\text{mV}}{R_{SENSE}} + \frac{\Delta I_L}{2}$$

The maximum current sensing  $R_{SENSE}$  value for the boost mode is:

$$R_{SENSE(MAX,BOOST)} = \frac{2 \cdot 160\text{mV} \cdot V_{IN}}{2 \cdot I_{OUT(MAX,BOOST)} \cdot V_{OUT} + \Delta I_L \cdot V_{IN}}$$

The maximum current sensing  $R_{SENSE}$  value for the buck mode is:

$$R_{SENSE(MAX,BUCK)} = \frac{2 \cdot 130\text{mV}}{2 \cdot I_{OUT(MAX,BUCK)} - \Delta I_L}$$

A 20% to 30% margin on the calculated sensing resistor is usually recommended. Please refer to Table 3 for the recommended sensing resistors for different applications.

### Soft-Start

The SS pin provides a means to soft-start the regulator. A capacitor on this pin will program the ramp rate of the output voltage. A 1.7 $\mu$ A current source will charge up the external soft-start capacitor. This will control the ramp of the internal reference and the output voltage. The total soft-start time can be calculated as:

$$t_{SOFTSTART} = \frac{2.4\text{V} \cdot C_{SS}}{1.7\mu\text{A}}$$

When the RUN pin falls below 1.6V, then soft-start pin is reset to allow for proper soft-start control when the regulator is enabled again. Current foldback and forced continuous mode are disabled during the soft-start process. The soft-start function can also be used to control the output ramp up time, so that another regulator can be easily tracked. Do not apply more than 6V to the SS pin.

### Run Enable

The RUN pin is used to enable the power module. The pin can be driven with a logic input, not to exceed 6V.

The RUN pin can also be used as an undervoltage lockout (UVLO) function by connecting a resistor from the input supply to the RUN pin. The equation:

$$V_{UVLO} = \frac{R1+R2}{R2} \cdot 1.6\text{V}$$

### Power Good

The PGOOD pin is an open drain pin that can be used to monitor valid output voltage regulation. This pin monitors a  $\pm 7.5\%$  window around the regulation point.

### COMP Pin

This pin is the external compensation pin. The module has already been internally compensated for most output voltages. A spice model is available for other control loop optimization.

### Fault Conditions: Current Limit and Overcurrent Foldback

LTM4607 has a current mode controller, which inherently limits the cycle-by-cycle inductor current not only in steady state operation, but also in transient. Refer to Table 3.

To further limit current in the event of an overload condition, the LTM4607 provides foldback current limiting. If the output voltage falls by more than 70%, then the maximum output current is progressively lowered to about 30% of its full current limit value for boost mode and about 40% for buck mode.

### Standby Mode (STBYMD)

The standby mode (STBYMD) pin provides several choices for start-up and standby operational modes. If the pin is pulled to ground, the SS pin is internally pulled to ground, preventing start-up and thereby providing a single control pin for turning off the controller. If the pin is

## APPLICATIONS INFORMATION

left open or decoupled with a capacitor to ground, the SS pin is internally provided with a starting current, permitting external control for turning on the controller. If the pin is connected to a voltage greater than 1.25V, the internal regulator (INTV<sub>CC</sub>) will be on even when the controller is shut down (RUN pin voltage < 1.6V). In this mode, the onboard 6V output linear regulator can provide power to keep-alive functions such as a keyboard controller.

### INTV<sub>CC</sub> and EXTV<sub>CC</sub>

An internal P-channel low dropout regulator produces 6V at the INTV<sub>CC</sub> pin from the V<sub>IN</sub> supply pin. INTV<sub>CC</sub> powers the control chip and internal circuitry within the module.

The LTM4607 also provides the external supply voltage pin EXTV<sub>CC</sub>. When the voltage applied to EXTV<sub>CC</sub> rises above 5.7V, the internal regulator is turned off and an internal switch connects the EXTV<sub>CC</sub> pin to the INTV<sub>CC</sub> pin thereby supplying internal power. The switch remains closed as long as the voltage applied to EXTV<sub>CC</sub> remains above 5.5V. This allows the MOSFET driver and control power to be derived from the output when (5.7V < V<sub>OUT</sub> < 7V) and from the internal regulator when the output is out of regulation (start-up, short-circuit). If more current is required through the EXTV<sub>CC</sub> switch than is specified, an external Schottky diode can be interposed between the EXTV<sub>CC</sub> and INTV<sub>CC</sub> pins. Ensure that EXTV<sub>CC</sub> ≤ V<sub>IN</sub>.

The following list summarizes the three possible connections for EXTV<sub>CC</sub>:

1. EXTV<sub>CC</sub> left open (or grounded). This will cause INTV<sub>CC</sub> to be powered from the internal 6V regulator at the cost of a small efficiency penalty.
2. EXTV<sub>CC</sub> connected directly to V<sub>OUT</sub> (5.7V < V<sub>OUT</sub> < 7V). This is the normal connection for a 6V regulator and provides the highest efficiency.
3. EXTV<sub>CC</sub> connected to an external supply. If an external supply is available in the 5.5V to 7V range, it may be used to power EXTV<sub>CC</sub> provided it is compatible with the MOSFET gate drive requirements.

### Thermal Considerations and Output Current Derating

In different applications, LTM4607 operates in a variety of thermal environments. The maximum output current is limited by the environmental thermal condition. Sufficient cooling should be provided to ensure reliable operation. When the cooling is limited, proper output current derating is necessary, considering ambient temperature, airflow, input/output condition, and the need for increased reliability.

The power loss curves in Figure 5 and Figure 6 can be used in coordination with the load current derating curves in Figure 7 to Figure 14 for calculating an approximate  $\theta_{JA}$  for the module. Column designation delineates between no heat sink, and a BGA heat sink. Each of the load current derating curves will lower the maximum load current as a function of the increased ambient temperature to keep the maximum junction temperature of the power module at 115°C allowing a safe margin for the maximum operating temperature below 125°C. Each of the derating curves and the power loss curve that corresponds to the correct output voltage can be used to solve for the approximate  $\theta_{JA}$  of the condition.

## DESIGN EXAMPLES

### Buck Mode Operation

As a design example, use input voltage V<sub>IN</sub> = 12V to 36V, V<sub>OUT</sub> = 12V and f = 400kHz.

Set the PLLFLTR pin at 2.4V or more for 400kHz frequency and connect FCB to ground for continuous current mode operation. If a divider is used to set the frequency as shown in Figure 16, the bottom resistor R3 is recommended not to exceed 1k $\Omega$ .

To set the output voltage at 12V, the resistor R<sub>FB</sub> from V<sub>FB</sub> pin to ground should be chosen as:

$$R_{FB} = \frac{0.8V \cdot 100k}{V_{OUT} - 0.8V} \approx 7.15k$$



## APPLICATIONS INFORMATION

To choose a proper inductor, we need to know the current ripples at different input voltages. The inductor should be chosen by considering the worst case in the practical operating region. If the maximum output power  $P$  is 120W at buck mode, we can get the current ripple ratio of the current ripple  $\Delta I_L$  to the maximum inductor current  $I_L$  as follows:

$$\frac{\Delta I_L}{I_L} = \frac{(V_{IN} - V_{OUT}) \cdot V_{OUT}^2}{V_{IN} \cdot L \cdot f \cdot P}$$

Figure 3. shows the current ripple ratio at different input voltages based on the inductor values: 2.5 $\mu$ H, 3.3 $\mu$ H, 4.7 $\mu$ H and 6 $\mu$ H. If we need about 40% ripple current ratio at all inputs, the 4.7 $\mu$ H inductor can be selected.

At buck mode, sensing resistor selection is based on the maximum output current and the allowed maximum sensing threshold 130mV.

$$R_{SENSE} = \frac{2 \cdot 130\text{mV}}{2 \cdot (P / V_{OUT}) - \Delta I_L}$$

Consider the safety margin about 30%, we can choose the sensing resistor as 9m $\Omega$ .

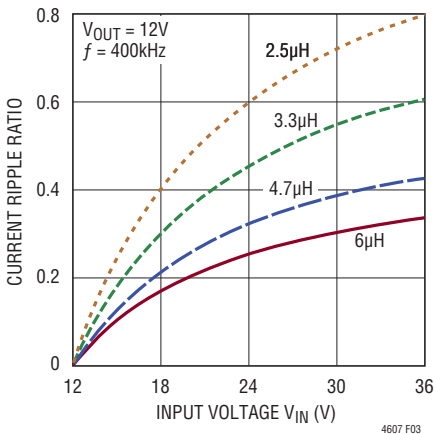


Figure 3. Current Ripple Ratio at Different Inputs for Buck Mode

For the input capacitor, use a low ESR sized capacitor to handle the maximum RMS current. Input capacitors are required to be placed adjacent to the module. In Figure 16, the 10 $\mu$ F ceramic input capacitors are selected for their ability to handle the large RMS current into the converter. The 100 $\mu$ F bulk capacitor is only needed if the input source impedance is compromised by long inductive leads or traces.

For the output capacitor, the output voltage ripple and transient requirements require low ESR capacitors. If assuming that the ESR dominates the output ripple, the output ripple is as follows:

$$\Delta V_{OUT(P-P)} = ESR \cdot \Delta I_L$$

If a total low ESR of about 5m $\Omega$  is chosen for output capacitors, the maximum output ripple of 21.5mV occurs at the input voltage of 36V with the current ripple at 4.3A.

### Boost Mode Operation

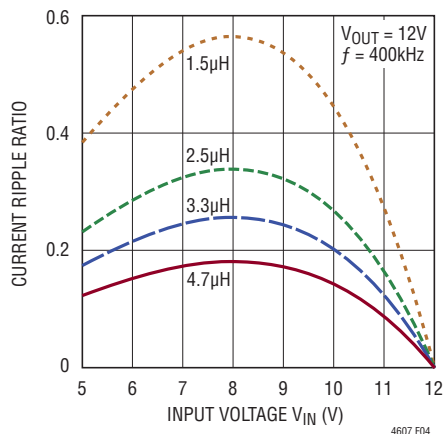
For boost mode operation, use input voltage  $V_{IN} = 5V$  to 12V,  $V_{OUT} = 12V$  and  $f = 400kHz$ .

Set the PLLFLTR pin and  $R_{FB}$  as in buck mode.

If the maximum output power  $P$  is 60W at boost mode and the module efficiency  $\eta$  is about 95%, we can get the current ripple ratio of the current ripple  $\Delta I_L$  to the maximum inductor current  $I_L$  as follows:

$$\frac{\Delta I_L}{I_L} = \frac{(V_{OUT} - V_{IN}) \cdot V_{IN}^2 \eta}{V_{OUT} \cdot L \cdot f \cdot P}$$

## APPLICATIONS INFORMATION



**Figure 4. Current Ripple Ratio at Different Inputs for Boost Mode**

Figure 4 shows the current ripple ratio at different input voltages based on the inductor values: 1.5µH, 2.5µH, 3.3µH and 4.7µH. If we need 30% ripple current ratio at all inputs, the 3.3µH inductor can be selected.

At boost mode, sensing resistor selection is based on the maximum input current and the allowed maximum sensing threshold 160mV.

$$R_{\text{SENSE}} = \frac{2 \cdot 160\text{mV}}{2 \cdot \frac{P}{\eta \cdot V_{\text{IN(MIN)}}} + \Delta I_L}$$

Consider the safety margin about 30%, we can choose the sensing resistor as 7mΩ.

For the input capacitor, only minimum capacitors are needed to handle the maximum RMS current, since it is a continuous input current at boost mode. A 100µF capacitor is only needed if the input source impedance is compromised by long inductive leads or traces.

Since the output capacitors at boost mode need to filter the square wave current, more capacitors are expected

to achieve the same output ripples as the buck mode. If assuming that the ESR dominates the output ripple, the output ripple is as follows:

$$\Delta V_{\text{OUT(P-P)}} = \text{ESR} \cdot I_{\text{L(MAX)}}$$

If a total low ESR about 5mΩ is chosen for output capacitors, the maximum output ripple of 70mV occurs at the input voltage of 5V with the peak inductor current at 14A.

An RC snubber is recommended on SW1 to obtain low switching noise, as shown in Figure 17.

### Wide Input Mode Operation

If a wide input range is required from 5V to 36V, the module will work in different operation modes. If input voltage  $V_{\text{IN}} = 5\text{V}$  to 36V,  $V_{\text{OUT}} = 12\text{V}$  and  $f = 400\text{kHz}$ , the design needs to consider the worst case in buck or boost mode design. Therefore, the maximum output power is limited to 60W. The sensing resistor is chosen at 7mΩ, the input capacitor is the same as the buck mode design and the output capacitor uses the boost mode design. Since the maximum output ripple normally occurs at boost mode in the wide input mode design, more inductor ripple current, up to 150% of the inductor current, is allowed at buck mode to meet the ripple design requirement. Thus, a 3.3µH inductor is chosen at the wide input mode. The maximum output ripple voltage is still 70mV if the total ESR is about 5mΩ.

Additionally, the current limit may become very high when the module runs at buck mode due to the low sensing resistor used in the wide input mode operation.

### Safety Considerations

The LTM4607 modules do not provide isolation from  $V_{\text{IN}}$  to  $V_{\text{OUT}}$ . There is no internal fuse. If required, a slow blow fuse with a rating twice the maximum input current needs to be provided to protect each unit from catastrophic failure.



## APPLICATIONS INFORMATION

**Table 3. Typical Components (f = 400kHz)**

C <sub>OUT1</sub> VENDORS	PART NUMBER	C <sub>OUT2</sub> VENDORS	PART NUMBER
TDK	C4532X7R1E226M (22μF, 25V)	Sanyo	16SVP180MX (180μF, 16V), 20SVP150MX (150μF, 20V)
INDUCTOR VENDORS	PART NUMBER	R <sub>SENSE</sub> VENDORS	PART NUMBER
Toko	FDA1254	Vishay	Power Metal Strip Resistors WSL1206-18
Sumida	CDEP134, CDEP145, CDEP147	Panasonic	Thick Film Chip Resistors ERJ12

V <sub>IN</sub> (V)	V <sub>OUT</sub> (V)	R <sub>SENSE</sub> (0.5W RATING)	Inductor (μH)	C <sub>IN</sub> (CERAMIC)	C <sub>IN</sub> (BULK)	C <sub>OUT1</sub> (CERAMIC)	C <sub>OUT2</sub> (BULK)	I <sub>OUT(MAX)</sub> * (A)
12	5	18mΩ × 2 0.5W	2.2	10μF × 2 25V	150μF 35V	22μF × 2 25V	180μF × 2 16V	12
20	5	18mΩ × 2 0.5W	2.5	10μF × 2 25V	150μF 35V	22μF × 2 25V	180μF × 2 16V	12
24	5	18mΩ × 2 0.5W	2.5	10μF × 2 25V	150μF 35V	22μF × 2 25V	180μF × 2 16V	12
32	5	20mΩ × 2 0.5W	3.3	10μF × 2 50V	150μF 35V	22μF × 2 25V	180μF × 2 16V	10
36	5	20mΩ × 2 0.5W	3.3	10μF × 2 50V	150μF 50V	22μF × 2 25V	180μF × 2 16V	10
5	8	16mW × 2 0.5W	1.5	None	150μF 35V	22μF × 4 25V	180μF × 2 16V	7
12	8	18mΩ × 2 0.5W	2.2	10μF × 2 25V	150μF 35V	22μF × 2 25V	180μF × 2 16V	12
20	8	20mW × 2 0.5W	3.3	10μF × 2 25V	150μF 35V	22μF × 2 25V	180μF × 2 16V	11
24	8	20mΩ × 2 0.5W	3.3	10μF × 2 25V	150μF 35V	22μF × 2 25V	180μF × 2 16V	11
32	8	20mΩ × 2 0.5W	4.7	10μF × 2 50V	150μF 35V	22μF × 2 25V	180μF × 2 16V	10
36	8	22mΩ × 2 0.5W	4.7	10μF × 2 50V	150μF 50V	22μF × 2 25V	180μF × 2 16V	10
5	10	16mW × 2 0.5W	2.2	None	150μF 35V	22μF × 4 25V	180μF × 2 16V	6
15	10	18mW × 2 0.5W	2.2	10μF × 2 25V	150μF 35V	22μF × 2 25V	180μF × 2 16V	12
20	10	20mW × 2 0.5W	3.3	10μF × 2 25V	150μF 35V	22μF × 2 25V	180μF × 2 16V	11
24	10	18mΩ × 2 0.5W	3.3	10μF × 2 25V	150μF 35V	22μF × 2 25V	180μF × 2 16V	11
32	10	22mΩ × 2 0.5W	4.7	10μF × 2 50V	150μF 35V	22μF × 2 25V	180μF × 2 16V	10
36	10	22mΩ × 2 0.5W	4.7	10μF × 2 50V	150μF 50V	22μF × 2 25V	180μF × 2 16V	10
6	12	14mΩ × 2 0.5W	2.2	None	150μF 35V	22μF × 4 25V	180μF × 2 16V	6
16	12	16mW × 2 0.5W	2.2	10μF × 2 25V	150μF 35V	22μF × 2 25V	180μF × 2 16V	12
20	12	18mW × 2 0.5W	3.3	10μF × 2 25V	150μF 35V	22μF × 2 25V	180μF × 2 16V	12
24	12	18mΩ × 2 0.5W	3.3	10μF × 2 25V	150μF 35V	22μF × 2 25V	180μF × 2 16V	11
32	12	22mΩ × 2 0.5W	4.7	10μF × 2 50V	150μF 35V	22μF × 2 25V	180μF × 2 16V	10
36	12	22mΩ × 2 0.5W	4.7	10μF × 2 50V	150μF 50V	22μF × 2 25V	180μF × 2 16V	10
5	16	18mW × 2 0.5W	3.3	None	150μF 35V	22μF × 4 25V	150μF × 2 20V	3
8	16	16mW × 2 0.5W	3.3	None	150μF 35V	22μF × 4 25V	150μF × 2 20V	6
12	16	14mW × 2 0.5W	2.2	None	150μF 35V	22μF × 4 25V	150μF × 2 20V	9
20	16	20mW × 2 0.5W	2.2	10μF × 2 25V	150μF 35V	22μF × 2 25V	150μF × 2 20V	11
24	16	20mΩ × 2 0.5W	3.3	10μF × 2 25V	150μF 35V	22μF × 2 25V	150μF × 2 20V	11
32	16	22mΩ × 2 0.5W	4.7	10μF × 2 50V	150μF 35V	22μF × 2 25V	150μF × 2 20V	10
36	16	22mΩ × 2 0.5W	6	10μF × 2 50V	150μF 50V	22μF × 2 25V	150μF × 2 20V	10
5	20	18mΩ × 2 0.5W	3.3	NONE	150μF 50V	22μF × 4 25V	150μF × 2 50V	2.5
10	20	18mΩ × 2 0.5W	3.3	None	150μF 50V	22μF × 4 25V	150μF × 2 50V	5
32	20	12mΩ × 1 0.5W	6	10μF × 2 50V	150μF 50V	22μF × 2 25V	150μF × 2 50V	9

## APPLICATIONS INFORMATION

**Table 3. Typical Components (f = 400kHz)**

V <sub>IN</sub> (V)	V <sub>OUT</sub> (V)	R <sub>SENSE</sub> (0.5W RATING)	Inductor (μH)	C <sub>IN</sub> (CERAMIC)	C <sub>IN</sub> (BULK)	C <sub>OUT1</sub> (CERAMIC)	C <sub>OUT2</sub> (BULK)	I <sub>OUT(MAX)</sub> * (A)
36	20	13mΩ ×1 0.5W	8	10μF ×2 50V	150μF 50V	22μF ×2 25V	150μF ×2 50V	8
5	24	16mΩ ×2 0.5W	3.3	None	150μF 50V	22μF ×4 25V	150μF ×2 50V	2
12	24	18mΩ ×2 0.5W	4.7	None	150μF 50V	22μF ×4 25V	150μF ×2 50V	5
32	24	14mΩ ×1 0.5W	4.7	10μF ×2 50V	150μF 50V	22μF ×2 25V	150μF ×2 50V	8
36	24	13mΩ ×1 0.5W	7	10μF ×2 50V	150μF 50V	22μF ×2 25V	150μF ×2 50V	8

INDUCTOR MANUFACTURER	WEBSITE
Sumida	www.sumida.com
Toko	www.toko.com

SENSING RESISTOR MANUFACTURER	WEBSITE
Panasonic	www.panasonic.com/industrial/components
KOA	www.koaspeer.com
Vishay	www.vishay.com

\*Maximum load current is based on the Analog Devices demo board DC1198A at room temperature with natural convection. Poor board layout design may decrease the maximum load current.

**Table 4. Boost Mode**

DERATING CURVE	V <sub>OUT</sub> (V)	POWER LOSS CURVE	AIR FLOW (LFM)	HEAT SINK	θ <sub>JA</sub> (°C/W)*
Figure 7, Figure 9	12, 16	Figure 5	0	None	11.4
Figure 7, Figure 9	12, 16	Figure 5	200	None	8.5
Figure 7, Figure 9	12, 16	Figure 5	400	None	7.5
Figure 8, Figure 10	12, 16	Figure 5	0	BGA Heat Sink	11.0
Figure 8, Figure 10	12, 16	Figure 5	200	BGA Heat Sink	7.9
Figure 8, Figure 10	12, 16	Figure 5	400	BGA Heat Sink	7.1

**Table 5. Buck Mode**

DERATING CURVE	V <sub>OUT</sub> (V)	POWER LOSS CURVE	AIR FLOW (LFM)	HEAT SINK	θ <sub>JA</sub> (°C/W)*
Figure 11, Figure 13	12, 20	Figure 6	0	None	8.2
Figure 11, Figure 13	12, 20	Figure 6	200	None	5.9
Figure 11, Figure 13	12, 20	Figure 6	400	None	5.4
Figure 12, Figure 14	12, 20	Figure 6	0	BGA Heat Sink	7.5
Figure 12, Figure 14	12, 20	Figure 6	200	BGA Heat Sink	5.3
Figure 12, Figure 14	12, 20	Figure 6	400	BGA Heat Sink	4.8

HEAT SINK MANUFACTURER	PART NUMBER
Wakefield Engineering	LTN20069
Aavid Thermalloy	375424B00034G

\*The results of thermal resistance from junction to ambient θ<sub>JA</sub> are based on the demo board DC 1198A. Thus, the maximum temperature on board is treated as the junction temperature (which is in the μModule for most cases) and the power losses from all components are counted for calculations. It has to be mentioned that poor board design may increase the θ<sub>JA</sub>.

APPLICATIONS INFORMATION

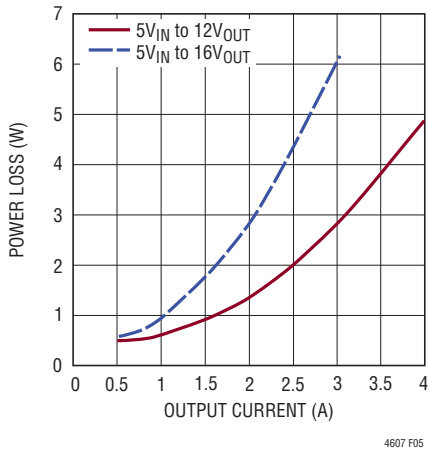


Figure 5. Boost Mode Operation

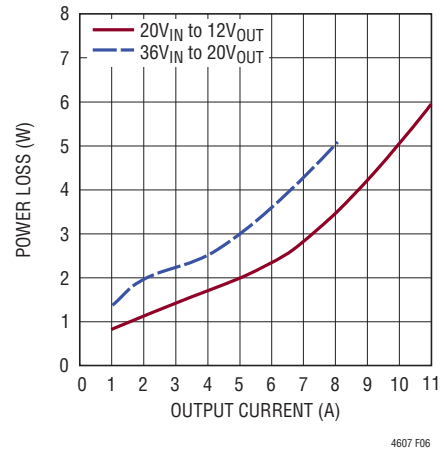


Figure 6. Buck Mode Operation

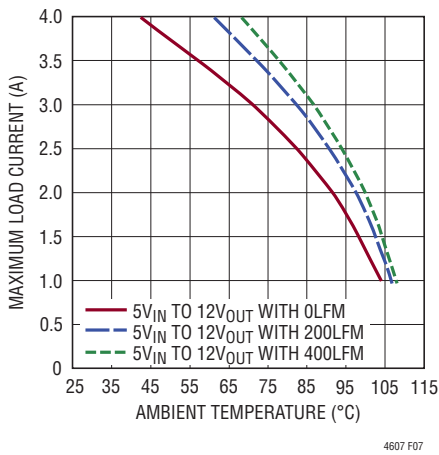


Figure 7. 5V<sub>IN</sub> to 12V<sub>OUT</sub> without Heat Sink

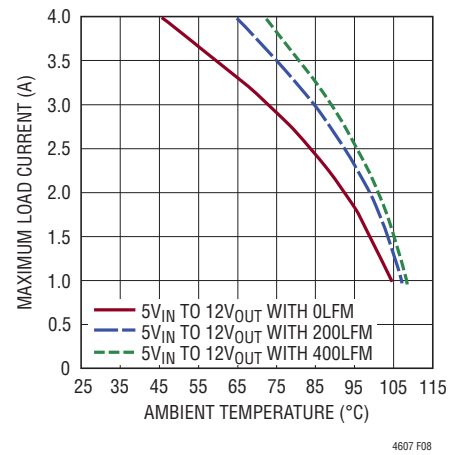


Figure 8. 5V<sub>IN</sub> to 12V<sub>OUT</sub> with Heat Sink

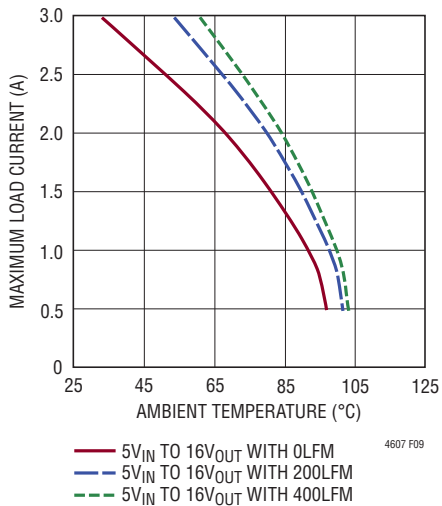


Figure 9. 5V<sub>IN</sub> to 16V<sub>OUT</sub> without Heat Sink

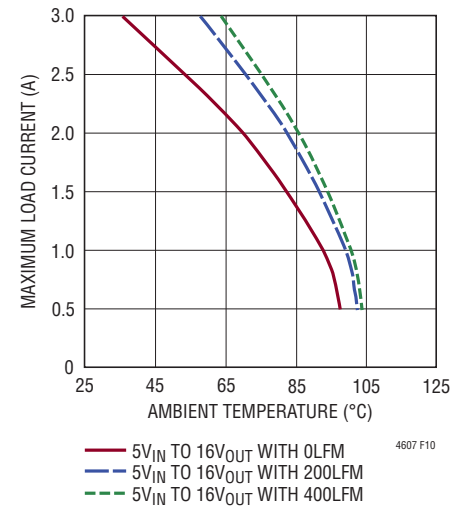


Figure 10. 5V<sub>IN</sub> to 16V<sub>OUT</sub> with Heat Sink

## APPLICATIONS INFORMATION

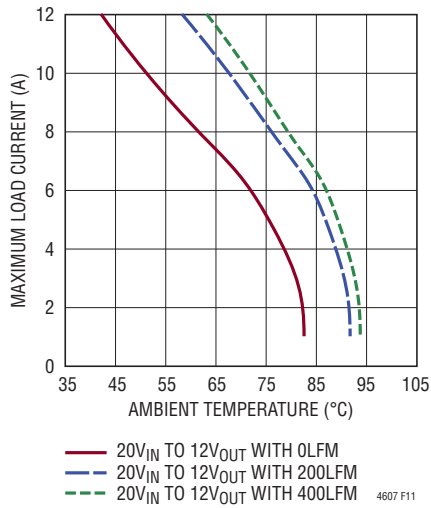


Figure 11. 20V<sub>IN</sub> to 12V<sub>OUT</sub> without Heat Sink

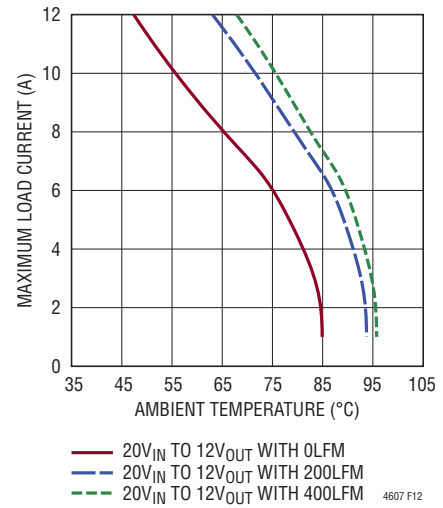


Figure 12. 20V<sub>IN</sub> to 12V<sub>OUT</sub> with Heat Sink

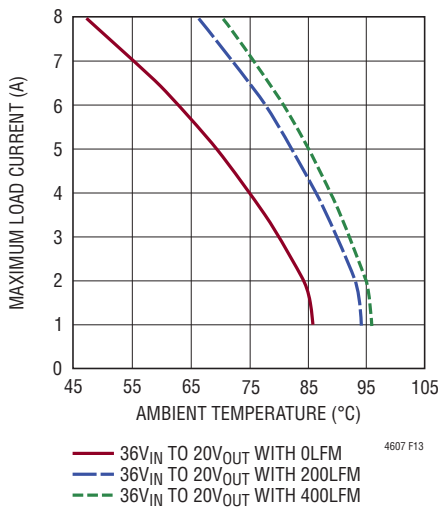


Figure 13. 36V<sub>IN</sub> to 20V<sub>OUT</sub> without Heat Sink

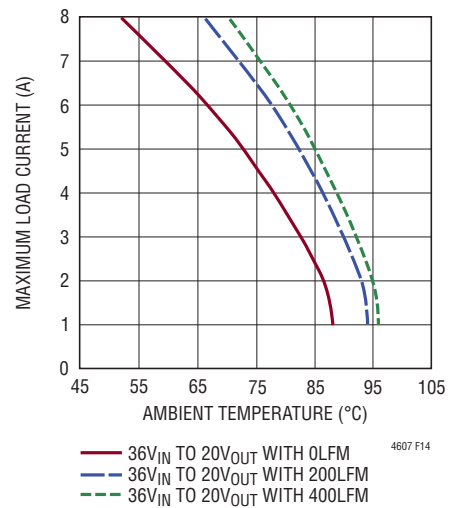


Figure 14. 36V<sub>IN</sub> to 20V<sub>OUT</sub> with Heat Sink

## APPLICATIONS INFORMATION

### Layout Checklist/Example

The high integration of LTM4607 makes the PCB board layout very simple and easy. However, to optimize its electrical and thermal performance, some layout considerations are still necessary.

- Use large PCB copper areas for high current path, including  $V_{IN}$ ,  $R_{SENSE}$ , SW1, SW2, PGND and  $V_{OUT}$ . It helps to minimize the PCB conduction loss and thermal stress.
- Place high frequency input and output ceramic capacitors next to the  $V_{IN}$ , PGND and  $V_{OUT}$  pins to minimize high frequency noise
- Route  $SENSE^-$  and  $SENSE^+$  leads together with minimum PC trace spacing. Avoid sense lines passing through noisy areas, such as switch nodes.
- Place a dedicated power ground layer underneath the unit.
- To minimize the via conduction loss and reduce module thermal stress, use multiple vias for interconnection between the top layer and other power layers
- Do not put vias directly on pads, unless the vias are capped.
- Use a separated SGND ground copper area for components connected to signal pins. Connect the SGND to PGND underneath the unit.

Figure 15. gives a good example of the recommended layout.

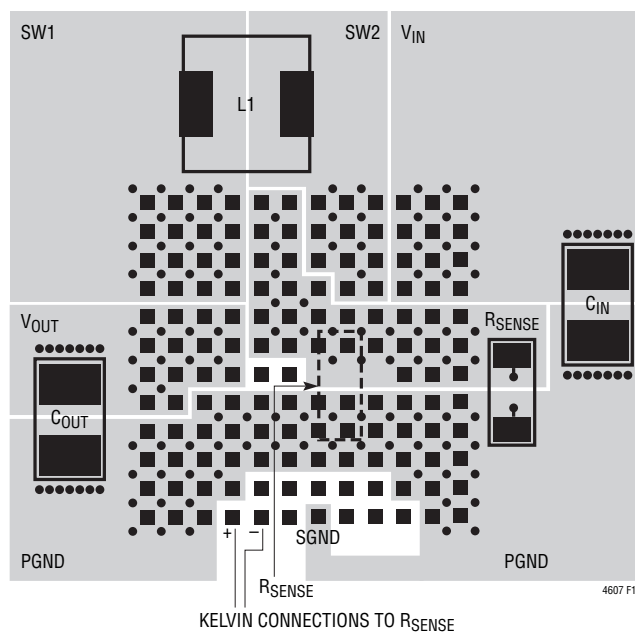


Figure 15. Recommended PCB Layout

## TYPICAL APPLICATIONS

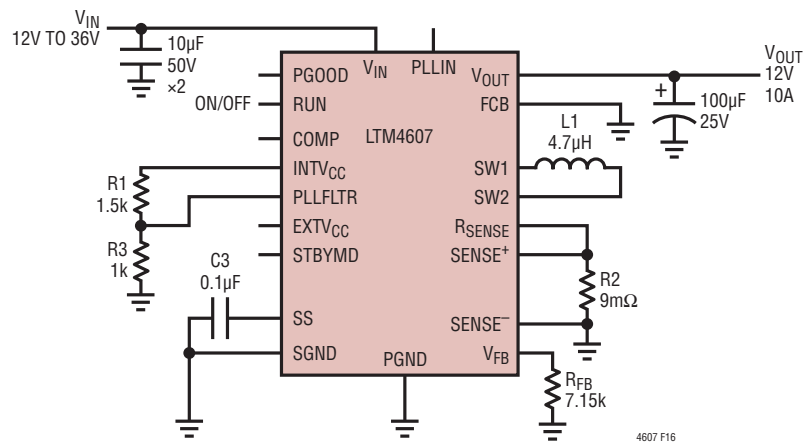


Figure 16. Buck Mode Operation with 12V to 36V Input

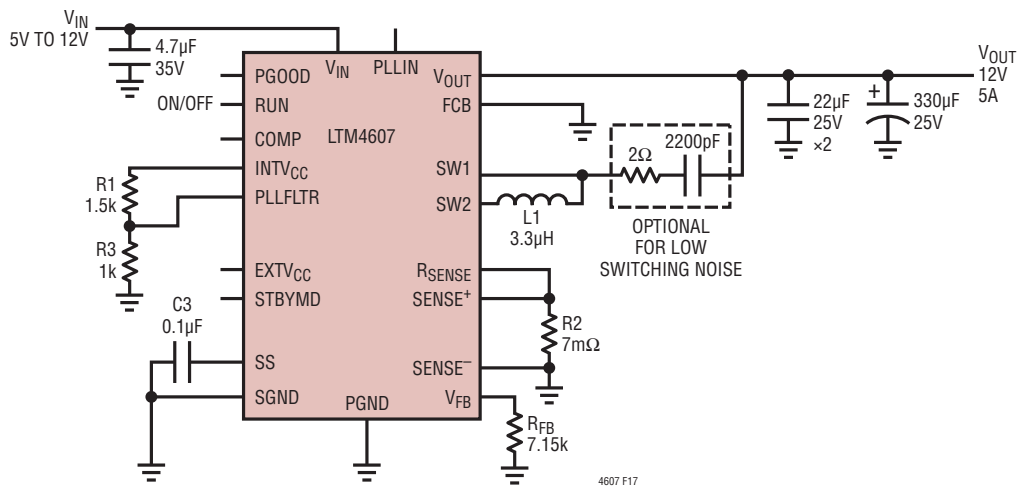


Figure 17. Boost Mode Operation with 5V to 12V Input with Low Switching Noise (Optional)

## TYPICAL APPLICATIONS

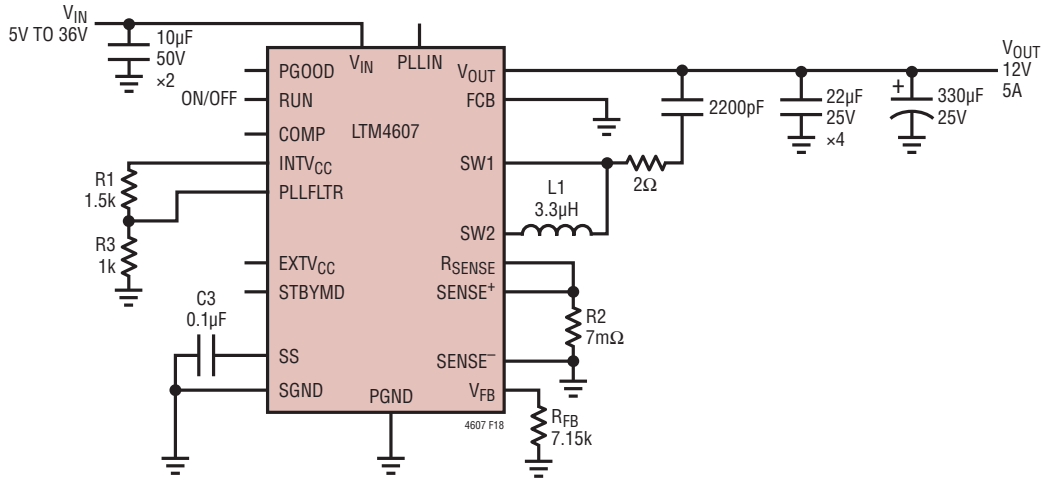


Figure 18. Wide Input Mode with 5V to 36V Input, 12V at 5A Output

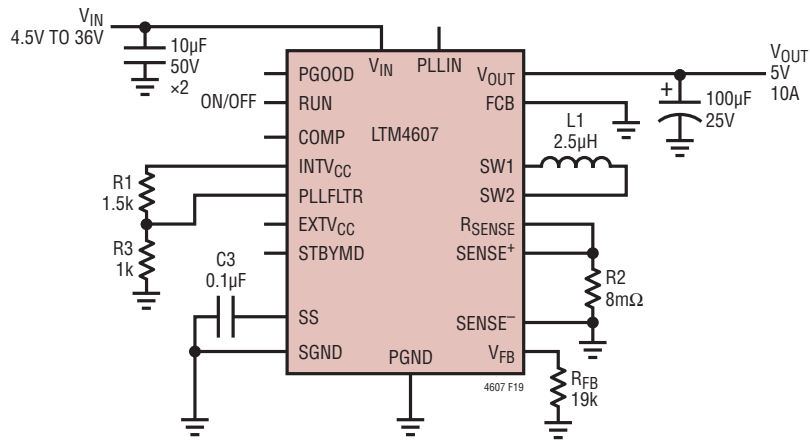


Figure 19. 5V at 10A Design



TYPICAL APPLICATIONS

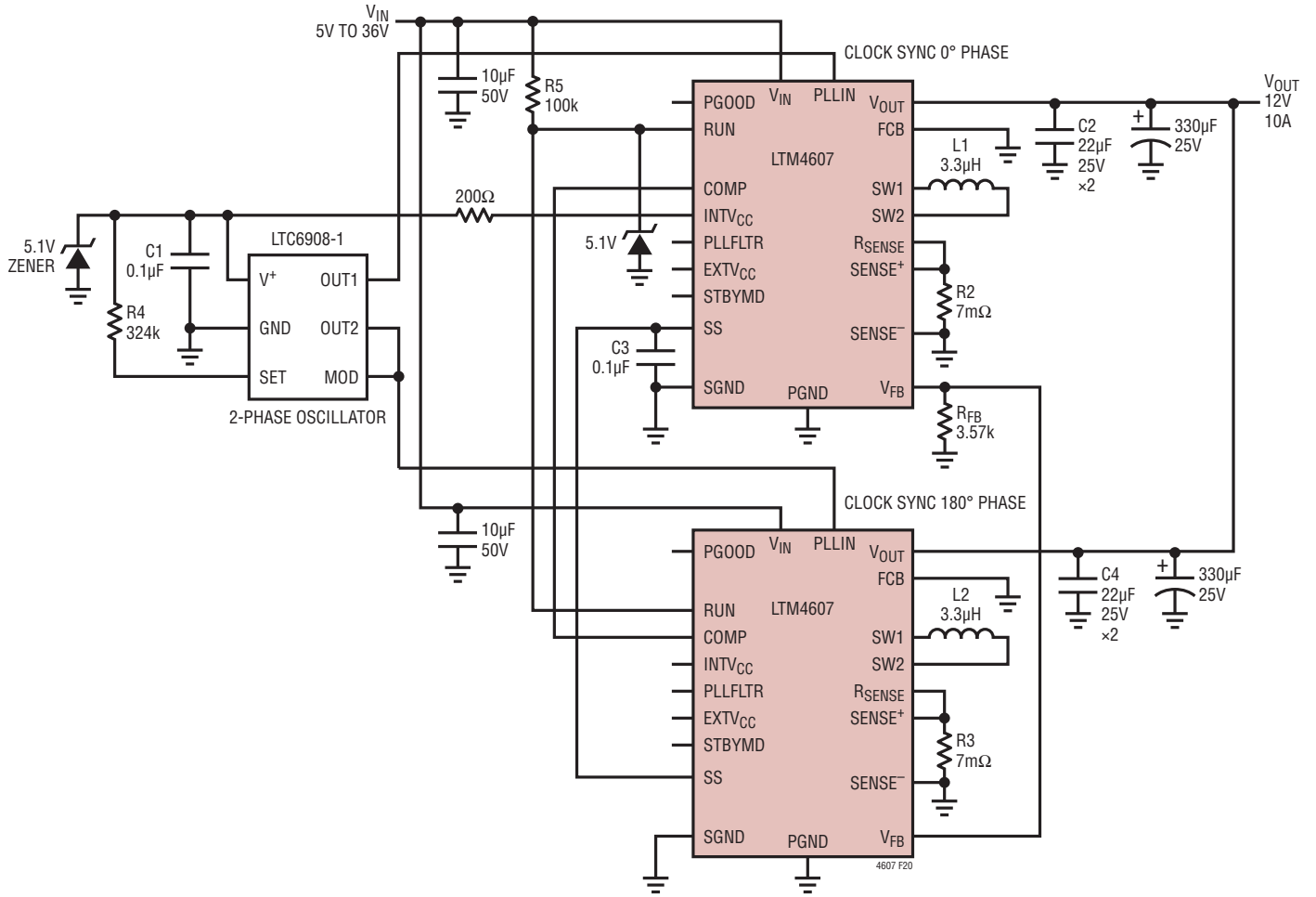


Figure 20. Two-Phase Parallel, 12V at 10A Design

## TYPICAL APPLICATIONS

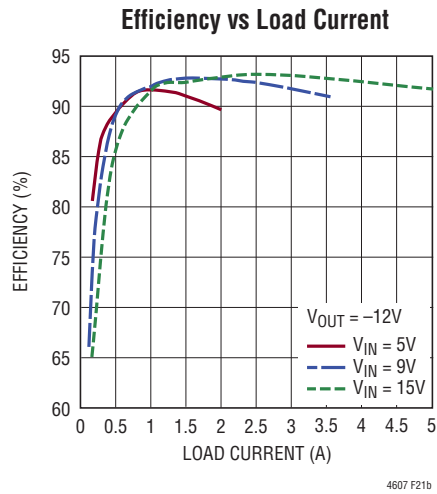
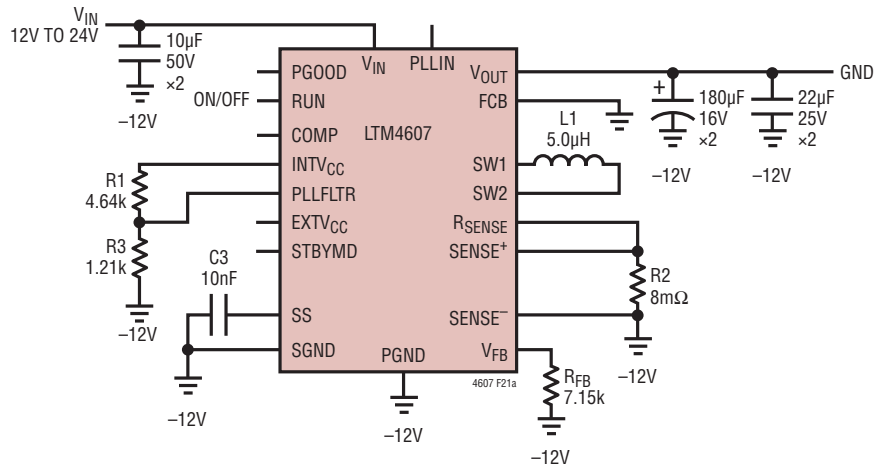


Figure 21. Buck Mode Operation with Positive to Negative -12V Output

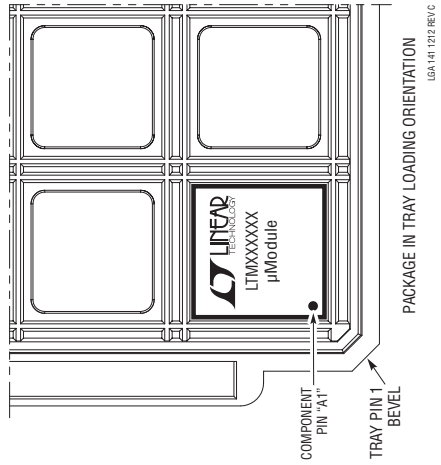
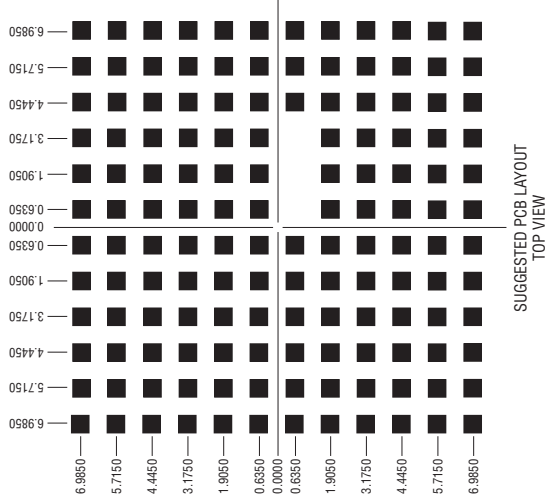
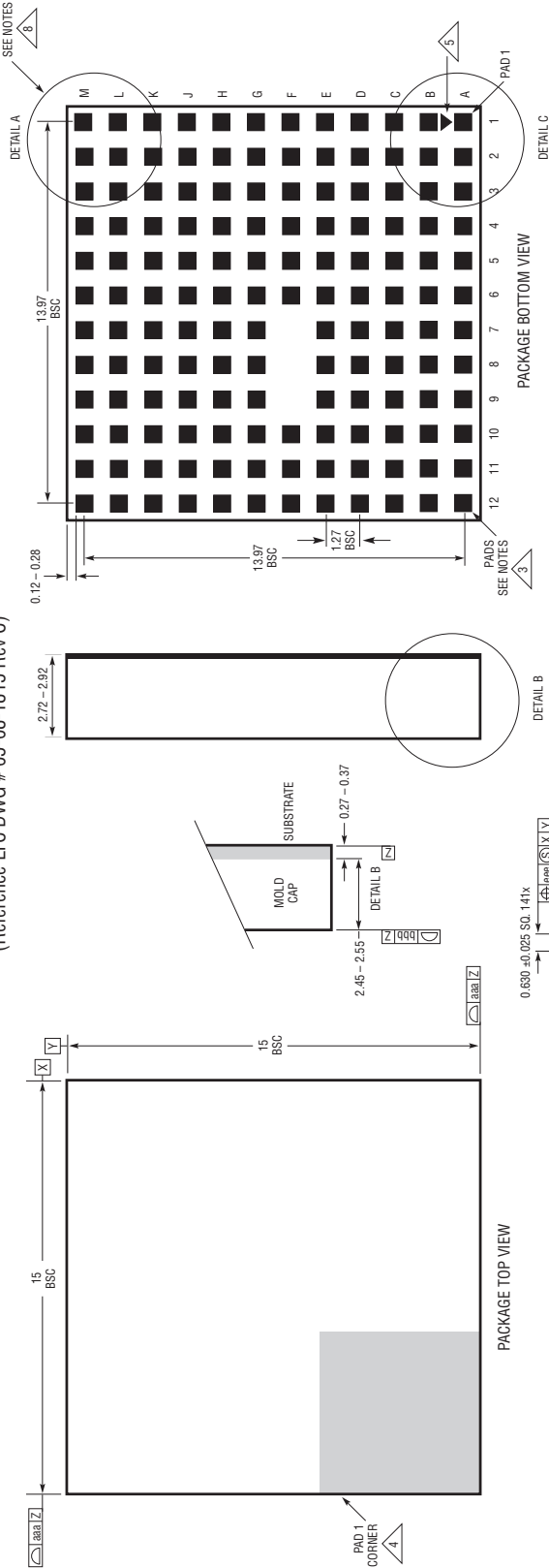
## PACKAGE DESCRIPTION

**Table 6. Pin Assignment (Arranged by Pin Number)**

PIN NAME	PIN NAME	PIN NAME	PIN NAME	PIN NAME	PIN NAME
A1 PGND	C1 PGND	E1 V <sub>OUT</sub>	G1 V <sub>OUT</sub>	J1 SW1	L1 SW1
A2 PGND	C2 PGND	E2 V <sub>OUT</sub>	G2 V <sub>OUT</sub>	J2 SW1	L2 SW1
A3 PGND	C3 PGND	E3 PGND	G3 V <sub>OUT</sub>	J3 SW1	L3 SW1
A4 SENSE <sup>+</sup>	C4 PGND	E4 PGND	G4 V <sub>OUT</sub>	J4 SW1	L4 SW1
A5 SENSE <sup>-</sup>	C5 PGND	E5 PGND	G5 R <sub>SENSE</sub>	J5 R <sub>SENSE</sub>	L5 R <sub>SENSE</sub>
A6 SS	C6 PGND	E6 PGND	G6 R <sub>SENSE</sub>	J6 R <sub>SENSE</sub>	L6 R <sub>SENSE</sub>
A7 SGND	C7 PGND	E7 PGND	G7 R <sub>SENSE</sub>	J7 R <sub>SENSE</sub>	L7 SW2
A8 RUN	C8 PGND	E8 PGND	G8 R <sub>SENSE</sub>	J8 SW2	L8 SW2
A9 FCB	C9 PGND	E9 PGND	G9 R <sub>SENSE</sub>	J9 SW2	L9 SW2
A10 STBYMD	C10 PGND	E10 PGND	G10 R <sub>SENSE</sub>	J10 V <sub>IN</sub>	L10 V <sub>IN</sub>
A11 PGND	C11 PGND	E11 PGND	G11 R <sub>SENSE</sub>	J11 V <sub>IN</sub>	L11 V <sub>IN</sub>
A12 PGND	C12 PGND	E12 PGND	G12 R <sub>SENSE</sub>	J12 V <sub>IN</sub>	L12 V <sub>IN</sub>
B1 PGND	D1 PGND	F1 V <sub>OUT</sub>	H1 V <sub>OUT</sub>	K1 SW1	M1 SW1
B2 PGND	D2 PGND	F2 V <sub>OUT</sub>	H2 V <sub>OUT</sub>	K2 SW1	M2 SW1
B3 PGND	D3 PGND	F3 V <sub>OUT</sub>	H3 V <sub>OUT</sub>	K3 SW1	M3 SW1
B4 PGND	D4 PGND	F4 V <sub>OUT</sub>	H4 V <sub>OUT</sub>	K4 SW1	M4 SW1
B5 PGOOD	D5 PGND	F5 INTV <sub>CC</sub>	H5 R <sub>SENSE</sub>	K5 R <sub>SENSE</sub>	M5 R <sub>SENSE</sub>
B6 V <sub>FB</sub>	D6 PGND	F6 EXT <sub>V</sub> <sub>CC</sub>	H6 R <sub>SENSE</sub>	K6 R <sub>SENSE</sub>	M6 R <sub>SENSE</sub>
B7 COMP	D7 PGND	F7 –	H7 R <sub>SENSE</sub>	K7 SW2	M7 SW2
B8 PLLFLTR	D8 PGND	F8 –	H8 R <sub>SENSE</sub>	K8 SW2	M8 SW2
B9 PLLIN	D9 PGND	F9 –	H9 R <sub>SENSE</sub>	K9 SW2	M9 SW2
B10 PGND	D10 PGND	F10 R <sub>SENSE</sub>	H10 R <sub>SENSE</sub>	K10 V <sub>IN</sub>	M10 V <sub>IN</sub>
B11 PGND	D11 PGND	F11 R <sub>SENSE</sub>	H11 R <sub>SENSE</sub>	K11 V <sub>IN</sub>	M11 V <sub>IN</sub>
B12 PGND	D12 PGND	F12 R <sub>SENSE</sub>	H12 R <sub>SENSE</sub>	K12 V <sub>IN</sub>	M12 V <sub>IN</sub>

PACKAGE DESCRIPTION

**LGA Package**  
**141-Lead (15mm × 15mm × 2.82mm)**  
 (Reference LTC DWG # 05-08-1815 Rev C)



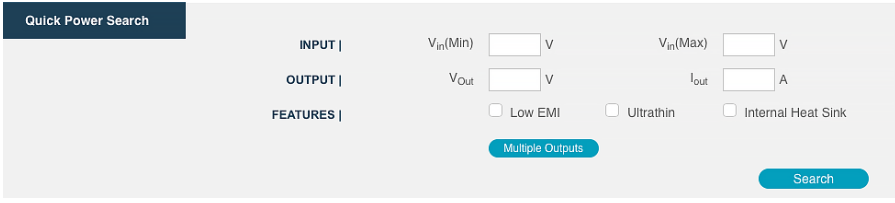
- NOTES:
1. DIMENSIONING AND TOLERANCING PER ASME Y14.5M-1994
  2. ALL DIMENSIONS ARE IN MILLIMETERS
  3. LAND DESIGNATION PER JEDEC MO-222, SPP-010
  4. DETAILS OF PAD #1 IDENTIFIER ARE OPTIONAL, BUT MUST BE LOCATED WITHIN THE ZONE INDICATED. THE PAD #1 IDENTIFIER MAY BE EITHER A MOLD OR MARKED FEATURE
  5. PAD #1 IDENTIFIER ON THE PACKAGE BOTTOM, CAN BE SHIPPED WITH OR WITHOUT A TRIANGLE MARKER.
  6. PRIMARY DATUM -Z- IS SEATING PLANE
  7. THE TOTAL NUMBER OF PADS: 141
  8. PACKAGE ROW AND COLUMN LABELING MAY VARY AMONG μModule PRODUCTS. REVIEW EACH PACKAGE LAYOUT CAREFULLY

SYMBOL	TOLERANCE
aaa	0.15
bbb	0.10
eee	0.05

**REVISION HISTORY** (Revision history begins at Rev B)

REV	DATE	DESCRIPTION	PAGE NUMBER
B	01/11	Updated the Absolute Maximum Ratings section.	2
		Updated $V_{FB}$ in the Electrical Characteristics section.	4
		Updated Note 2, added Note 6.	4
		Updated FCB description in the Pin Functions section.	7
		Updated the simplified Block Diagram.	8
		Updated the Output Voltage Programming in the Applications Information section.	9
		Added text to Figure 3 and Figure 4.	14, 15
		Updated Figure 20.	23
		Added new Figure 21.	23
		Updated Related Parts table.	28
C	04/14	Updated the Order Information table.	2
		Updated schematic drawings.	21-23
D	11/22	Added pin labels to Pin Configuration drawing and changed lead to pin.	2
		Changed MSL Rating to 4.	2
		Rearranged Pin Functions alphanumeric.	7
		Deleted Manufacturer's phone numbers.	17
		Added Design Resources section.	28
Updated Related Parts section.	28		

## DESIGN RESOURCES

SUBJECT	DESCRIPTION
<a href="#">µModule Design and Manufacturing Resources</a>	<p>Design:</p> <ul style="list-style-type: none"> <li>• Selector Guides</li> <li>• Demo Boards and Gerber Files</li> <li>• Free Simulation Tools</li> </ul> <p>Manufacturing:</p> <ul style="list-style-type: none"> <li>• Quick Start Guide</li> <li>• PCB Design, Assembly and Manufacturing Guidelines</li> <li>• Package and Board Level Reliability</li> </ul>
<a href="#">µModule Regulator Products Search</a>	<p>1. Sort table of products by parameters and download the result as a spread sheet. 2. Search using the Quick Power Search parametric table.</p> 
<a href="#">Digital Power System Management</a>	Analog Devices' family of digital power supply management ICs are highly integrated solutions that offer essential functions, including power supply monitoring, supervision, margining and sequencing, and feature EEPROM for storing user configurations and fault logging.

## RELATED PARTS

PART NUMBER	DESCRIPTION	COMMENTS
<a href="#">LTM4605</a>	20V <sub>IN</sub> , 16V <sub>OUT</sub> Buck-Boost µModule Regulator; External Inductor	4.5V ≤ V <sub>IN</sub> ≤ 20V, 0.8V ≤ V <sub>OUT</sub> ≤ 16V; 15mm × 15mm × 2.8mm BGA
<a href="#">LTM4609</a>	36V <sub>IN</sub> , 36V <sub>OUT</sub> Buck-Boost µModule Regulator; External Inductor	4.5V ≤ V <sub>IN</sub> ≤ 36V, 0.8V ≤ V <sub>OUT</sub> ≤ 34V; 15mm × 15mm × 2.82mm LGA; 15mm × 15mm × 3.42mm BGA
<a href="#">LTM4693</a>	Ultrathin, Low V <sub>IN</sub> , 2A Buck-Boost µModule Regulator	2.6V ≤ V <sub>IN</sub> ≤ 5.5V, 1.8V ≤ V <sub>OUT</sub> ≤ 5.5V; 3.5mm × 4mm × 1.25mm LGA
<a href="#">LTM8054</a>	36V <sub>IN</sub> , 36V <sub>OUT</sub> , 5.4A Buck-Boost µModule Regulator	5V ≤ V <sub>IN</sub> ≤ 36V, 1.2V ≤ V <sub>OUT</sub> ≤ 36V; 11.25mm × 15mm × 3.42mm BGA
<a href="#">LTM8055</a>	36V <sub>IN</sub> , 36V <sub>OUT</sub> , 8.5A Buck-Boost µModule Regulator	5V ≤ V <sub>IN</sub> ≤ 36V, 1.2V ≤ V <sub>OUT</sub> ≤ 36V; 15mm × 15mm × 4.92mm BGA
<a href="#">LTM8056</a>	58V <sub>IN</sub> , 48V <sub>OUT</sub> , 5.5A Buck-Boost µModule Regulator	5V ≤ V <sub>IN</sub> ≤ 58V, 1.2V ≤ V <sub>OUT</sub> ≤ 48V; 15mm × 15mm × 4.92mm BGA
<a href="#">LTM8083</a>	36V <sub>IN</sub> , 36V <sub>OUT</sub> , 1.5A Buck-Boost µModule Regulator	3V ≤ V <sub>IN</sub> ≤ 36V, 1V ≤ V <sub>OUT</sub> ≤ 36V; 6.25mm × 6.25mm × 2.22mm BGA
<a href="#">LTM8045</a>	Single; Inverting or SEPIC µModule DC/DC Convertor	2.8V ≤ V <sub>IN</sub> ≤ 18V; ±2.5V ≤ V <sub>OUT</sub> ≤ ±15V; 6.25mm × 11.25mm × 4.92mm BGA
<a href="#">LTM8049</a>	Dual Outputs, SEPIC and/or Inverting µModule Regulator	2.6V ≤ V <sub>IN</sub> ≤ 20V; ±2.5V ≤ V <sub>OUT</sub> ≤ ±25V; 9mm × 15mm × 2.42mm BGA