

# 18-Cell Battery Stack Monitor with Daisy Chain Interface

## FEATURES

- Measures Up to 18 Battery Cells in Series
- 2.2mV Maximum Total Measurement Error
- Stackable Architecture for High Voltage Systems
- Built-In isoSPI™ Interface
  - 1Mb Isolated Serial Communications
  - Uses a Single Twisted Pair, Up to 100 Meters
  - Low EMI Susceptibility and Emissions
  - Bidirectional for Broken Wire Protection
- 290µs to Measure All Cells in a System
- Synchronized Voltage and Current Measurement
- 16-Bit Delta-Sigma ADC with Programmable Noise Filter
- Engineered for ISO 26262-Compliant Systems
- Passive Cell Balancing Up to 200mA (Max) with Programmable Pulse-Width Modulation
- 9 General Purpose Digital I/O or Analog Inputs
  - Temperature or Other Sensor Inputs
  - Configurable as an I<sup>2</sup>C or SPI Master
- 6µA Sleep Mode Supply Current
- 64-Lead eLQFP Package
- AEC-Q100 Qualified for Automotive Applications

## APPLICATIONS

- Electric and Hybrid Electric Vehicles
- Backup Battery Systems
- Grid Energy Storage
- High Power Portable Equipment

## DESCRIPTION

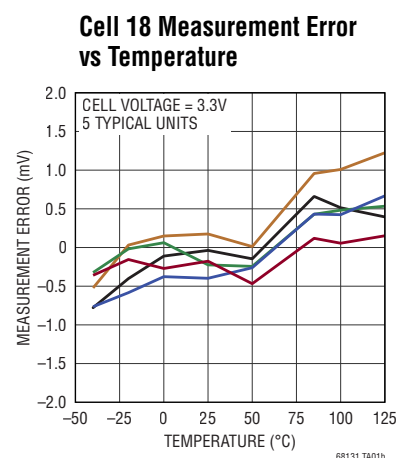
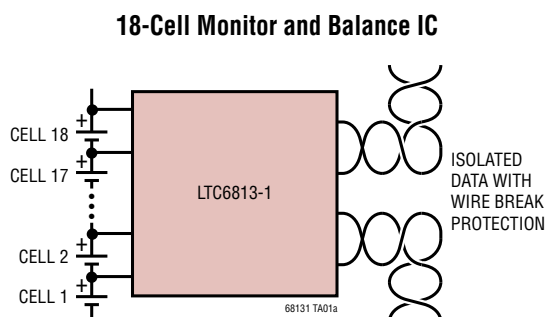
The LTC<sup>®</sup>6813-1 is a multicell battery stack monitor that measures up to 18 series connected battery cells with a total measurement error of less than 2.2mV. The cell measurement range of 0V to 5V makes the LTC6813-1 suitable for most battery chemistries. All 18 cells can be measured in 290µs, and lower data acquisition rates can be selected for high noise reduction.

Multiple LTC6813-1 devices can be connected in series, permitting simultaneous cell monitoring of long, high voltage battery strings. Each LTC6813-1 has an isoSPI interface for high speed, RF immune, long distance communications. Multiple devices are connected in a daisy chain with one host processor connection for all devices. This daisy chain can be operated bidirectionally, ensuring communication integrity, even in the event of a fault along the communication path.

The LTC6813-1 can be powered directly from the battery stack or from an isolated supply. The LTC6813-1 includes passive balancing for each cell, with individual PWM duty cycle control for each cell. Other features include an onboard 5V regulator, nine general purpose I/O lines and a sleep mode, where current consumption is reduced to 6µA.

All registered trademarks and trademarks are the property of their respective owners. Protected by U.S. patents, including 8908779, 9182428, 9270133.

## TYPICAL APPLICATION



## TABLE OF CONTENTS

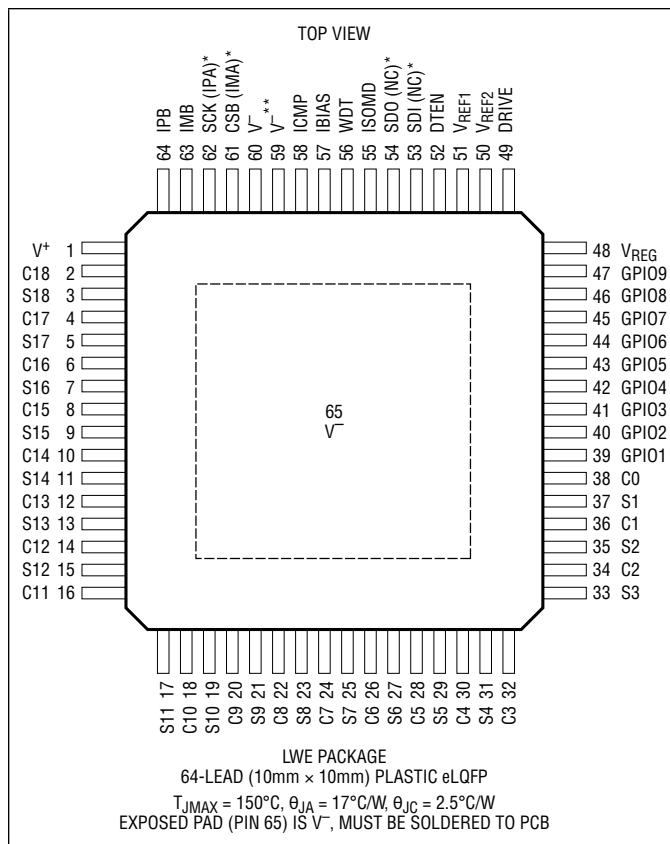
<b>Features</b> .....	<b>1</b>	Discharge Timer Monitor .....	36
<b>Applications</b> .....	<b>1</b>	I <sup>2</sup> C/SPI Master on LTC6813-1 Using GPIOs .....	37
<b>Typical Application</b> .....	<b>1</b>	S Pin Pulsing Using the S Pin Control Settings ....	42
<b>Description</b> .....	<b>1</b>	S Pin Muting.....	43
<b>Absolute Maximum Ratings</b> .....	<b>3</b>	Serial Interface Overview.....	43
<b>Order Information</b> .....	<b>3</b>	4-Wire Serial Peripheral Interface (SPI)	
<b>Pin Configuration</b> .....	<b>3</b>	Physical Layer .....	43
<b>Electrical Characteristics</b> .....	<b>4</b>	2-Wire Isolated Interface (isoSPI) Physical Layer.	43
<b>Typical Performance Characteristics</b> .....	<b>9</b>	Data Link Layer.....	54
<b>Pin Functions</b> .....	<b>15</b>	Network Layer .....	54
<b>Block Diagram</b> .....	<b>16</b>	<b>Applications Information</b> .....	<b>70</b>
<b>Improvements from the LTC6811-1</b> .....	<b>17</b>	Providing DC Power.....	70
<b>Operation</b> .....	<b>18</b>	Internal Protection and Filtering .....	71
State Diagram.....	18	Cell Balancing .....	74
Core LTC6813-1 State Descriptions .....	18	Discharge Control During Cell Measurements .....	75
isoSPI State Descriptions .....	19	Digital Communications.....	78
Power Consumption .....	19	Enhanced Applications .....	85
ADC Operation.....	20	Reading External Temperature Probes.....	87
Data Acquisition System Diagnostics .....	26	<b>Package Description</b> .....	<b>88</b>
Watchdog and Discharge Timer.....	33	<b>Revision History</b> .....	<b>89</b>
Reset Behaviors.....	35	<b>Typical Application</b> .....	<b>90</b>
S Pin Pulse-Width Modulation for Cell Balancing .	36	<b>Related Parts</b> .....	<b>90</b>

## ABSOLUTE MAXIMUM RATINGS

(Note 1)

Total Supply Voltage	
$V^+$ to $V^-$ .....	112.5V
Supply Voltage (Relative to C12)	
$V^+$ to C12.....	50V
Input Voltage (Relative to $V^-$ )	
C0 .....	-0.3V to 6V
C18 .....	-0.3V to MIN ( $V^+ + 5.5V, 112.5V$ )
C(n), S(n) .....	-0.3V to MIN ( $8 \bullet n, 112.5V$ )
IPA, IMA, IPB, IMB.....	-0.3V to $V_{REG} + 0.3V, \leq 6V$
DRIVE .....	-0.3V to 7V
All Other Pins.....	-0.3V to 6V
Voltage Between Inputs	
C(n) to C(n-1), S(n) to C(n-1) .....	-0.3V to 8V
C18 to C15, C15 to C12, C12 to C9, C9 to C6, C6 to C3, C3 to C0 .....	-0.3V to 21V
Current In/Out of Pins	
All Pins Except $V_{REG}$ , IPA, IMA, IPB, IMB,	
C(n), S(n) .....	10mA
IPA, IMA, IPB, IMB.....	30mA
Specified Junction Temperature Range	
LTC6813I-1 .....	-40°C to 85°C
LTC6813H-1 .....	-40°C to 125°C
Junction Temperature .....	150°C
Storage Temperature Range .....	-65°C to 150°C
Device HBM ESD Classification Level 1C	
Device CDM ESD Classification Level C5	

## PIN CONFIGURATION



\*The Function of These Pins Depends on the Connection of ISOMD:  
ISOMD Tied to  $V^-$ : CSB, SCK, SDI, SDO  
ISOMD Tied to  $V_{REG}$ : IPA, IMA, NC, NC

\*\*This Pin Must Be Connected to  $V^-$

## ORDER INFORMATION

### AUTOMOTIVE PRODUCTS\*\*

TRAY (160PC)	TAPE AND REEL (1500PC)	PART MARKING*	PACKAGE DESCRIPTION	MSL RATING	SPECIFIED JUNCTION TEMPERATURE RANGE
LTC6813ILWE-1#3ZZPBF	LTC6813ILWE-1#3ZZTRPBF	LTC6813LWE-1	64-Lead Plastic eLQFP	3	-40°C to 85°C
LTC6813HLWE-1#3ZZPBF	LTC6813HLWE-1#3ZZTRPBF	LTC6813LWE-1	64-Lead Plastic eLQFP	3	-40°C to 125°C

Contact the factory for parts specified with wider operating temperature ranges. \*The temperature grade is identified by a label on the shipping container.

**Tape and reel specifications.** Some packages are available in 500 unit reels through designated sales channels with #TRMPBF suffix.

\*\*Versions of this part are available with controlled manufacturing to support the quality and reliability requirements of automotive applications. These models are designated with a #3ZZ suffix. Only the automotive grade products shown are available for use in automotive applications. Contact your local Analog Devices account representative for specific product ordering information and to obtain the specific Automotive Reliability reports for these models.

**ELECTRICAL CHARACTERISTICS** The ● denotes the specifications which apply over the full specified temperature range, otherwise specifications are at  $T_A = 25^\circ\text{C}$ . The test conditions are  $V^+ = 59.4\text{V}$ ,  $V_{\text{REG}} = 5.0\text{V}$  unless otherwise noted. The ISOMD pin is tied to the  $V^-$  pin, unless otherwise noted.

SYMBOL	PARAMETER	CONDITIONS	MIN	TYP	MAX	UNITS		
<b>ADC DC Specifications</b>								
	Measurement Resolution			0.1		mV/Bit		
	ADC Offset Voltage	(Note 2)		0.1		mV		
	ADC Gain Error	(Note 2)		0.01		%		
	Total Measurement Error (TME) in Normal Mode	C(n) to C(n-1), GPIO(n) to $V^- = 0$		$\pm 0.2$		mV		
		C(n) to C(n-1) = 2.0			$\pm 1.6$	mV		
		C(n) to C(n-1), GPIO(n) to $V^- = 2.0$ , LTC6813I	●			$\pm 1.8$	mV	
		C(n) to C(n-1), GPIO(n) to $V^- = 2.0$ , LTC6813H	●			$\pm 2.0$	mV	
		C(n) to C(n-1) = 3.3				$\pm 2.2$	mV	
		C(n) to C(n-1), GPIO(n) to $V^- = 3.3$ , LTC6813I	●			$\pm 3.0$	mV	
		C(n) to C(n-1), GPIO(n) to $V^- = 3.3$ , LTC6813H	●			$\pm 3.3$	mV	
		C(n) to C(n-1) = 4.2				$\pm 2.8$	mV	
		C(n) to C(n-1), GPIO(n) to $V^- = 4.2$ , LTC6813I	●			$\pm 3.8$	mV	
		C(n) to C(n-1), GPIO(n) to $V^- = 4.2$ , LTC6813H	●			$\pm 4.2$	mV	
		C(n) to C(n-1), GPIO(n) to $V^- = 5.0$			$\pm 1$		mV	
		Sum of All Cells	●		$\pm 0.05$	$\pm 0.35$		%
		Internal Temperature, T = Maximum Specified Temperature				$\pm 5$		$^\circ\text{C}$
		$V_{\text{REG}}$ Pin	●	-1	-0.15	0		%
		$V_{\text{REF2}}$ Pin	●	-0.05	0.05	0.20		%
		Digital Supply Voltage, $V_{\text{REGD}}$	●	-0.5	0.5	1.5		%
			Total Measurement Error (TME) in Filtered Mode	C(n) to C(n-1), GPIO(n) to $V^- = 0$		$\pm 0.1$		mV
C(n) to C(n-1) = 2.0					$\pm 1.6$	mV		
C(n) to C(n-1), GPIO(n) to $V^- = 2.0$ , LTC6813I	●					$\pm 1.8$	mV	
C(n) to C(n-1), GPIO(n) to $V^- = 2.0$ , LTC6813H	●					$\pm 2.0$	mV	
C(n) to C(n-1) = 3.3						$\pm 2.2$	mV	
C(n) to C(n-1), GPIO(n) to $V^- = 3.3$ , LTC6813I	●					$\pm 3.0$	mV	
C(n) to C(n-1), GPIO(n) to $V^- = 3.3$ , LTC6813H	●					$\pm 3.3$	mV	
C(n) to C(n-1) = 4.2						$\pm 2.8$	mV	
C(n) to C(n-1), GPIO(n) to $V^- = 4.2$ , LTC6813I	●					$\pm 3.8$	mV	
C(n) to C(n-1), GPIO(n) to $V^- = 4.2$ , LTC6813H	●					$\pm 4.2$	mV	
C(n) to C(n-1), GPIO(n) to $V^- = 5.0$					$\pm 1$		mV	
Sum of All Cells	●				$\pm 0.05$	$\pm 0.35$		%
Internal Temperature, T = Maximum Specified Temperature						$\pm 5$		$^\circ\text{C}$
$V_{\text{REG}}$ Pin	●			-1	-0.15	0		%
$V_{\text{REF2}}$ Pin	●			-0.05	0.05	0.20		%
Digital Supply Voltage, $V_{\text{REGD}}$	●			-0.5	0.8	1.5		%

**ELECTRICAL CHARACTERISTICS** The ● denotes the specifications which apply over the full specified temperature range, otherwise specifications are at  $T_A = 25^\circ\text{C}$ . The test conditions are  $V^+ = 59.4\text{V}$ ,  $V_{\text{REG}} = 5.0\text{V}$  unless otherwise noted. The ISOMD pin is tied to the  $V^-$  pin, unless otherwise noted.

SYMBOL	PARAMETER	CONDITIONS	MIN	TYP	MAX	UNITS	
	Total Measurement Error (TME) in Fast Mode	C(n) to C(n-1), GPIO(n) to $V^- = 0$		±2		mV	
		C(n) to C(n-1), GPIO(n) to $V^- = 2.0$	●		±4	mV	
		C(n) to C(n-1), GPIO(n) to $V^- = 3.3$	●		±6	mV	
		C(n) to C(n-1), GPIO(n) to $V^- = 4.2$	●		±8.3	mV	
		C(n) to C(n-1), GPIO(n) to $V^- = 5.0$			±10	mV	
		Sum of All Cells	●		±0.15	±0.5	%
		Internal Temperature, T = Maximum Specified Temperature			±5		°C
		$V_{\text{REG}}$ Pin	●	-1.5	-0.15	1	%
		$V_{\text{REF2}}$ Pin	●	-0.18	0.05	0.32	%
		Digital Supply Voltage, $V_{\text{REGD}}$	●	-2.5	-0.4	2	%
	Input Range	C(n) n = 1 to 18	●	C(n-1)	C(n-1) + 5	V	
		CO	●	0	1	V	
		GPIO(n) n = 1 to 9	●	0	5	V	
$I_L$	Input Leakage Current When Inputs Are Not Being Measured	C(n) n = 0 to 18	●	10	±250	nA	
		GPIO(n) n = 1 to 9	●	10	±250	nA	
	Input Current When Inputs Are Being Measured (State: Core = MEASURE)	C(n) n = 0 to 18		±1		μA	
		GPIO(n) n = 1 to 9		±1		μA	
	Input Current During Open Wire Detection		●	70	100	130	μA

#### Voltage Reference Specifications

$V_{\text{REF1}}$	1st Reference Voltage	$V_{\text{REF1}}$ Pin, No Load	●	3.0	3.15	3.3	V
	1st Reference Voltage TC	$V_{\text{REF1}}$ Pin, No Load			3		ppm/°C
	1st Reference Voltage Thermal Hysteresis	$V_{\text{REF1}}$ Pin, No Load			20		ppm
	1st Reference Voltage Long Term Drift	$V_{\text{REF1}}$ Pin, No Load			20		ppm/√khr
$V_{\text{REF2}}$	2nd Reference Voltage	$V_{\text{REF2}}$ Pin, No Load	●	2.993	3	3.007	V
		$V_{\text{REF2}}$ Pin, 5k Load to $V^-$	●	2.992	3	3.008	V
	2nd Reference Voltage TC	$V_{\text{REF2}}$ Pin, No Load			10		ppm/°C
	2nd Reference Voltage Thermal Hysteresis	$V_{\text{REF2}}$ Pin, No Load			100		ppm
	2nd Reference Voltage Long Term Drift	$V_{\text{REF2}}$ Pin, No Load			60		ppm/√khr

#### General DC Specifications

$I_{VP}$	$V^+$ Supply Current (See Figure 1: LTC6813-1 Operation State Diagram)	State: Core = SLEEP, isoSPI = IDLE	$V_{\text{REG}} = 0\text{V}$		6.1	11	μA	
			$V_{\text{REG}} = 0\text{V}$	●	6.1	18	μA	
			$V_{\text{REG}} = 5\text{V}$		3	5	μA	
			$V_{\text{REG}} = 5\text{V}$	●	3	9	μA	
		State: Core = STANDBY		●	9	14	22	μA
					6	14	28	μA
		State: Core = REFUP			●	0.4	0.55	0.8
State: Core = MEASURE			●	0.375	0.55	0.825	mA	
			●	0.65	0.95	1.35	mA	
			●	0.6	0.95	1.4	mA	

**ELECTRICAL CHARACTERISTICS** The ● denotes the specifications which apply over the full specified temperature range, otherwise specifications are at  $T_A = 25^\circ\text{C}$ . The test conditions are  $V^+ = 59.4\text{V}$ ,  $V_{\text{REG}} = 5.0\text{V}$  unless otherwise noted. The ISOMD pin is tied to the  $V^-$  pin, unless otherwise noted.

SYMBOL	PARAMETER	CONDITIONS		MIN	TYP	MAX	UNITS		
$I_{\text{REG(CORE)}}$	$V_{\text{REG}}$ Supply Current (See Figure 1: LTC6813-1 Operation State Diagram)	State: Core = SLEEP, isoSPI = IDLE	$V_{\text{REG}} = 5\text{V}$		3.1	6	$\mu\text{A}$		
			$V_{\text{REG}} = 5\text{V}$ ●		3.1	9	$\mu\text{A}$		
		State: Core = STANDBY		10	35	60	$\mu\text{A}$		
			●	6	35	65	$\mu\text{A}$		
		State: Core = REFUP	●	0.4	0.9	1.4	$\text{mA}$		
	●	0.3	0.9	1.5	$\text{mA}$				
$I_{\text{REG(isoSPI)}}$	Additional $V_{\text{REG}}$ Supply Current if isoSPI in READY/ACTIVE States  Note: ACTIVE State Current Assumes $t_{\text{CLK}} = 1\mu\text{s}$ , (Note 3)	ISOMD = 0, $R_{B1} + R_{B2} = 2\text{k}$	READY	●	3.6	4.5	5.2	$\text{mA}$	
			ACTIVE	●	5.6	6.8	8.1	$\text{mA}$	
		ISOMD = 1, $R_{B1} + R_{B2} = 2\text{k}$	READY	●	4.0	5.2	6.5	$\text{mA}$	
			ACTIVE	●	7.0	8.5	10.5	$\text{mA}$	
		ISOMD = 0, $R_{B1} + R_{B2} = 20\text{k}$	READY	●	1.0	1.8	2.4	$\text{mA}$	
			ACTIVE	●	1.3	2.3	3.3	$\text{mA}$	
		ISOMD = 1, $R_{B1} + R_{B2} = 20\text{k}$	READY	●	1.6	2.5	3.5	$\text{mA}$	
			ACTIVE	●	1.8	3.1	4.8	$\text{mA}$	
			$V^+$ Supply Voltage	TME Specifications Met	●	16	60	90	V
			$V^+$ to C18 Voltage	TME Specifications Met	●	-0.3			V
	$V^+$ to C12 Voltage	TME Specifications Met	●			40	V		
	C13 Voltage	TME Specifications Met	●	2.5			V		
	C7 Voltage	TME Specifications Met	●	1			V		
$V_{\text{REG}}$	$V_{\text{REG}}$ Supply Voltage	TME Supply Rejection $< 1\text{mV/V}$	●	4.5	5	5.5	V		
	DRIVE Output Voltage	Sourcing $1\mu\text{A}$	●	5.4	5.7	5.9	V		
			●	5.2	5.7	6.1	V		
	Sourcing $500\mu\text{A}$	●	5.1	5.7	6.1	V			
$V_{\text{REGD}}$	Digital Supply Voltage		●	2.7	3	3.6	V		
	Discharge Switch ON Resistance	$V_{\text{CELL}} = 3.6\text{V}$	●		4	10	$\Omega$		
	Thermal Shutdown Temperature				150		$^\circ\text{C}$		
$V_{\text{OL(WDT)}}$	Watch Dog Timer Pin Low	WDT Pin Sinking $4\text{mA}$	●			0.4	V		
$V_{\text{OL(GPIO)}}$	General Purpose I/O Pin Low	GPIO Pin Sinking $4\text{mA}$ (Used as Digital Output)	●			0.4	V		

#### ADC Timing Specifications

$t_{\text{CYCLE}}$ (Figure 3, Figure 4, Figure 6)	Measurement + Calibration Cycle Time When Starting from the REFUP State in Normal Mode	Measure 18 Cells	●	1743	2343	2488	$\mu\text{s}$
		Measure 3 Cells	●	303	407	432	$\mu\text{s}$
		Measure 18 Cells and 2 GPIO Inputs	●	2337	3140	3335	$\mu\text{s}$
	Measurement + Calibration Cycle Time When Starting from the REFUP State in Filtered Mode	Measure 18 Cells	●	150.0	201.3	213.8	$\text{ms}$
		Measure 3 Cells	●	25.0	33.6	35.7	$\text{ms}$
		Measure 18 Cells and 2 GPIO Inputs	●	200.0	268.5	285.1	$\text{ms}$
	Measurement + Calibration Cycle Time When Starting from the REFUP State in Fast Mode	Measure 18 Cells	●	834	1121	1191	$\mu\text{s}$
		Measure 3 Cells	●	151	203	215	$\mu\text{s}$
		Measure 18 Cells and 2 GPIO Inputs	●	1124	1511	1605	$\mu\text{s}$
$t_{\text{SKEW1}}$ (Figure 6)	Skew Time. The Time Difference Between Cell 18 and GPIO1 Measurements, Command = ADCVAX	Fast Mode	●	144	194	206	$\mu\text{s}$
		Normal Mode	●	404	543	577	$\mu\text{s}$

**ELECTRICAL CHARACTERISTICS** The ● denotes the specifications which apply over the full specified temperature range, otherwise specifications are at  $T_A = 25^\circ\text{C}$ . The test conditions are  $V^+ = 59.4\text{V}$ ,  $V_{\text{REG}} = 5.0\text{V}$  unless otherwise noted. The ISOMD pin is tied to the  $V^-$  pin, unless otherwise noted.

SYMBOL	PARAMETER	CONDITIONS	MIN	TYP	MAX	UNITS	
$t_{\text{SKEW2}}$ (Figure 3)	Skew Time. The Time Difference Between Cell 18 and Cell 1 Measurements, Command = ADCV	Fast Mode	●	174	233	248	$\mu\text{s}$
		Normal Mode	●	500	670	711	$\mu\text{s}$
$t_{\text{WAKE}}$	Regulator Start-Up Time	$V_{\text{REG}}$ Generated from DRIVE Pin (Figure 32)	●	200	400	$\mu\text{s}$	
$t_{\text{SLEEP}}$ (Figure 26)	Watchdog or Discharge Timer	DTEN Pin = 0 or DCTO[3:0] = 0000	●	1.8	2	2.2	sec
		DTEN Pin = 1 and DCTO[3:0] $\neq$ 0000		0.5		120	min
$t_{\text{REFUP}}$ Figure 3 for example)	Reference Wake-Up Time. Added to $t_{\text{CYCLE}}$ Time When Starting from the STANDBY State. $t_{\text{REFUP}} = 0$ When Starting from Other States.	$t_{\text{REFUP}}$ is Independent of the Number of Channels Measured and the ADC Mode	●	2.7	3.5	4.4	ms
$f_{\text{S}}$	ADC Clock Frequency			3.3		MHz	

#### SPI Interface DC Specifications

$V_{\text{IH(SPI)}}$	SPI Pin Digital Input Voltage High	Pins CSB, SCK, SDI	●	2.3		V
$V_{\text{IL(SPI)}}$	SPI Pin Digital Input Voltage Low	Pins CSB, SCK, SDI	●		0.8	V
$V_{\text{IH(CFG)}}$	Configuration Pin Digital Input Voltage High	Pins ISOMD, DTEN, GPIO1 to GPIO9	●	2.7		V
$V_{\text{IL(CFG)}}$	Configuration Pin Digital Input Voltage Low	Pins ISOMD, DTEN, GPIO1 to GPIO9	●		1.2	V
$I_{\text{LEAK(DIG)}}$	Digital Input Current	Pins CSB, SCK, SDI, ISOMD, DTEN	●		$\pm 1$	$\mu\text{A}$
$V_{\text{OL(SDO)}}$	Digital Output Low	Pin SDO Sinking 1mA	●		0.3	V

#### isoSPI DC Specifications (See Figure 17)

$V_{\text{BIAS}}$	Voltage on IBIAS Pin	READY/ACTIVE State IDLE State	●	1.9	2.0 0	2.1	V V
$I_{\text{B}}$	Isolated Interface Bias Current	$R_{\text{BIAS}} = 2\text{k}$ to $20\text{k}$	●	0.1		1.0	mA
$A_{\text{IB}}$	Isolated Interface Current Gain	$V_A = \leq 1.6\text{V}$ $I_{\text{B}} = 1\text{mA}$ $I_{\text{B}} = 0.1\text{mA}$	●	18	20	22	mA/mA
			●	18	20	24.5	mA/mA
$V_A$	Transmitter Pulse Amplitude	$V_A =  V_{\text{IP}} - V_{\text{IM}} $	●			1.6	V
$V_{\text{ICMP}}$	Threshold-Setting Voltage on ICMP Pin	$V_{\text{TCMP}} = A_{\text{TCMP}} \cdot V_{\text{ICMP}}$	●	0.2		1.5	V
$I_{\text{LEAK(ICMP)}}$	Input Leakage Current on ICMP Pin	$V_{\text{ICMP}} = 0\text{V}$ to $V_{\text{REG}}$	●			$\pm 1$	$\mu\text{A}$
$I_{\text{LEAK(IP/IM)}}$	Leakage Current on IP and IM Pins	IDLE State, $V_{\text{IP}}$ or $V_{\text{IM}}$ , $0\text{V}$ to $V_{\text{REG}}$	●			$\pm 1$	$\mu\text{A}$
$A_{\text{TCMP}}$	Receiver Comparator Threshold Voltage Gain	$V_{\text{CM}} = V_{\text{REG}}/2$ to $V_{\text{REG}} - 0.2\text{V}$ , $V_{\text{ICMP}} = 0.2\text{V}$ to $1.5\text{V}$	●	0.4	0.5	0.6	V/V
$V_{\text{CM}}$	Receiver Common Mode Bias	IP/IM Not Driving				$(V_{\text{REG}} - V_{\text{ICMP}}/3 - 167\text{mV})$	V
$R_{\text{IN}}$	Receiver Input Resistance	Single-Ended to IPA, IMA, IPB, IMB	●	26	35	45	k $\Omega$

#### isoSPI Idle/Wake-Up Specifications (See Figure 26)

$V_{\text{WAKE}}$	Differential Wake-Up Voltage	$t_{\text{DWELL}} = 240\text{ns}$	●	200			mV
$t_{\text{DWELL}}$	Dwell Time at $V_{\text{WAKE}}$ Before Wake Detection	$V_{\text{WAKE}} = 200\text{mV}$	●	240			ns
$t_{\text{READY}}$	Start-Up Time After Wake Detection		●			10	$\mu\text{s}$
$t_{\text{IDLE}}$	Idle Timeout Duration		●	4.3	5.5	6.7	ms

#### isoSPI Pulse Timing Specifications (See Figure 22)

$t_{1/2\text{PW(CS)}}$	Chip-Select Half-Pulse Width	Transmitter	●	120	150	180	ns
$t_{\text{FILT(CS)}}$	Chip-Select Signal Filter	Receiver	●	70	90	110	ns
$t_{\text{INV(CS)}}$	Chip-Select Pulse Inversion Delay	Transmitter	●	120	155	190	ns
$t_{\text{WNDW(CS)}}$	Chip-Select Valid Pulse Window	Receiver	●	220	270	330	ns

**ELECTRICAL CHARACTERISTICS** The ● denotes the specifications which apply over the full specified temperature range, otherwise specifications are at  $T_A = 25^\circ\text{C}$ . The test conditions are  $V^+ = 59.4\text{V}$ ,  $V_{\text{REG}} = 5.0\text{V}$  unless otherwise noted. The ISOMD pin is tied to the  $V^-$  pin, unless otherwise noted.

SYMBOL	PARAMETER	CONDITIONS		MIN	TYP	MAX	UNITS
$t_{1/2\text{PW(D)}}$	Data Half-Pulse Width	Transmitter	●	40	50	60	ns
$t_{\text{FILT(D)}}$	Data Signal Filter	Receiver	●	10	25	35	ns
$t_{\text{INV(D)}}$	Data Pulse Inversion Delay	Transmitter	●	40	55	65	ns
$t_{\text{WNDW(D)}}$	Data Valid Pulse Window	Receiver	●	70	90	110	ns

#### SPI Timing Requirements (See Figure 16 and Figure 25)

$t_{\text{CLK}}$	SCK Period	(Note 4)	●	1			$\mu\text{s}$
$t_1$	SDI Setup Time before SCK Rising Edge		●	25			ns
$t_2$	SDI Hold Time after SCK Rising Edge		●	25			ns
$t_3$	SCK Low	$t_{\text{CLK}} = t_3 + t_4 \geq 1\mu\text{s}$	●	200			ns
$t_4$	SCK High	$t_{\text{CLK}} = t_3 + t_4 \geq 1\mu\text{s}$	●	200			ns
$t_5$	CSB Rising Edge to CSB Falling Edge		●	0.65			$\mu\text{s}$
$t_6$	SCK Rising Edge to CSB Rising Edge	(Note 4)	●	0.8			$\mu\text{s}$
$t_7$	CSB Falling Edge to SCK Rising Edge	(Note 4)	●	1			$\mu\text{s}$

#### isoSPI Timing Specifications (See Figure 25)

$t_8$	SCK Falling Edge to SDO Valid	(Note 5)	●			60	ns
$t_9$	SCK Rising Edge to Short $\pm 1$ Transmit		●			50	ns
$t_{10}$	CSB Transition to Long $\pm 1$ Transmit		●			60	ns
$t_{11}$	CSB Rising Edge to SDO Rising	(Note 5)	●			200	ns
$t_{\text{RTN}}$	Data Return Delay		●	325	375	425	ns
$t_{\text{DSY(CS)}}$	Chip-Select Daisy-Chain Delay		●		120	180	ns
$t_{\text{DSY(D)}}$	Data Daisy-Chain Delay		●	200	250	300	ns
$t_{\text{LAG}}$	Data Daisy-Chain Lag (vs Chip-Select)	$= [t_{\text{DSY(D)}} + t_{1/2\text{PW(D)}}] - [t_{\text{DSY(CS)}} + t_{1/2\text{PW(CS)}}]$	●	0	35	70	ns
$t_{5(\text{GOV})}$	Chip-Select High-to-Low Pulse Governor		●	0.6		0.82	$\mu\text{s}$
$t_{6(\text{GOV})}$	Data to Chip-Select Pulse Governor		●	0.8		1.05	$\mu\text{s}$
$t_{\text{BLOCK}}$	isoSPI Port Reversal Blocking Window		●	2		10	$\mu\text{s}$

**Note 1:** Stresses beyond those listed under Absolute Maximum Ratings may cause permanent damage to the device. Exposure to any Absolute Maximum Rating condition for extended periods may affect device reliability and lifetime.

**Note 2:** The ADC specifications are guaranteed by the Total Measurement Error specification.

**Note 3:** The ACTIVE state current is calculated from DC measurements. The ACTIVE state current is the additional average supply current into  $V_{\text{REG}}$  when there is continuous 1MHz communications on the isoSPI ports with 50% data 1's and 50% data 0's. Slower clock rates reduce the supply current. See Applications Information section for additional details.

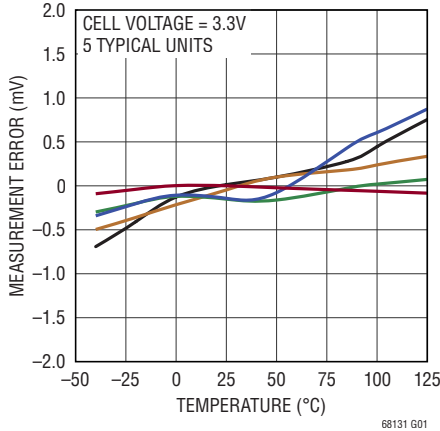
**Note 4:** These timing specifications are dependent on the delay through the cable, and include allowances for 50ns of delay each direction. 50ns corresponds to 10m of CAT5 cable (which has a velocity of propagation of 66% the speed of light). Use of longer cables would require derating these specs by the amount of additional delay.

**Note 5:** These specifications do not include rise or fall time of SDO. While fall time (typically 5ns due to the internal pull-down transistor) is not a concern, rising-edge transition time  $t_{\text{RISE}}$  is dependent on the pull-up resistance and load capacitance on the SDO pin. The time constant must be chosen such that SDO meets the setup time requirements of the MCU.

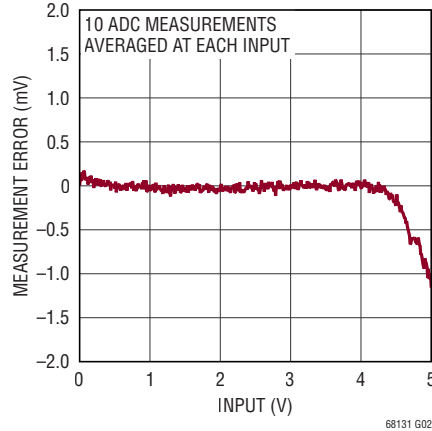


**TYPICAL PERFORMANCE CHARACTERISTICS**  $T_A = 25^\circ\text{C}$ , unless otherwise noted.

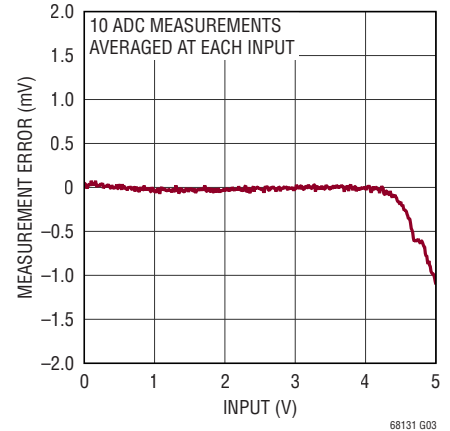
**Measurement Error vs Temperature**



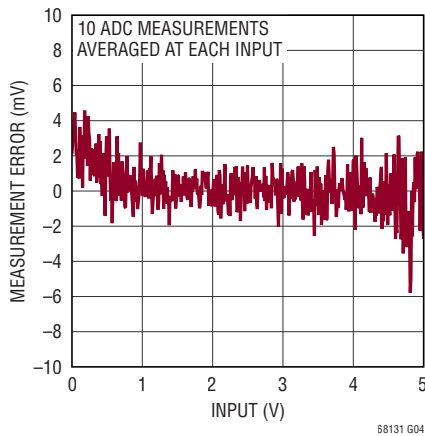
**Measurement Error vs Input, Normal Mode**



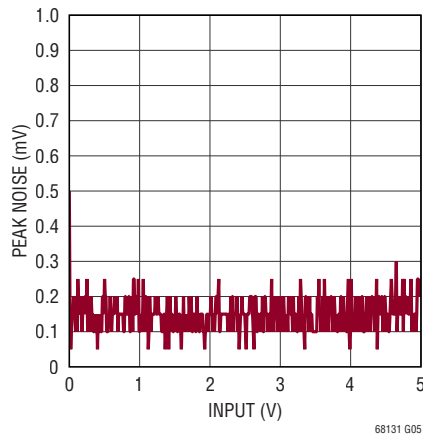
**Measurement Error vs Input, Filtered Mode**



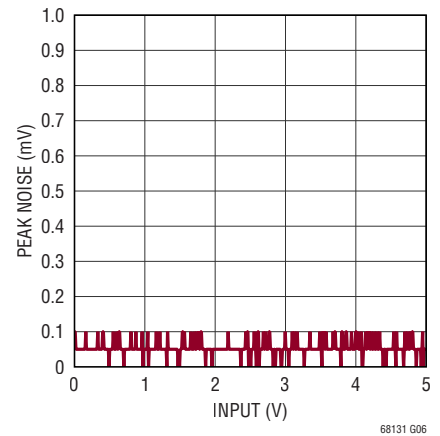
**Measurement Error vs Input, Fast Mode**



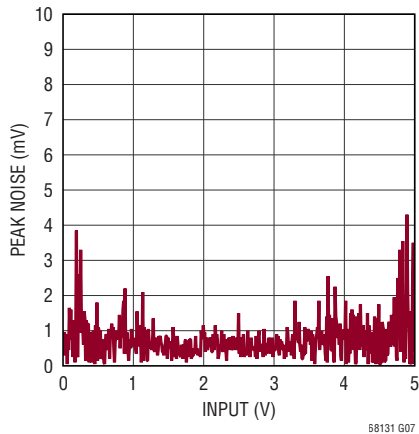
**Measurement Noise vs Input, Normal Mode**



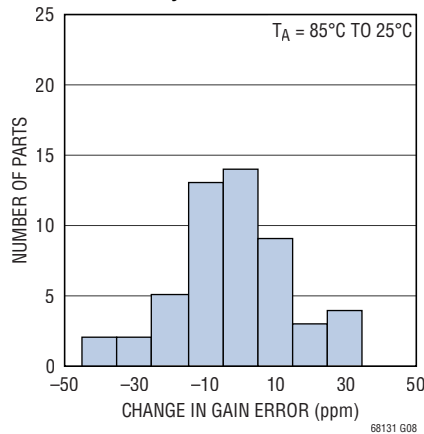
**Measurement Noise vs Input, Filtered Mode**



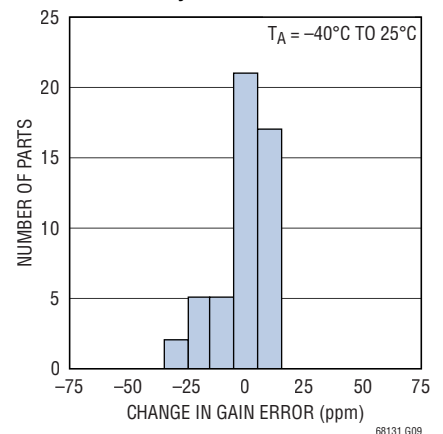
**Measurement Noise vs Input, Fast Mode**



**Measurement Gain Error Thermal Hysteresis, Hot**



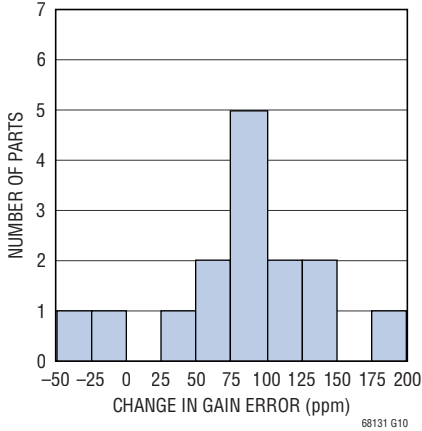
**Measurement Gain Error Thermal Hysteresis, Cold**



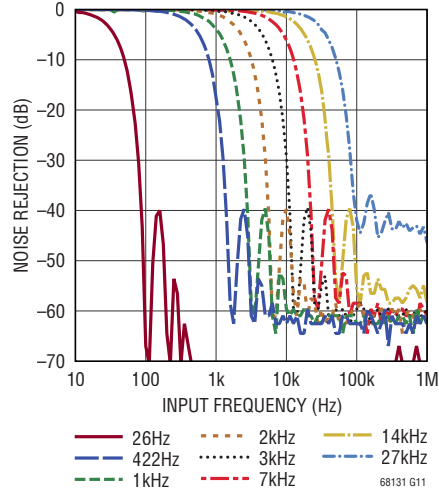
## TYPICAL PERFORMANCE CHARACTERISTICS

$T_A = 25^\circ\text{C}$ , unless otherwise noted.

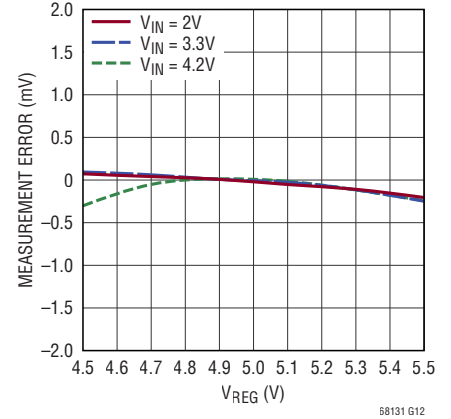
**Measurement Error Due to IR Reflow**



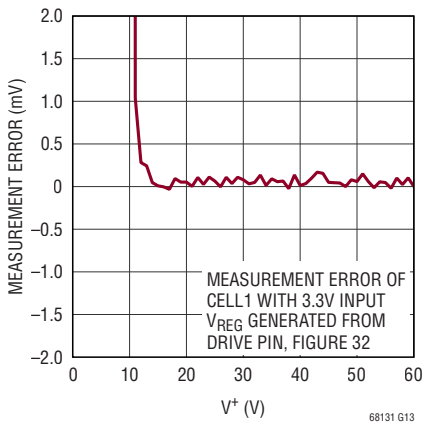
**Noise Filter Response**



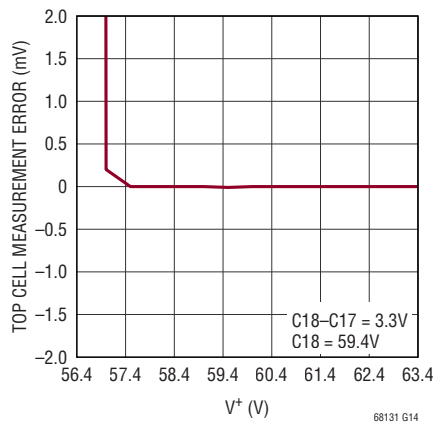
**Measurement Error vs  $V_{REG}$**



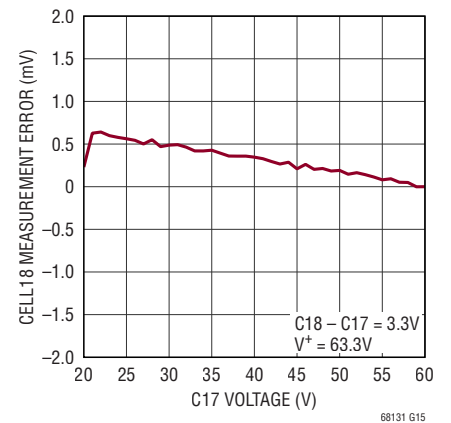
**Measurement Error vs  $V^+$**



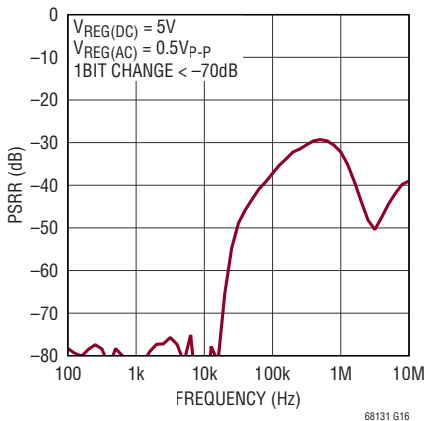
**Top Cell Measurement Error vs  $V^+$**



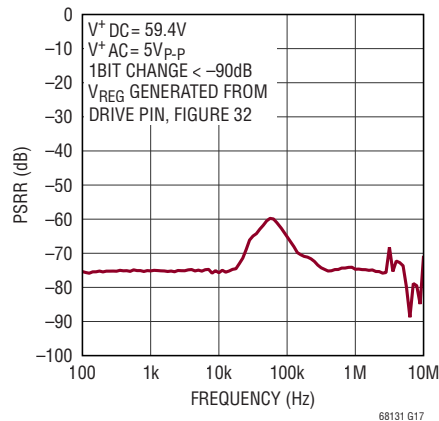
**Measurement Error vs Common Mode Voltage**



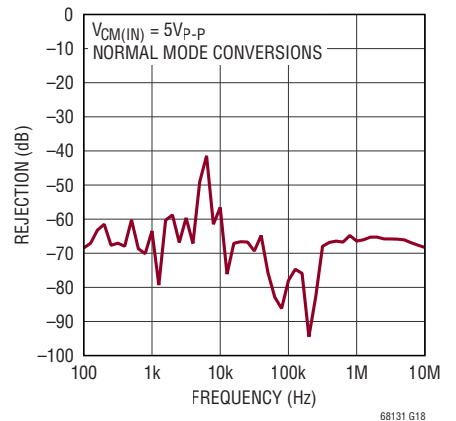
**Measurement Error Due to a  $V_{REG}$  AC Disturbance**



**Measurement Error Due to a  $V^+$  AC Disturbance**

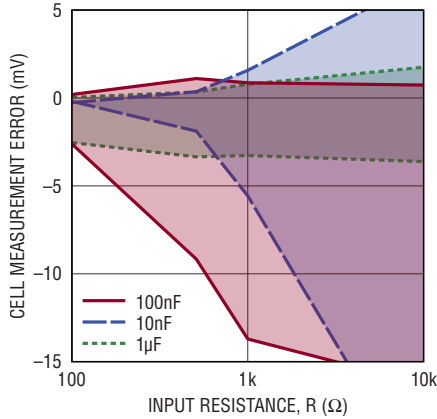


**Measurement Error CMRR vs Frequency**



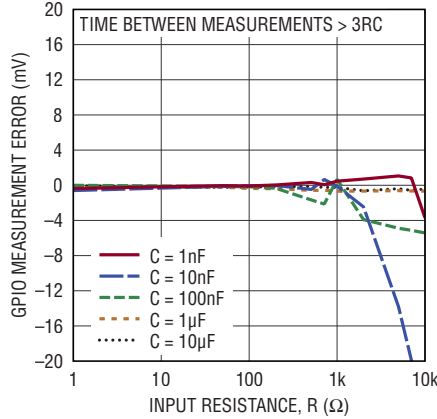
**TYPICAL PERFORMANCE CHARACTERISTICS**  $T_A = 25^\circ\text{C}$ , unless otherwise noted.

**Cell Measurement Error Range vs Input RC Values**



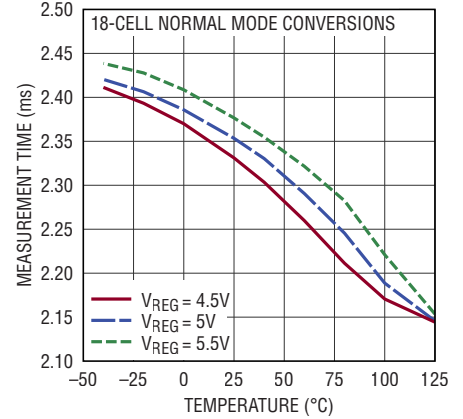
68131 G19

**GPIO Measurement Error vs Input RC Values**



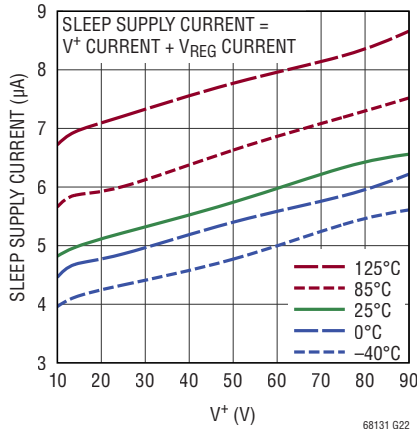
68131 G20

**Measurement Time vs Temperature**



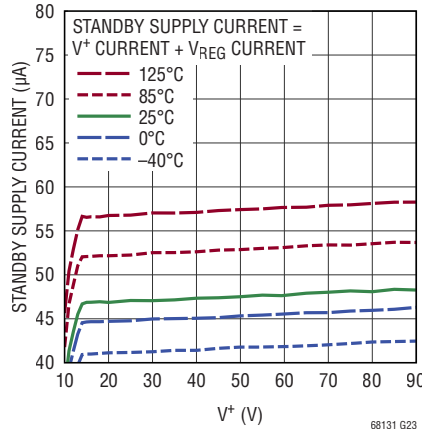
68131 G21

**Sleep Supply Current vs V+**



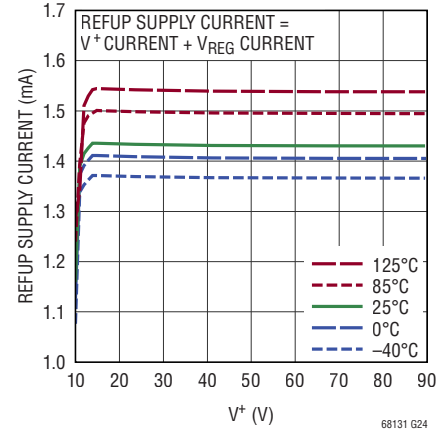
68131 G22

**Standby Supply Current vs V+**



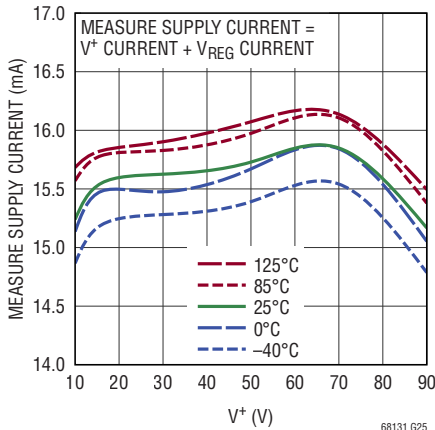
68131 G23

**REFUP Supply Current vs V+**



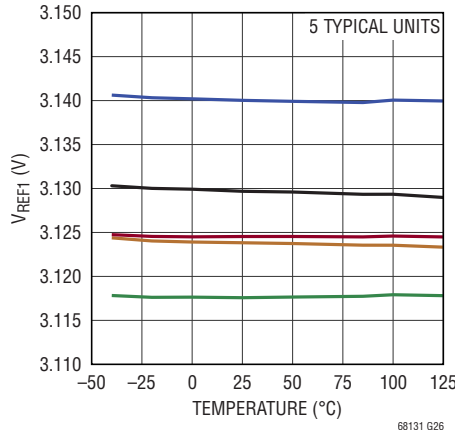
68131 G24

**Measure Supply Current vs V+**



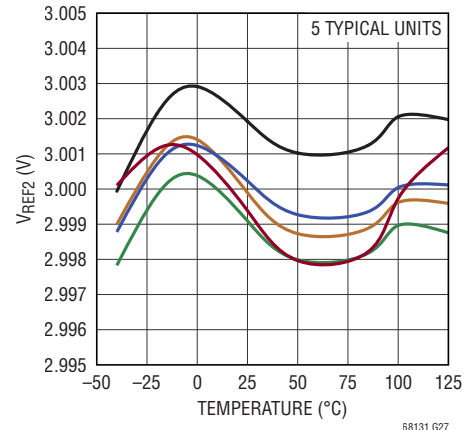
68131 G25

**VREF1 vs Temperature**



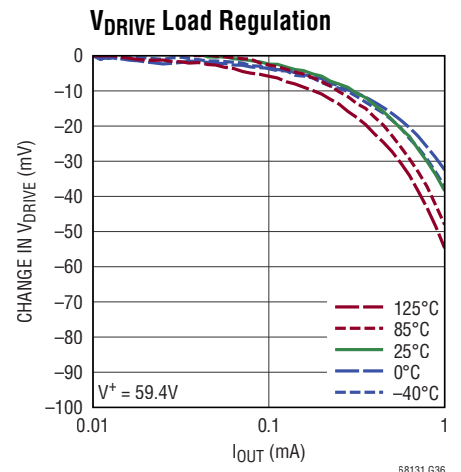
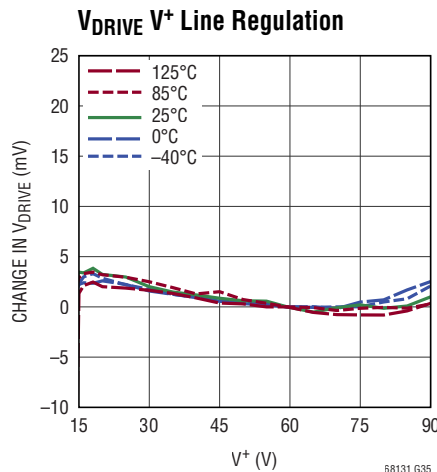
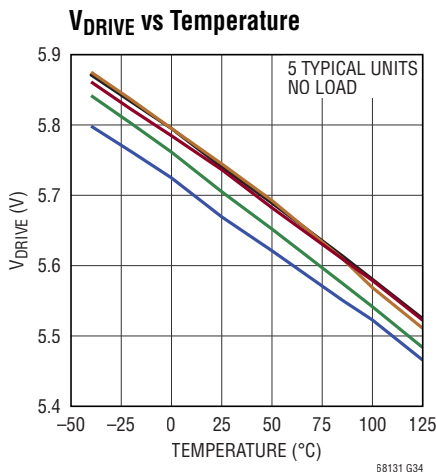
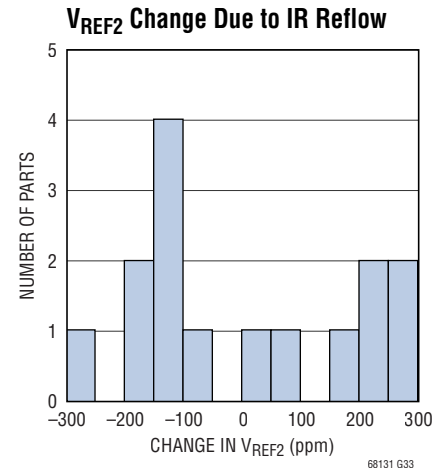
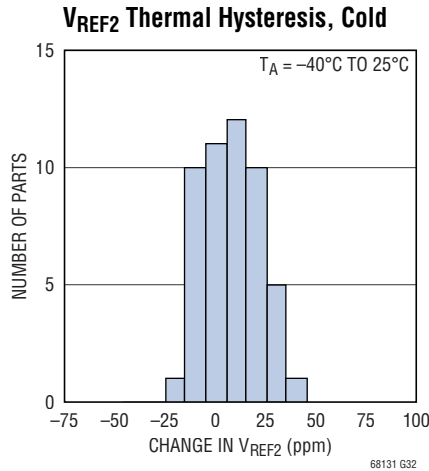
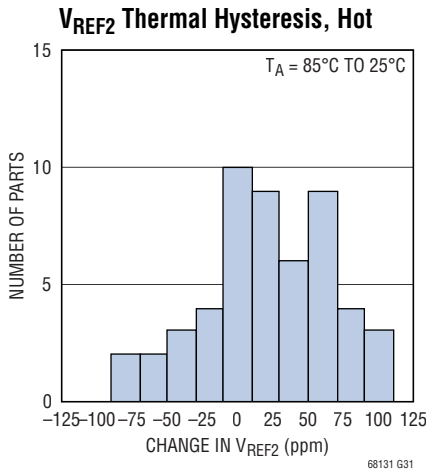
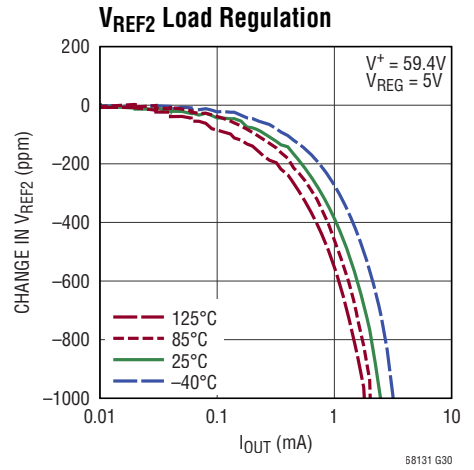
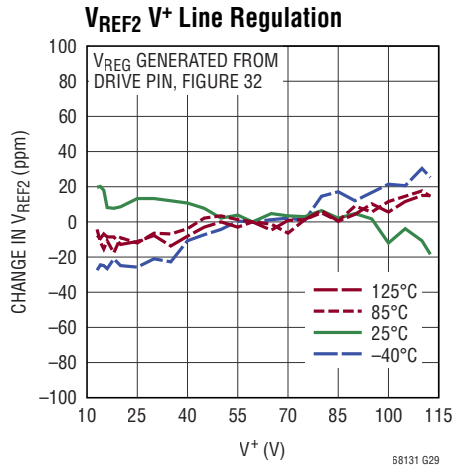
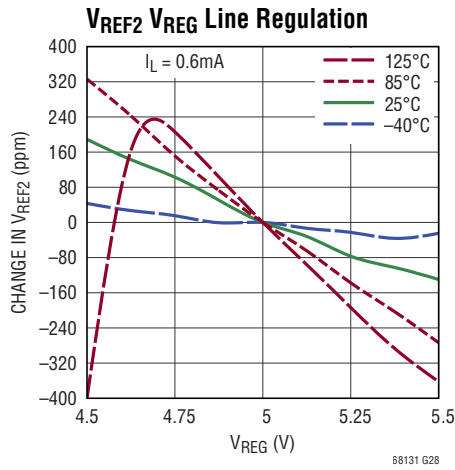
68131 G26

**VREF2 vs Temperature**



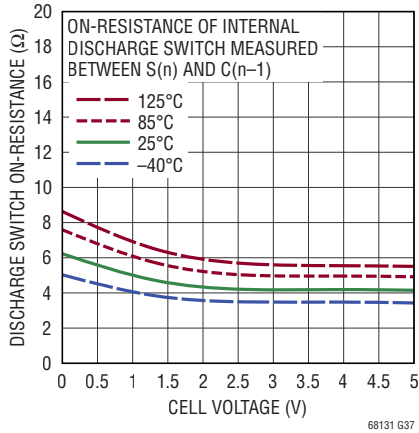
68131 G27

**TYPICAL PERFORMANCE CHARACTERISTICS**  $T_A = 25^\circ\text{C}$ , unless otherwise noted.

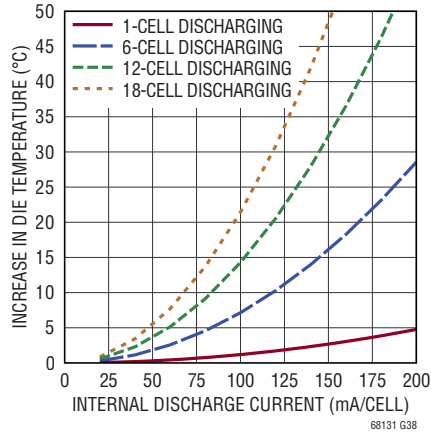


**TYPICAL PERFORMANCE CHARACTERISTICS**  $T_A = 25^\circ\text{C}$ , unless otherwise noted.

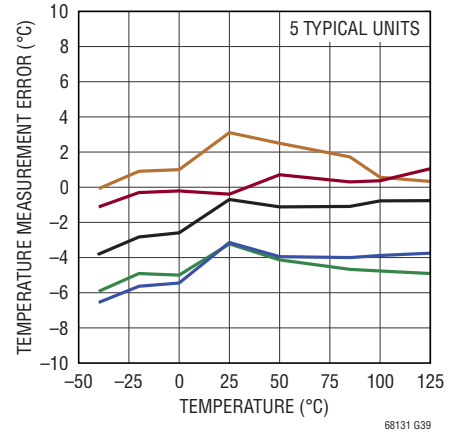
**Discharge Switch On-Resistance vs Cell Voltage**



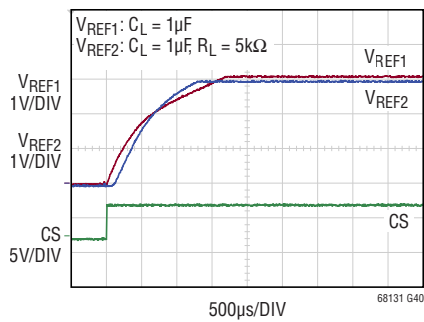
**Internal Die Temperature Increase vs Discharge Current**



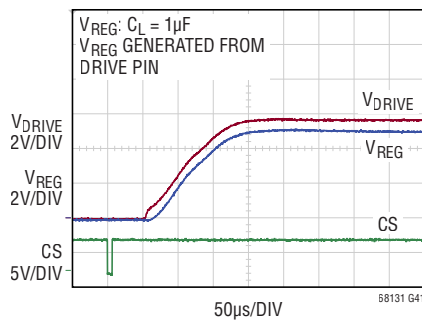
**Internal Die Temperature Measurement Error vs Temperature**



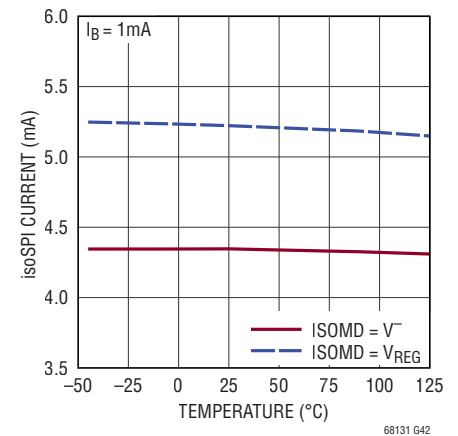
**VREF1 and VREF2 Power-Up**



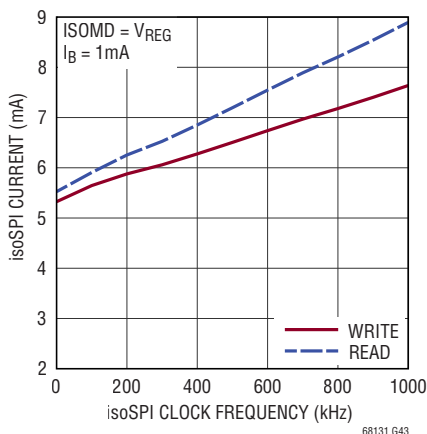
**VREG and VDRIVE Power-Up**



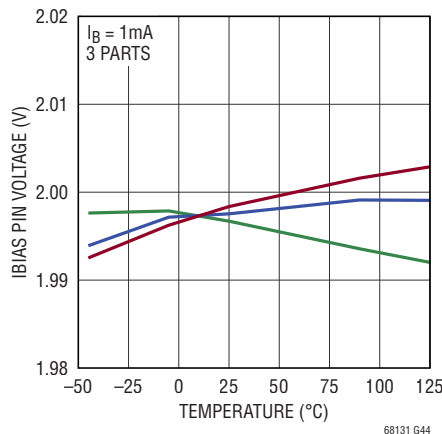
**isoSPI Current (READY) vs Temperature**



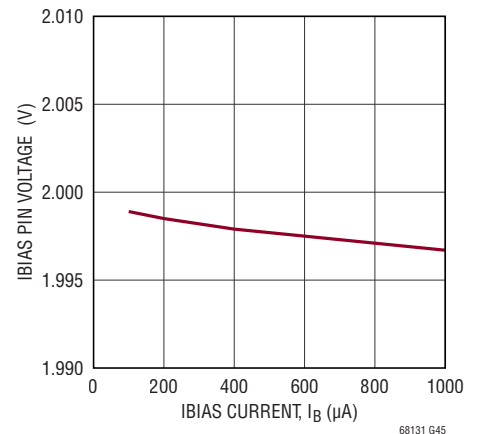
**isoSPI Current (ACTIVE) vs isoSPI Clock Frequency**



**IBIAS Voltage vs Temperature**



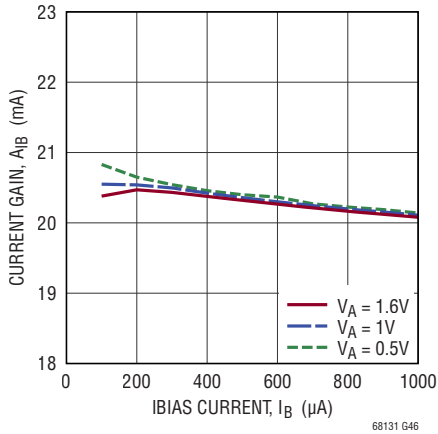
**IBIAS Voltage Load Regulation**



**TYPICAL PERFORMANCE CHARACTERISTICS**

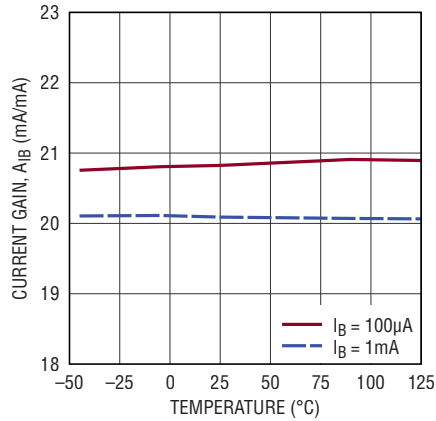
$T_A = 25^\circ\text{C}$ , unless otherwise noted.

**isoSPI Driver Current Gain (Port A/Port B) vs IBIAS Current**



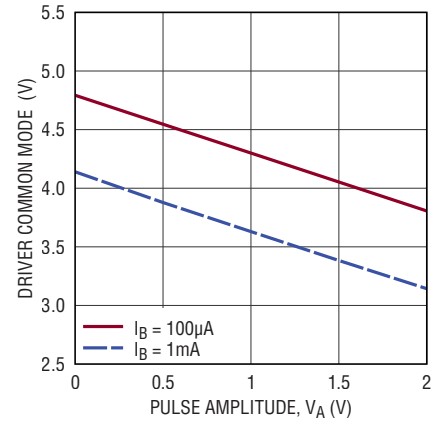
68131 G46

**isoSPI Driver Current Gain (Port A/Port B) vs Temperature**



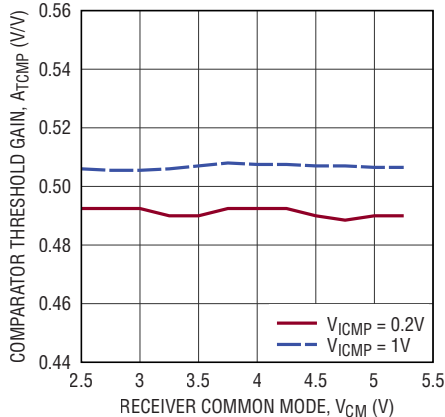
68131 G47

**isoSPI Driver Common Mode Voltage (Port A/Port B) vs Pulse Amplitude**



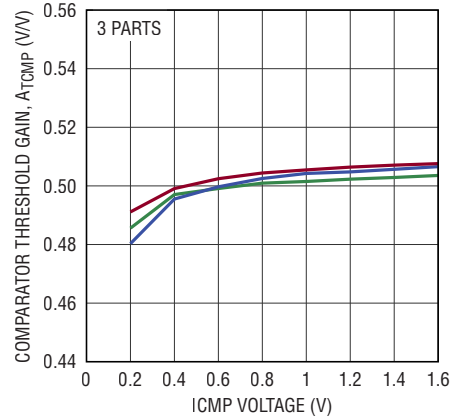
68131 G48

**isoSPI Comparator Threshold Gain (Port A/Port B) vs Receiver Common Mode**



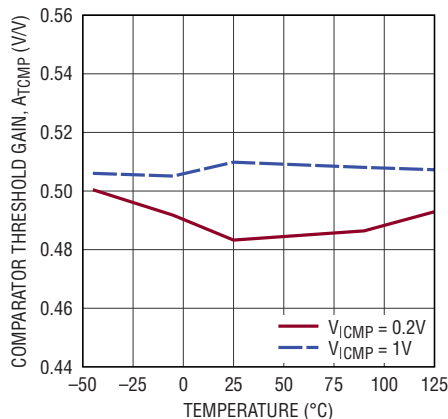
68131 G49

**isoSPI Comparator Threshold Gain (Port A/Port B) vs ICMP Voltage**



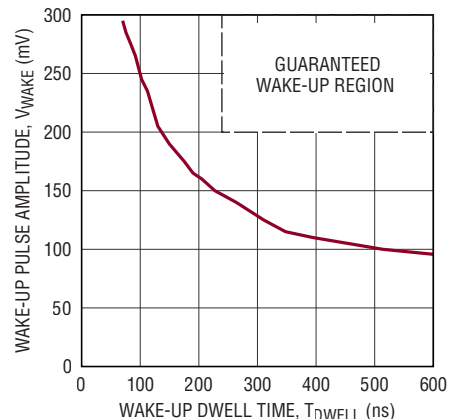
68131 G50

**isoSPI Comparator Threshold Gain (Port A/Port B) vs Temperature**



68131 G51

**Typical Wake-Up Pulse Amplitude (Port A/Port B) vs Dwell Time**



68131 G52

## PIN FUNCTIONS

**C0 to C18:** Cell Inputs.

**S1 to S18:** Balance Inputs/Outputs. 18 internal N-MOSFETs are connected between S(n) and C(n-1) for discharging cells.

**V<sup>+</sup>:** Positive Supply Pin.

**V<sup>-</sup>:** Negative Supply Pins. The V<sup>-</sup> pins must be shorted together, external to the IC.

**V<sub>REF2</sub>:** Buffered 2nd Reference Voltage for Driving Multiple 10k Thermistors. Bypass with an external 1μF capacitor.

**V<sub>REF1</sub>:** ADC Reference Voltage. Bypass with an external 1μF capacitor. No DC loads allowed.

**GPIO[1:9]:** General Purpose I/O. Can be used as digital inputs or digital outputs, or as analog inputs with a measurement range from V<sup>-</sup> to 5V. GPIO[3:5] can be used as an I<sup>2</sup>C or SPI port.

**DTEN:** Discharge Timer Enable. Connect this pin to V<sub>REG</sub> to enable the Discharge Timer.

**DRIVE:** Connect the base of an NPN to this pin. Connect the collector to V<sup>+</sup> and the emitter to V<sub>REG</sub>.

**V<sub>REG</sub>:** 5V Regulator Input. Bypass with an external 1μF capacitor.

**ISOMD:** Serial Interface Mode. Connecting ISOMD to V<sub>REG</sub> configures pins 53, 54, 61 and 62 of the LTC6813-1 for 2-wire isolated interface (isoSPI) mode. Connecting ISOMD to V<sup>-</sup> configures the LTC6813-1 for 4-wire SPI mode.

**WDT:** Watchdog Timer Output Pin. This is an open drain NMOS digital output. It can be left unconnected or connected with a 1M resistor to V<sub>REG</sub>. If the LTC6813-1 does not receive a valid command within 2 seconds, the

watchdog timer circuit will reset the LTC6813-1 and the WDT pin will go high impedance.

### Serial Port Pins

	ISOMD = V <sub>REG</sub>	ISOMD = V <sup>-</sup>
PORT B (Pins 57, 58, 63 and 64)	IPB	IPB
	IMB	IMB
	ICMP	ICMP
	IBIAS	IBIAS
PORT A (Pins 53, 54, 61 and 62)	(NC)	SDO
	(NC)	SDI
	IPA	SCK
	IMA	CSB

**CSB, SCK, SDI, SDO:** 4-Wire Serial Peripheral Interface (SPI). Active low chip select (CSB), serial clock (SCK) and serial data in (SDI) are digital inputs. Serial data out (SDO) is an open drain NMOS output pin. SDO requires a 5k pull-up resistor.

**IPA, IMA:** Isolated 2-Wire Serial Interface Port A. IPA (plus) and IMA (minus) are a differential input/output pair.

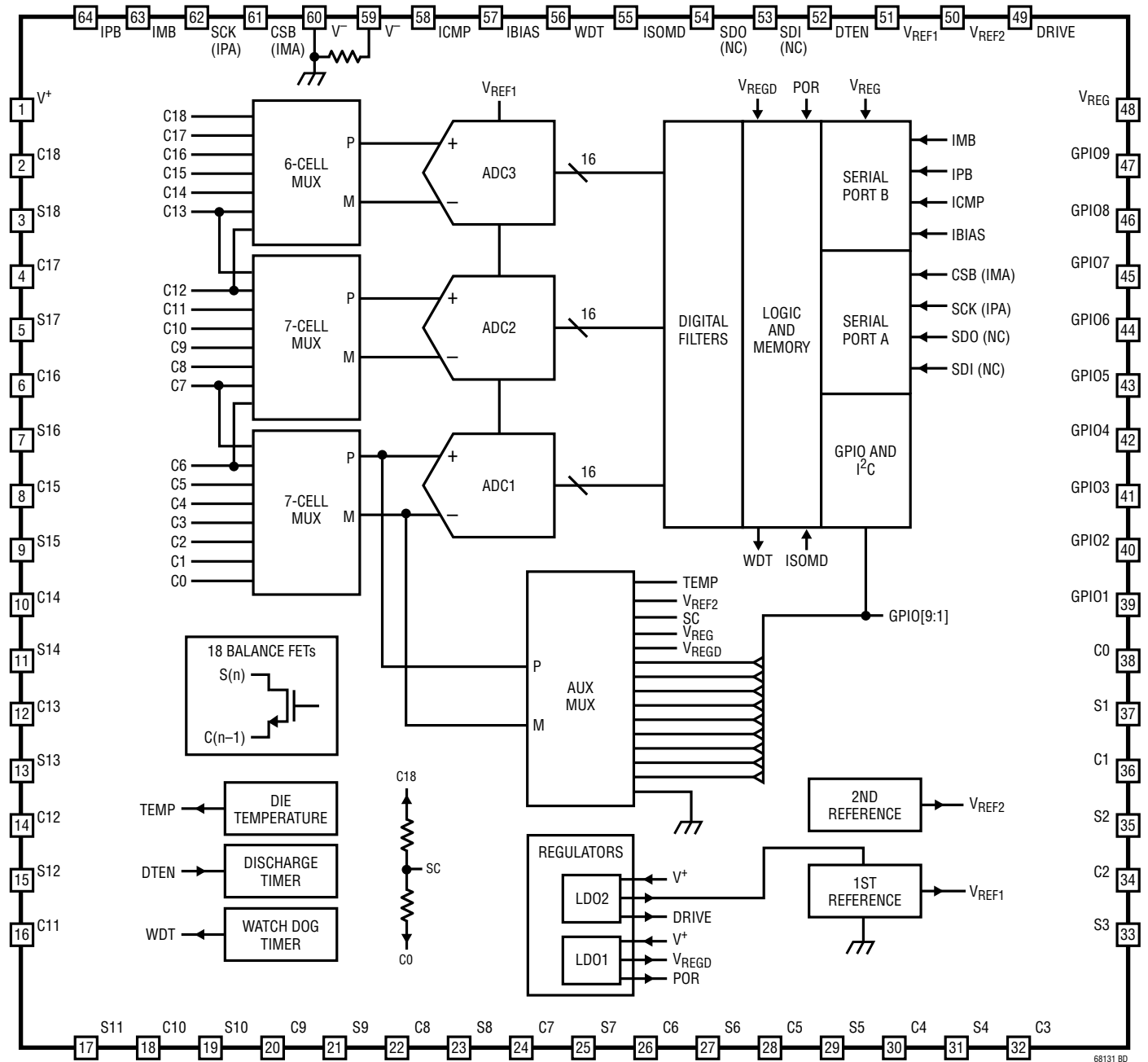
**IPB, IMB:** Isolated 2-Wire Serial Interface Port B. IPB (plus) and IMB (minus) are a differential input/output pair.

**IBIAS:** Isolated Interface Current Bias. Tie IBIAS to V<sup>-</sup> through a resistor divider to set the interface output current level. When the isoSPI interface is enabled, the IBIAS pin voltage is 2V. The IPA/IMA or IPB/IMB output current drive is set to 20 times the current, I<sub>B</sub>, sourced from the IBIAS pin.

**ICMP:** Isolated Interface Comparator Voltage Threshold Set. Tie this pin to the resistor divider between IBIAS and V<sup>-</sup> to set the voltage threshold of the isoSPI receiver comparators. The comparator thresholds are set to half the voltage on the ICMP pin.

**Exposed Pad:** V<sup>-</sup>. The Exposed Pad must be soldered to PCB.

**BLOCK DIAGRAM**



68131 BD



## IMPROVEMENTS FROM THE LTC6811-1

The LTC6813-1 is an evolution of the LTC6811-1 design. The following table summarizes the feature changes and additions in the LTC6813-1.

<b>ADDITIONAL LTC6813-1 FEATURES</b>	<b>BENEFITS</b>	<b>RELEVANT DATA SHEET SECTION(S)</b>
The LTC6813-1 Has 3 ADCs Operating Simultaneously vs 2 ADCs on LTC6811-1	3 Cells Can Be Measured During Each Conversion Cycle	<i>ADC Operation</i>
In Addition to the 3 ADC Digital Filters, There Is a 4th Filter Which Is Used for Redundancy	Checks That All Digital Filters are Free of Faults	<i>ADC Conversion with Digital Redundancy</i> for a description and PS[1:0] bits in Table 10
Measure Cell 7 with ADC1 and ADC2 Simultaneously and then Measure Cell 13 with ADC2 and ADC3 Simultaneously Using the ADOL Command	Checks That ADC2 Is as Accurate as ADC1 and Also Checks That ADC3 Is as Accurate as ADC2	<i>Overlap Cell Measurement (ADOL Command)</i>
A Monitoring Feature Can Be Enabled During the Discharge Timer. The Cell Balancing Can Be Automatically Terminated When Cell Voltages Reach a Programmable Undervoltage Threshold	Improved Cell Balancing	<i>Discharge Timer Monitor</i>
The Internal Discharge MOSFETs Can Provide 200mA of Balancing Current (80mA if the die temperature is over 95°C). The Balancing Current Is Independent of Cell Voltage	Faster Cell Balancing, Especially for Low Cell Voltages	<i>Cell Balancing with Internal MOSFETs</i>
The CO Pin Voltage Is Allowed to Range Between 0V and 1V Without Affecting Total Measurement Error (TME)	CO Does Not Have to Connect Directly to V <sup>-</sup>	<i>Input Range in Electrical Characteristics</i>
The MUTE and UNMUTE Commands Allow the Host to Turn Off/On the Discharge Pins (S Pins) Without Overwriting Register Values	Greater Control of Timing Between S Pins Turning Off and Cell Measurements	<i>S Pin Muting</i>
Auxiliary Measurements Have an Open-Wire Diagnostic Feature	Improved Fault Detection	<i>Auxiliary Open Wire Check (AXOW Command)</i>
Four Additional GPIO Pins Have Been Added for a Total of Nine	Increased Number of Temperature or Other Sensors That Can Be Measured	<i>Auxiliary (GPIO) Measurements (ADAX Command) and Auxiliary Open Wire Check (AXOW Command)</i>
A Daisy Chain of LTC6813-1s Can Operate in Both Directions (Both Ports Can Be Master or Slave)	Redundant Communication Path	<i>Reversible isoSPI</i>

## OPERATION

### STATE DIAGRAM

The operation of the LTC6813-1 is divided into two separate sections: the Core circuit and the isoSPI circuit. Both sections have an independent set of operating states, as well as a shutdown timeout.

### CORE LTC6813-1 STATE DESCRIPTIONS

#### SLEEP State

The references and ADCs are powered down. The watchdog timer (see Watchdog and Discharge Timer) has timed out. The discharge timer is either disabled or timed out. The supply currents are reduced to minimum levels. The isoSPI ports will be in the IDLE state. The DRIVE pin is 0V. All state machines are reset to their default states.

If a WAKE-UP signal is received (see Waking Up the Serial Interface), the LTC6813-1 will enter the STANDBY state.

#### STANDBY State

The references and the ADCs are off. The watchdog timer and/or the discharge timer is running. The DRIVE pin powers the  $V_{REG}$  pin to 5V through an external transistor. (Alternatively,  $V_{REG}$  can be powered by an external supply).

When a valid ADC command is received or the REFON bit is set to 1 in Configuration Register Group A, the IC

pauses for  $t_{REFUP}$  to allow for the references to power up and then enters either the REFUP or MEASURE state. Otherwise, if no valid commands are received for  $t_{SLEEP}$ , the IC returns to the SLEEP state if DTEN = 0 or enters the EXTENDED BALANCING state if DTEN = 1.

#### REFUP State

To reach this state, the REFON bit in Configuration Register Group A must be set to 1 (using the WRCFG command, see Table 36). The ADCs are off. The references are powered up so that the LTC6813-1 can initiate ADC conversions more quickly than from the STANDBY state.

When a valid ADC command is received, the IC goes to the MEASURE state to begin the conversion. Otherwise, the LTC6813-1 will return to the STANDBY state when the REFON bit is set to 0 (using WRCFG command). If no valid commands are received for  $t_{SLEEP}$ , the IC returns to the SLEEP state if DTEN = 0 or enters the EXTENDED BALANCING state if DTEN = 1.

#### MEASURE State

The LTC6813-1 performs ADC conversions in this state. The references and ADCs are powered up.

After ADC conversions are complete, the LTC6813-1 will transition to either the REFUP or STANDBY state, depending on the REFON bit. Additional ADC conversions can be

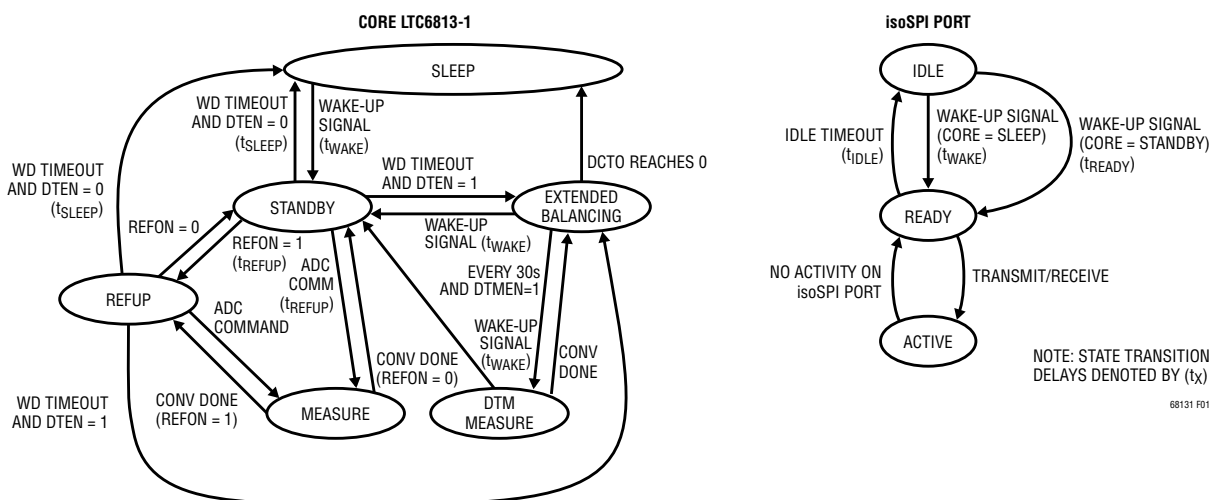


Figure 1. LTC6813-1 Operation State Diagram

## OPERATION

initiated more quickly by setting REFON = 1 to take advantage of the REFUP state.

*Note: Non-ADC commands do not cause a Core state transition. Only an ADC Conversion or diagnostic commands will place the Core in the MEASURE state.*

### EXTENDED BALANCING State

The watchdog timer has timed out, but the discharge timer has not yet timed out (DTEN = 1). Discharge by PWM may be in progress. If the Discharge Timer Monitor is enabled then the LTC6813-1 will transition to the DTM MEASURE state every 30 seconds to measure the cell voltages. If a WAKE-UP signal is received, the LTC6813-1 will transition from EXTENDED BALANCING state to STANDBY state.

### Discharge Timer Monitor MEASURE State

The watchdog timer has timed out but background monitoring has been enabled (DTMEN = 1 in Configuration Register Group B). The LTC6813-1 enters this state from the EXTENDED BALANCING state once every 30 seconds to measure the cell voltages. The LTC6813-1 is in the highest core power state and an A/D conversion is in progress. If a WAKE-UP signal is received, the LTC6813-1 will transition from DTM MEASURE state to STANDBY state.

### isoSPI STATE DESCRIPTIONS

*Note: The LTC6813-1 has two isoSPI ports (A and B), for daisy-chain communication.*

#### IDLE State

The isoSPI ports are powered down.

When isoSPI Port A or Port B receives a WAKE-UP signal (see Waking Up the Serial Interface), the isoSPI enters the READY state. This transition happens quickly (within  $t_{\text{READY}}$ ) if the Core is in the STANDBY state. If the Core is in the SLEEP state when the isoSPI receives a WAKE-UP signal, then it transitions to the READY state within  $t_{\text{WAKE}}$ .

#### READY State

The isoSPI port(s) are ready for communication. The serial interface current in this state depends on the status of the ISOMD pin and  $R_{\text{BIAS}} = R_{\text{B1}} + R_{\text{B2}}$  (the external resistors tied to the IBIAS pin).

If there is no activity (i.e., no WAKE-UP signal) on Port A or Port B for greater than  $t_{\text{IDLE}}$ , the LTC6813-1 goes to the IDLE state. When the serial interface is transmitting or receiving data, the LTC6813-1 goes to the ACTIVE state.

#### ACTIVE State

The LTC6813-1 is transmitting/receiving data using one or both of the isoSPI ports. The serial interface consumes maximum power in this state. The supply current increases with clock frequency as the density of isoSPI pulses increases.

### POWER CONSUMPTION

The LTC6813-1 is powered via two pins:  $V^+$  and  $V_{\text{REG}}$ . The  $V^+$  input requires voltage greater than or equal to the top cell voltage minus 0.3V, and it provides power to the high voltage elements of the Core circuits. The  $V_{\text{REG}}$  input requires 5V and provides power to the remaining Core circuits and the isoSPI circuitry. The  $V_{\text{REG}}$  input can be powered through an external transistor, driven by the regulated DRIVE output pin. Alternatively,  $V_{\text{REG}}$  can be powered by an external supply.

The power consumption varies according to the operational states. Table 1 and Table 2 provide equations to approximate the supply pin currents in each state. The  $V^+$  pin current depends only on the Core state. However, the  $V_{\text{REG}}$  pin current depends on both the Core state and isoSPI state, and can, therefore, be divided into two components. The isoSPI interface draws current only from the  $V_{\text{REG}}$  pin.

$$I_{\text{REG}} = I_{\text{REG(CORE)}} + I_{\text{REG(isoSPI)}}$$

In the SLEEP state, the  $V_{\text{REG}}$  pin will draw approximately 3.1 $\mu$ A if powered by an external supply. Otherwise, the  $V^+$  pin will supply the necessary current.

## OPERATION

**Table 1. Core Supply Current**

STATE		I <sub>VP</sub>	I <sub>REG(CORE)</sub>
SLEEP	V <sub>REG</sub> = 0V	6.1μA	0μA
	V <sub>REG</sub> = 5V	3μA	3.1μA
STANDBY		14μA	35μA
REFUP		550μA	900μA
MEASURE		950μA	15mA

**Table 2. isoSPI Supply Current Equations**

isoSPI STATE	ISOMD CONNECTION	I <sub>REG(isoSPI)</sub>
IDLE	N/A	0mA
READY	V <sub>REG</sub>	2.2mA + 3 • I <sub>B</sub>
	V <sup>-</sup>	1.5mA + 3 • I <sub>B</sub>
ACTIVE	V <sub>REG</sub>	Write: $2.5\text{mA} + \left(3 + 20 \cdot \frac{100\text{ns}}{t_{\text{CLK}}}\right) \cdot I_{\text{B}}$ Read: $2.5\text{mA} + \left(3 + 20 \cdot \frac{100\text{ns} \cdot 1.5}{t_{\text{CLK}}}\right) \cdot I_{\text{B}}$
	V <sup>-</sup>	$1.8\text{mA} + \left(3 + 20 \cdot \frac{100\text{ns}}{t_{\text{CLK}}}\right) \cdot I_{\text{B}}$

### ADC OPERATION

There are three ADCs inside the LTC6813-1. The three ADCs operate simultaneously when measuring eighteen cells. Only one ADC is used to measure the general purpose inputs. The following discussion uses the term ADC to refer to one or all ADCs, depending on the operation being performed. The following discussion will refer to ADC1, ADC2 and ADC3 when it is necessary to distinguish between the three circuits, in timing diagrams, for example.

### ADC Modes

The ADCOPT bit (CFGAR0[0]) in Configuration Register Group A and the mode selection bits MD[1:0] in the conversion command together provide eight modes of operation for the ADC which correspond to different

oversampling ratios (OSR). The accuracy and timing of these modes are summarized in Table 3. In each mode, the ADC first measures the inputs, and then performs a calibration of each channel. The names of the modes are based on the –3dB bandwidth of the ADC measurement.

**Mode 7kHz (Normal):** In this mode, the ADC has high resolution and low TME (Total Measurement Error). This is considered the normal operating mode because of the optimum combination of speed and accuracy.

**Mode 27kHz (Fast):** In this mode, the ADC has maximum throughput but has some increase in TME (Total Measurement Error). So this mode is also referred to as the fast mode. The increase in speed comes from a reduction in the oversampling ratio. This results in an increase in noise and average measurement error.

**Mode 26Hz (Filtered):** In this mode, the ADC digital filter –3dB frequency is lowered to 26Hz by increasing the OSR. This mode is also referred to as the filtered mode due to its low –3dB frequency. The accuracy is similar to the 7kHz (Normal) mode with lower noise.

**Modes 14kHz, 3kHz, 2kHz, 1kHz and 422Hz:** Modes 14kHz, 3kHz, 2kHz, 1kHz and 422Hz provide additional options to set the ADC digital filter –3dB at 13.5kHz, 3.4kHz, 1.7kHz, 845Hz and 422Hz, respectively. The accuracy of the 14kHz mode is similar to the 27kHz (Fast) mode. The accuracy of 3kHz, 2kHz, 1kHz and 422Hz modes is similar to the 7kHz (Normal) mode.

The filter bandwidths and the conversion times for these modes are provided in Table 3 and Table 5. If the Core is in STANDBY state, an additional t<sub>REFUP</sub> time is required to power up the reference before beginning the ADC conversions. The reference can remain powered up between ADC conversions if the REFON bit in Configuration Register Group A is set to 1 so the Core is in REFUP state after a delay t<sub>REFUP</sub>. Then, the subsequent ADC commands will not have the t<sub>REFUP</sub> delay before beginning ADC conversions.

## OPERATION

**Table 3. ADC Filter Bandwidth and Accuracy**

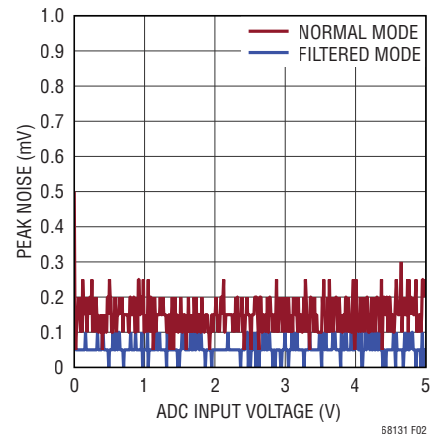
MODE	-3dB FILTER BW	-40dB FILTER BW	TME SPEC AT 3.3V, 25°C	TME SPEC AT 3.3V, -40°C, 125°C
27kHz (Fast Mode)	27kHz	84kHz	±6mV	±6mV
14kHz	13.5kHz	42kHz	±6mV	±6mV
7kHz (Normal Mode)	6.8kHz	21kHz	±2.2mV	±3.3mV
3kHz	3.4kHz	10.5kHz	±2.2mV	±3.3mV
2kHz	1.7kHz	5.3kHz	±2.2mV	±3.3mV
1kHz	845Hz	2.6kHz	±2.2mV	±3.3mV
422Hz	422Hz	1.3kHz	±2.2mV	±3.3mV
26Hz (Filtered Mode)	26Hz	82Hz	±2.2mV	±3.3mV

Note: TME is the Total Measurement Error.

### ADC Range and Resolution

The C inputs and GPIO inputs have the same range and resolution. The ADC inside the LTC6813-1 has an approximate range from -0.82V to +5.73V. Negative readings are rounded to 0V. The format of the data is a 16-bit unsigned integer where the LSB represents 100μV. Therefore, a reading of 0x80E8 (33,000 decimal) indicates a measurement of 3.3V.

Delta-Sigma ADCs have quantization noise which depends on the input voltage, especially at low oversampling ratios (OSR), such as in FAST mode. In some of the ADC modes, the quantization noise increases as the input voltage approaches the upper and lower limits of the ADC range. For example, the total measurement noise versus input voltage in normal and filtered modes is shown in Figure 2.


**Figure 2. Measurement Noise vs Input Voltage**

The specified range of the ADC is 0V to 5V. In Table 4, the precision range of the ADC is arbitrarily defined as 0.5V to 4.5V. This is the range where the quantization noise is relatively constant even in the lower OSR modes (see Figure 2). Table 4 summarizes the total noise in this range for all eight ADC operating modes. Also shown is the noise free resolution. For example, 14-bit noise free resolution in normal mode implies that the top 14 bits will be noise free with a DC input, but that the 15th and 16th Least Significant Bits (LSB) will flicker.

### ADC Range vs Voltage Reference Value

Typical ADCs have a range which is exactly twice the value of the voltage reference, and the ADC measurement error is directly proportional to the error in the voltage reference. The LTC6813-1 ADC is not typical. The absolute value of  $V_{REF1}$  is trimmed up or down to compensate for gain errors in the ADC. Therefore, the ADC Total Measurement Error (TME) specifications are superior to the  $V_{REF1}$  specifications. For example, the 25°C specification of the Total Measurement Error when measuring 3.300V in 7kHz (Normal) mode is ±2.2mV and the 25°C specification for  $V_{REF1}$  is 3.150V ± 150mV.

## OPERATION

### Measuring Cell Voltages (ADCV Command)

The ADCV command initiates the measurement of the battery cell inputs, pins C0 through C18. This command has options to select the number of channels to measure and the ADC mode. See the section on Commands for the ADCV command format.

Figure 3 illustrates the timing of the ADCV command which measures all eighteen cells. After the receipt of the ADCV command to measure all 18 cells, ADC1 sequentially measures the bottom 6 cells. ADC2 measures the

middle 6 cells and ADC3 measures the top 6 cells. After the cell measurements are complete, each channel is calibrated to remove any offset errors.

Table 5 shows the conversion times for the ADCV command measuring all 18 cells. The total conversion time is given by  $t_{6C}$  which indicates the end of the calibration step.

Figure 4 illustrates the timing of the ADCV command that measures only three cells.

**Table 4. ADC Range and Resolution**

MODE	FULL RANGE <sup>1</sup>	SPECIFIED RANGE	PRECISION RANGE <sup>2</sup>	LSB	FORMAT	MAX NOISE	NOISE FREE RESOLUTION <sup>3</sup>
27kHz (Fast)	-0.8192V to 5.7344V	0V to 5V	0.5V to 4.5V	100 $\mu$ V	Unsigned 16 Bits	$\pm 4\text{mV}_{\text{p-p}}$	10 Bits
14kHz						$\pm 1\text{mV}_{\text{p-p}}$	12 Bits
7kHz (Normal)						$\pm 250\mu\text{V}_{\text{p-p}}$	14 Bits
3kHz						$\pm 150\mu\text{V}_{\text{p-p}}$	14 Bits
2kHz						$\pm 100\mu\text{V}_{\text{p-p}}$	15 Bits
1kHz						$\pm 100\mu\text{V}_{\text{p-p}}$	15 Bits
422Hz						$\pm 100\mu\text{V}_{\text{p-p}}$	15 Bits
26Hz (Filtered)						$\pm 50\mu\text{V}_{\text{p-p}}$	16 Bits

1. Negative readings are rounded to 0V.

2. PRECISION RANGE is the range over which the noise is less than MAX NOISE.

3. NOISE FREE RESOLUTION is a measure of the noise level within the PRECISION RANGE.

# OPERATION

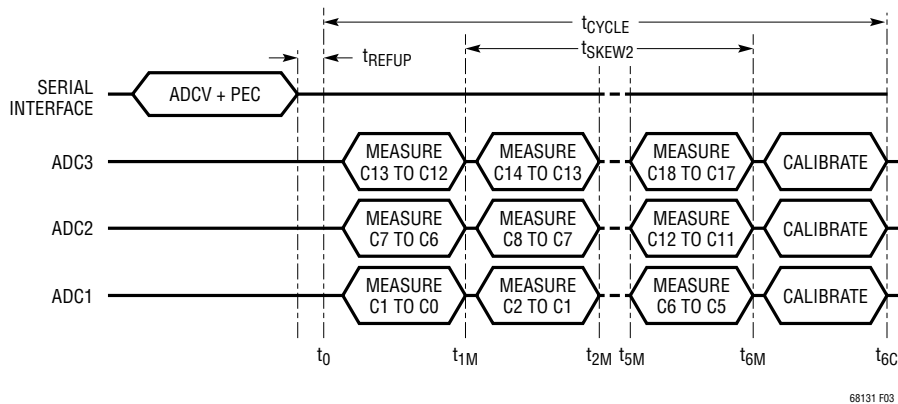


Figure 3. Timing for ADCV Command Measuring All 18 Cells

Table 5. Conversion and Synchronization Times for ADCV Command Measuring All 18 Cells in Different Modes

MODE	CONVERSION TIMES (IN $\mu\text{s}$ )						SYNCHRONIZATION TIME (IN $\mu\text{s}$ )
	$t_0$	$t_{1M}$	$t_{2M}$	$t_{5M}$	$t_{6M}$	$t_{6C}$	$t_{\text{SKEW2}}$
27kHz	0	58	104	244	291	1,121	233
14kHz	0	87	163	390	466	1,296	379
7kHz	0	145	279	681	815	2,343	670
3kHz	0	261	512	1,263	1,513	3,041	1,252
2kHz	0	494	977	2,426	2,909	4,437	2,415
1kHz	0	960	1,908	4,753	5,702	7,230	4,742
422Hz	0	1,890	3,770	9,408	11,287	12,816	9,397
26Hz	0	29,818	59,624	149,044	178,851	201,325	149,033

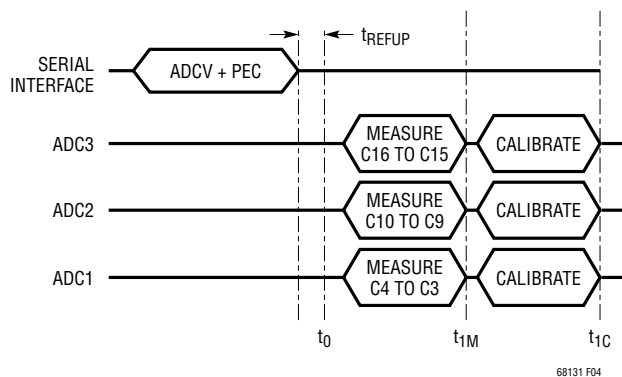


Figure 4. Timing for ADCV Command Measuring 3 Cells

## OPERATION

Table 6 shows the conversion time for the ADCV command measuring only 3 cells.  $t_{1C}$  indicates the total conversion time for this command.

**Table 6. Conversion Times for ADCV Command Measuring 3 Cells in Different Modes**

MODE	CONVERSION TIMES (IN $\mu$ S)		
	$t_0$	$t_{1M}$	$t_{1C}$
27kHz	0	58	203
14kHz	0	87	232
7kHz	0	145	407
3kHz	0	261	523
2kHz	0	494	756
1kHz	0	960	1,221
422Hz	0	1,890	2,152
26Hz	0	29,818	33,570

### Under/Over Voltage Monitoring

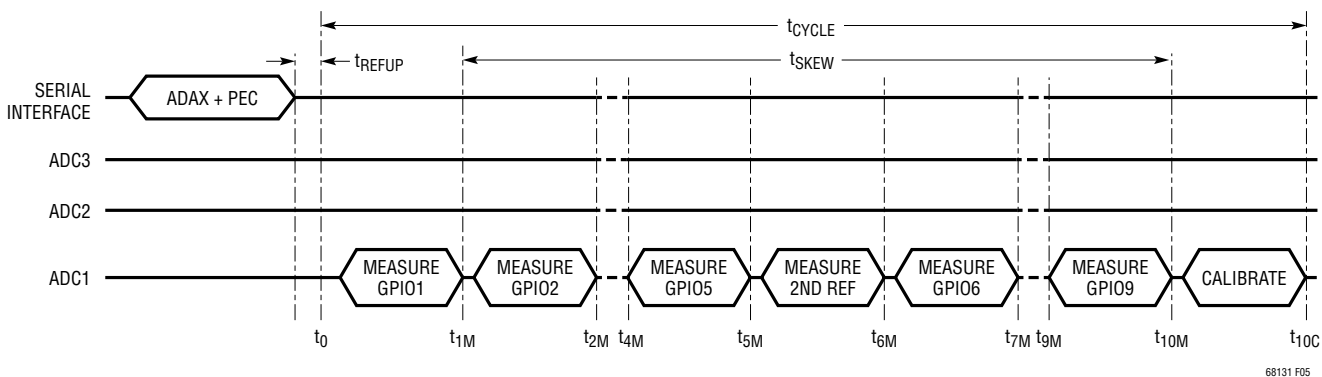
Whenever the C inputs are measured, the results are compared to undervoltage and overvoltage thresholds stored in memory. If the reading of a cell is above the overvoltage limit, a bit in memory is set as a flag. Similarly, measurement results below the undervoltage limit cause a flag to be set. The overvoltage and undervoltage thresholds are stored in Configuration Register Group A. The flags are stored in Status Register Group B and Auxiliary Register Group D.

### Auxiliary (GPIO) Measurements (ADAX Command)

The ADAX command initiates the measurement of the GPIO inputs. This command has options to select which GPIO input to measure (GPIO1–9) and which ADC mode to use. The ADAX command also measures the 2nd reference. There are options in the ADAX command to measure subsets of the GPIOs and the 2nd reference separately or to measure all nine GPIOs and the 2nd reference in a single command. See the section on Commands for the ADAX command format. All auxiliary measurements are relative to the  $V^-$  pin voltage. This command can be used to read external temperatures by connecting temperature sensors to the GPIOs. These sensors can be powered from the 2nd reference which is also measured by the ADAX command, resulting in precise ratiometric measurements.

Figure 5 illustrates the timing of the ADAX command measuring all GPIOs and the 2nd reference. All 10 measurements are carried out on ADC1 alone. The 2nd reference is measured after GPIO5 and before GPIO6.

Table 7 shows the conversion time for the ADAX command measuring all of the GPIOs and the 2nd reference.  $t_{10C}$  indicates the total conversion time.



**Figure 5. Timing for ADAX Command Measuring All GPIOs and 2nd Reference**



## OPERATION

**Table 7. Conversion and Synchronization Times for ADAX Command Measuring All GPIOs and 2nd Reference in Different Modes**

MODE	CONVERSION TIMES (IN $\mu\text{s}$ )						SYNCHRONIZATION TIME (IN $\mu\text{s}$ )
	$t_0$	$t_{1M}$	$t_{2M}$	$t_{9M}$	$t_{10M}$	$t_{10C}$	$t_{SKEW}$
27kHz	0	58	104	431	478	1,825	420
14kHz	0	87	163	693	769	2,116	682
7kHz	0	145	279	1,217	1,350	3,862	1,205
3kHz	0	261	512	2,264	2,514	5,025	2,253
2kHz	0	494	977	4,358	4,841	7,353	4,347
1kHz	0	960	1,908	8,547	9,496	12,007	8,536
422Hz	0	1,890	3,770	16,926	18,805	21,316	16,915
26Hz	0	29,818	59,624	268,271	298,078	335,498	268,260

### Auxiliary (GPIO) Measurements with Digital Redundancy (ADAXD Command)

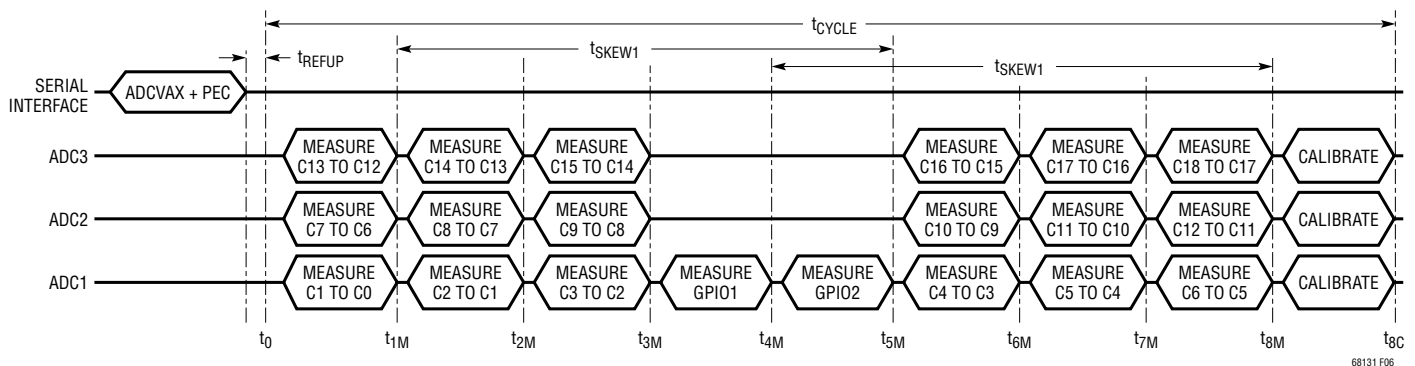
The ADAXD command operates similarly to the ADAX command except that an additional diagnostic is performed using digital redundancy. PS[1:0] in Configuration Register Group B must be set to 0 or 1 during ADAXD to enable redundancy. See the ADC Conversion with Digital Redundancy section.

The execution time of ADAX and ADAXD is the same.

### Measuring Cell Voltages and GPIOs (ADCVAX Command)

The ADCVAX command combines eighteen cell measurements with two GPIO measurements (GPIO1 and GPIO2). This command simplifies the synchronization of battery cell voltage and current measurements when current sensors are connected to GPIO1 or GPIO2 inputs. Figure 6 illustrates the timing of the ADCVAX command. See the section on Commands for the ADCVAX command format. The synchronization of the current and voltage measurements,  $t_{SKEW1}$ , in Fast mode is within 194 $\mu\text{s}$ .

Table 8 shows the conversion and synchronization time for the ADCVAX command in different modes. The total conversion time for the command is given by  $t_{8C}$ .



**Figure 6. Timing of ADCVAX Command**

## OPERATION

**Table 8. Conversion and Synchronization Times for ADCVAX Command in Different Modes**

MODE	CONVERSION TIMES (IN $\mu\text{s}$ )										SYNCHRONIZATION TIME (IN $\mu\text{s}$ )
	$t_0$	$t_{1M}$	$t_{2M}$	$t_{3M}$	$t_{4M}$	$t_{5M}$	$t_{6M}$	$t_{7M}$	$t_{8M}$	$t_{8C}$	$t_{\text{SKEW1}}$
27kHz	0	58	104	151	205	252	306	352	399	1,511	194
14kHz	0	87	163	238	321	397	480	556	632	1,744	310
7kHz	0	145	279	413	554	688	829	963	1,097	3,140	543
3kHz	0	261	512	762	1,020	1,270	1,527	1,778	2,028	4,071	1,008
2kHz	0	494	977	1,460	1,950	2,433	2,924	3,407	3,890	5,933	1,939
1kHz	0	960	1,908	2,857	3,812	4,761	5,717	6,665	7,613	9,657	3,801
422Hz	0	1,890	3,770	5,649	7,536	9,415	11,302	13,181	15,061	17,104	7,525
26Hz	0	29,818	59,624	89,431	119,245	149,052	178,866	208,672	238,479	268,450	119,234

### DATA ACQUISITION SYSTEM DIAGNOSTICS

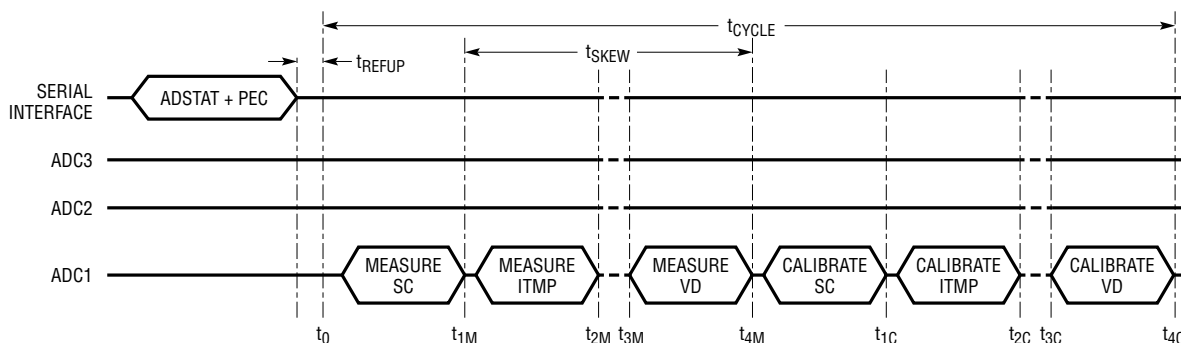
The battery monitoring data acquisition system is comprised of the multiplexers, ADCs, 1st reference, digital filters and memory. To ensure long term reliable performance there are several diagnostic commands which can be used to verify the proper operation of these circuits.

#### Measuring Internal Device Parameters (ADSTAT Command)

The ADSTAT command is a diagnostic command that measures the following internal device parameters: Sum of All Cells (SC), Internal Die Temperature (ITMP), Analog

Power Supply (VA) and the Digital Power Supply (VD). These parameters are described in the section below. All the 8 ADC modes described earlier are available for these conversions. See the section on Commands for the ADSTAT command format. Figure 7 illustrates the timing of the ADSTAT command measuring all 4 internal device parameters.

Table 9 shows the conversion time of the ADSTAT command measuring all 4 internal parameters.  $t_{4C}$  indicates the total conversion time for the ADSTAT command.



**Figure 7. Timing for ADSTAT Command Measuring SC, ITMP, VA, VD**

68131 F07

## OPERATION

**Table 9. Conversion and Synchronization Times for ADSTAT Command Measuring SC, ITMP, VA, VD in Different Modes**

MODE	CONVERSION TIMES (IN $\mu\text{s}$ )						SYNCHRONIZATION TIME (IN $\mu\text{s}$ )
	$t_0$	$t_{1M}$	$t_{2M}$	$t_{3M}$	$t_{4M}$	$t_{4C}$	$t_{SKEW}$
27kHz	0	58	104	151	198	742	140
14kHz	0	87	163	238	314	858	227
7kHz	0	145	279	413	547	1,556	402
3kHz	0	261	512	762	1,012	2,022	751
2kHz	0	494	977	1,460	1,943	2,953	1,449
1kHz	0	960	1,908	2,857	3,805	4,814	2,845
422Hz	0	1,890	3,770	5,649	7,529	8,538	5,638
26Hz	0	29,818	59,624	89,431	119,238	134,211	89,420

**Sum of All Cells Measurement:** The Sum of All Cells measurement is the voltage between C18 and C0 with a 30:1 attenuation. The 16-bit ADC value of Sum of All Cells measurement (SC) is stored in Status Register Group A. Any potential difference between the C0 and  $V^-$  pins results in an error in the SC measurement equal to this difference. From the SC value, the sum of all cell voltage measurements is given by:

$$\text{Sum of All Cells} = \text{SC} \cdot 30 \cdot 100\mu\text{V}$$

**Internal Die Temperature:** The ADSTAT command can measure the internal die temperature. The 16-bit ADC value of the die temperature measurement (ITMP) is stored in Status Register Group A. From ITMP, the actual die temperature is calculated using the expression:

$$\text{Internal Die Temperature (}^\circ\text{C)} = \text{ITMP} \cdot \left( \frac{100\mu\text{V}}{7.6\text{mV}} \right)^\circ\text{C} - 27^\circ\text{C}$$

**Power Supply Measurements:** The ADSTAT command is also used to measure the Analog Power Supply ( $V_{\text{REG}}$ ) and Digital Power Supply ( $V_{\text{REGD}}$ ). The 16-bit ADC value of the analog power supply measurement (VA) is stored in Status Register Group A. The 16-bit ADC value of the digital power supply measurement (VD) is stored in Status Register Group B. From VA and VD, the power supply measurements are given by:

$$\text{Analog Power Supply Measurement (}V_{\text{REG}}) = V_A \cdot 100\mu\text{V}$$

$$\text{Digital Power Supply Measurement (}V_{\text{REGD}}) = V_D \cdot 100\mu\text{V}$$

The value of  $V_{\text{REG}}$  is determined by external components.  $V_{\text{REG}}$  should be between 4.5V and 5.5V to maintain accuracy. The value of  $V_{\text{REGD}}$  is determined by internal components. The normal range of  $V_{\text{REGD}}$  is 2.7V to 3.6V.

### Measuring Internal Device Parameters with Digital Redundancy (ADSTATD Command)

The ADSTATD command operates similarly to the ADSTAT command except that an additional diagnostic is performed using digital redundancy. PS[1:0] in Configuration Register Group B must be set to 0 or 1 during ADSTATD to enable redundancy. See the ADC Conversion with Digital Redundancy section.

The execution time of ADSTAT and ADSTATD is the same.

### ADC Conversion with Digital Redundancy

Each of the three internal ADCs contains its own digital integration and differentiation machine. The LTC6813-1 also contains a fourth digital integration and differentiation machine that is used for redundancy and error checking.

All of the ADC and self test commands, except ADAX and ADSTAT, can operate with digital redundancy. This includes ADCV, ADOW, CVST, ADOL, ADAXD, AXOW, AXST, ADSTATD, STATST, ADCVAX and ADCVSC. When performing an ADC conversion with redundancy, the analog modulator sends its bit stream to both the primary digital machine and the redundant digital machine. At the end of the conversion the results from the two machines are compared. If any result bit mismatch is detected then a digital redundancy fault code is stored in place of the

## OPERATION

ADC result. The digital redundancy fault code is a value of 0xFF0X. This is detectable because it falls outside the normal result range of 0x0000 to 0xDFFF. The last four bits are used to indicate which nibble(s) of the result values did not match.

### Indication of Digital Redundancy Fault Codes

DIGITAL REDUNDANCY FAULT CODE 4 LSBs	INDICATION
0b0XXX	No fault detected in bits 15–12
0b1XXX	Fault detected in bits 15–12
0bX0XX	No fault detected in bits 11–8
0bX1XX	Fault detected in bits 11–8
0bXX0X	No fault detected in bits 7–4
0bXX1X	Fault detected in bits 7–4
0bXXX0	No fault detected in bits 3–0
0bXXX1	Fault detected in bits 3–0
0b0000	The digital redundancy feature will not write this value of all zeros in the last 4 bits

Since there is a single redundant digital machine, it can apply redundancy to only one ADC at a time. By default, the LTC6813-1 will automatically select ADC path redundancy. However, the user can choose an ADC redundancy path

selection by writing to the PS[1:0] bits in Configuration Register Group B.

Table 10 shows all possible ADC path redundancy selections.

When the FDRF bit in Configuration Register Group B is written to 1 it will force the digital redundancy comparison to fail during subsequent ADC conversions.

### Measuring Cell Voltages and Sum of All Cells (ADCVSC Command)

The ADCVSC command combines eighteen cell measurements and the measurement of Sum of All Cells. This command simplifies the synchronization of the individual battery cell voltage and the total Sum of All Cells measurements. Figure 8 illustrates the timing of the ADCVSC command. See the section on Commands for the ADCVSC command format. The synchronization of the cell voltage and Sum of All Cells measurements,  $t_{SKEW}$ , in Fast mode is within 147 $\mu$ s.

Table 11 shows the conversion and synchronization time for the ADCVSC command in different modes. The total conversion time for the command is given by  $t_{7C}$ .

**Table 10. ADC Path Redundancy Selection**

MEASURE	PS[1:0] = 00		PS[1:0] = 01		PS[1:0] = 10		PS[1:0] = 11	
	PATH SELECT	REDUNDANT MEASURE	PATH SELECT	REDUNDANT MEASURE	PATH SELECT	REDUNDANT MEASURE	PATH SELECT	REDUNDANT MEASURE
Cells 1, 7, 13	ADC1	Cell 1	ADC1	Cell 1	ADC2	Cell 7	ADC3	Cell 13
Cells 2, 8, 14	ADC2	Cell 8	ADC1	Cell 2	ADC2	Cell 8	ADC3	Cell 14
Cells 3, 9, 15	ADC3	Cell 15	ADC1	Cell 3	ADC2	Cell 9	ADC3	Cell 15
Cells 4, 10, 16	ADC1	Cell 4	ADC1	Cell 4	ADC2	Cell 10	ADC3	Cell 16
Cells 5, 11, 17	ADC2	Cell 11	ADC1	Cell 5	ADC2	Cell 11	ADC3	Cell 17
Cells 6, 12, 18	ADC3	Cell 18	ADC1	Cell 6	ADC2	Cell 12	ADC3	Cell 18
Cell 7 (ADOL)	ADC2	Cell 7	ADC1	Cell 7	ADC2	Cell 7	ADC3	N/A
Cell 13 (ADOL)	ADC2	Cell 13	ADC1	N/A	ADC2	Cell 13	ADC3	Cell 13
GPIO[n]*	ADC1	GPIO[n]	ADC1	GPIO[n]	ADC2	N/A	ADC3	N/A
2nd Reference*	ADC1	2nd Ref	ADC1	2nd Ref	ADC2	N/A	ADC3	N/A
SC*	ADC1	SC	ADC1	SC	ADC2	N/A	ADC3	N/A
ITMP*	ADC1	ITMP	ADC1	ITMP	ADC2	N/A	ADC3	N/A
VA*	ADC1	VA	ADC1	VA	ADC2	N/A	ADC3	N/A
VD*	ADC1	VD	ADC1	VD	ADC2	N/A	ADC3	N/A

\*Note that the ADAX and ADSTAT commands are identical to the ADAXD and ADSTATD commands except that ADAX and ADSTAT will not apply any digital redundancy.

## OPERATION

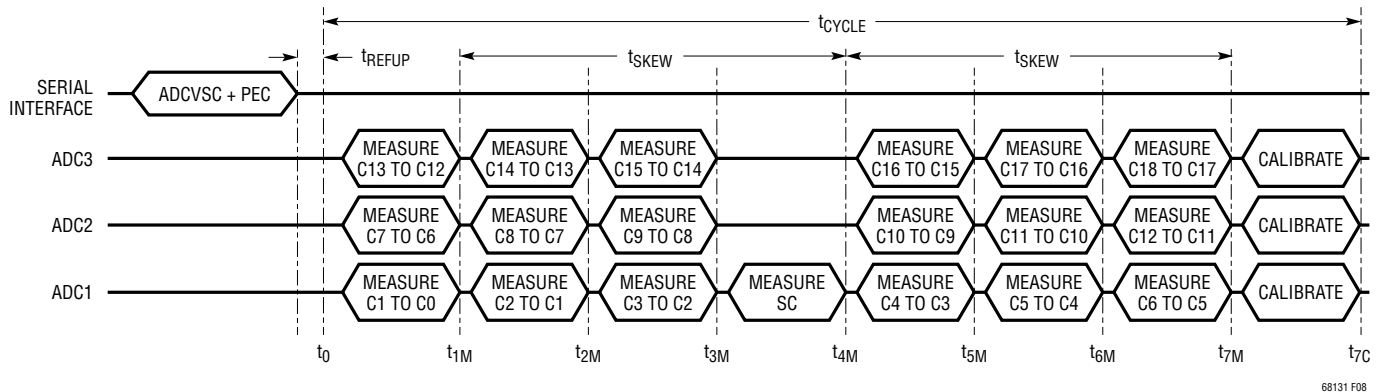


Figure 8. Timing for ADCVSC Command Measuring All 18 Cells, SC

Table 11. Conversion and Synchronization Times for ADCVSC Command in Different Modes

MODE	CONVERSION TIMES (IN $\mu\text{s}$ )									SYNCHRONIZATION TIME (IN $\mu\text{s}$ )
	$t_0$	$t_{1M}$	$t_{2M}$	$t_{3M}$	$t_{4M}$	$t_{5M}$	$t_{6M}$	$t_{7M}$	$t_{7C}$	$t_{SKEW}$
27kHz	0	58	104	151	205	259	306	352	1,331	147
14kHz	0	87	163	238	321	404	480	556	1,534	235
7kHz	0	145	279	413	554	695	829	963	2,756	409
3kHz	0	261	512	762	1,020	1,277	1,527	1,778	3,571	758
2kHz	0	494	977	1,460	1,950	2,441	2,924	3,407	5,200	1,456
1kHz	0	960	1,908	2,857	3,812	4,768	5,717	6,665	8,458	2,853
422Hz	0	1,890	3,770	5,649	7,536	9,423	11,302	13,181	14,974	5,645
26Hz	0	29,818	59,624	89,431	119,245	149,059	178,866	208,672	234,902	89,427

## OPERATION

### Overlap Cell Measurement (ADOL Command)

The ADOL command first simultaneously measures Cell 7 with ADC1 and ADC2. Then it simultaneously measures Cell 13 with both ADC2 and ADC3. The host can compare the results against each other to look for inconsistencies which may indicate a fault. The result of the Cell 7 measurement from ADC2 is placed in Cell Voltage Register Group C where the Cell 7 result normally resides. The result from ADC1 is placed in Cell Voltage Register Group C where the Cell 8 result normally resides. The result of the Cell 13 measurement from ADC3 is placed in Cell Voltage Register Group E where the Cell 13 result normally resides. The result from ADC2 is placed in Cell Voltage Register Group E where the Cell 14 result normally resides. Figure 9 illustrates the timing of the ADOL command. See the section on Commands for the ADOL command format.

Table 12 shows the conversion time for the ADOL command.  $t_{2C}$  indicates the total conversion time for this command.

### Accuracy Check

Measuring an independent voltage reference is the best means to verify the accuracy of a data acquisition system. The LTC6813-1 contains a 2nd reference for this purpose. The ADAX command will initiate the measurement of the 2nd reference. The results are placed in Auxiliary Register Group B. The range of the result depends on the ADC1 measurement accuracy and the accuracy of the 2nd reference, including thermal hysteresis and long term drift. Readings outside the range 2.990V to 3.014V (2.992V to 3.012V for LTC6813I) indicate the system is out of its specified tolerance. ADC2 is verified by comparing it to ADC1 using the ADOL command. ADC3 is verified by comparing it to ADC2 using the ADOL command.

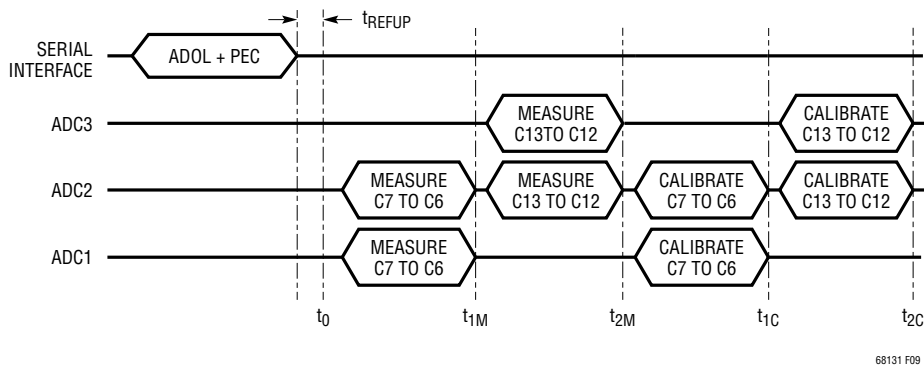


Figure 9. Timing for ADOL Command

Table 12. Conversion Times for ADOL Command

MODE	CONVERSION TIMES (IN $\mu$ s)			
	$t_0$	$t_{1M}$	$t_{2M}$	$t_{2C}$
27kHz	0	58	106	384
14kHz	0	87	164	442
7kHz	0	146	281	791
3kHz	0	262	513	1,024
2kHz	0	495	979	1,490
1kHz	0	960	1,910	2,420
422Hz	0	1,891	3,772	4,282
26Hz	0	29,818	59,626	67,119

## OPERATION

### MUX Decoder Check

The diagnostic command DIAGN ensures the proper operation of each multiplexer channel. The command cycles through all channels and sets the MUXFAIL bit to 1 in Status Register Group B if any channel decoder fails. The MUXFAIL bit is set to 0 if the channel decoder passes the test. The MUXFAIL is also set to 1 on power-up (POR) or after a CLRSTAT command.

The DIAGN command takes about 400µs to complete if the Core is in REFUP state and about 4.5ms to complete if the Core is in STANDBY state. The polling methods described in the section Polling Methods can be used to determine the completion of the DIAGN command.

### Digital Filter Check

The delta-sigma ADC is composed of a 1-bit pulse density modulator followed by a digital filter. A pulse density modulated bit stream has a higher percentage of 1s for higher analog input voltages. The digital filter converts this high frequency 1-bit stream into a single 16-bit word.

This is why a delta-sigma ADC is often referred to as an oversampling converter.

The self test commands verify the operation of the digital filters and memory. Figure 10 illustrates the operation of the ADC during self test. The output of the 1-bit pulse density modulator is replaced by a 1-bit test signal. The test signal passes through the digital filter and is converted to a 16-bit value. The 1-bit test signal undergoes the same digital conversion as the regular 1-bit signal from the modulator, so the conversion time for any self test command is exactly the same as the corresponding regular ADC conversion command. The 16-bit ADC value is stored in the same register groups as the corresponding regular ADC conversion command. The test signals are designed to place alternating one-zero patterns in the registers. Table 13 provides a list of the self test commands. If the digital filters and memory are working properly, then the registers will contain the values shown in Table 13. For more details see the Commands section.

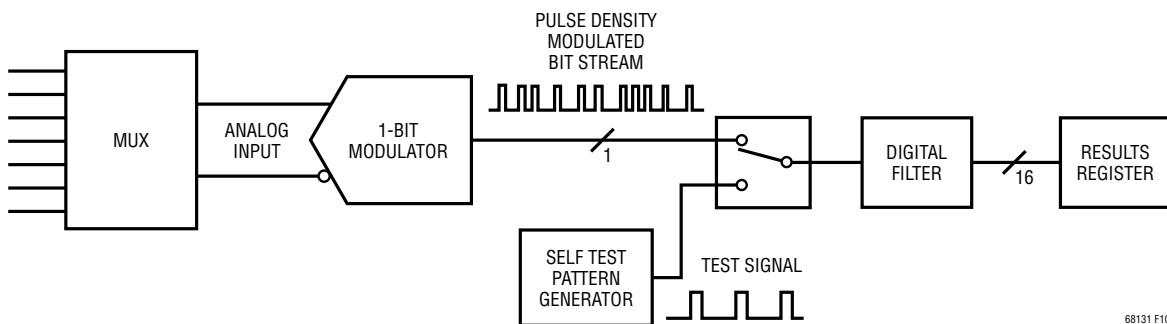


Figure 10. Operation of LTC6813-1 ADC Self Test

Table 13. Self Test Command Summary

COMMAND	SELF TEST OPTION	OUTPUT PATTERN IN DIFFERENT ADC MODES			RESULTS REGISTER GROUPS
		27kHz	14kHz	7kHz, 3kHz, 2kHz, 1kHz, 422Hz, 26Hz	
CVST	ST[1:0] = 01	0x9565	0x9553	0x9555	C1V to C18V (CVA, CVB, CVC, CVD, CVE, CVF)
	ST[1:0] = 10	0x6A9A	0x6AAC	0x6AAA	
AXST	ST[1:0] = 01	0x9565	0x9553	0x9555	G1V to G9V, REF (AUXA, AUXB, AUXC, AUXD)
	ST[1:0] = 10	0x6A9A	0x6AAC	0x6AAA	
STATST	ST[1:0] = 01	0x9565	0x9553	0x9555	SC, ITMP, VA, VD (STATA, STATB)
	ST[1:0] = 10	0x6A9A	0x6AAC	0x6AAA	

## OPERATION

### ADC Clear Commands

LTC6813-1 has 3 clear ADC commands: CLRCELL, CLRAUX and CLRSTAT. These commands clear the registers that store all ADC conversion results.

The CLRCELL command clears Cell Voltage Register Groups A, B, C, D, E and F. All bytes in these registers are set to 0xFF by CLRCELL command.

The CLRAUX command clears Auxiliary Register Groups A, B, C and D. All bytes in these registers, except the last four registers of Group D, are set to 0xFF by CLRAUX command.

The CLRSTAT command clears Status Register Groups A and B except the REV and RSVD bits in Status Register Group B. A read back of REV will return the revision code of the part. RSVD bits always read back 0s. All OV and UV flags, MUXFAIL bit, and THSD bit in Status Register Group B and also in Auxiliary Register Group D are set to 1 by CLRSTAT command. The THSD bit is set to 0 after RDSTATB command. The registers storing SC, ITMP, VA and VD are all set to 0xFF by CLRSTAT command.

### Open Wire Check (ADOW Command)

The ADOW command is used to check for any open wires between the ADCs of the LTC6813-1 and the external cells. This command performs ADC conversions on the C pin inputs identically to the ADCV command, except two internal current sources sink or source current into the two C pins while they are being measured. The pull-up (PUP) bit of the ADOW command determines whether the current sources are sinking or sourcing 100 $\mu$ A.

The following simple algorithm can be used to check for an open wire on any of the 19 C pins:

1. Run the 18-cell command ADOW with PUP = 1 at least twice. Read the cell voltages for cells 1 through 18 once at the end and store them in array CELL<sub>P<sub>U</sub></sub>(n).
2. Run the 18-cell command ADOW with PUP = 0 at least twice. Read the cell voltages for cells 1 through 18 once at the end and store them in array CELL<sub>P<sub>D</sub></sub>(n).
3. Take the difference between the pull-up and pull-down measurements made in above steps for cells 2 to 18: CELL <sub>$\Delta$</sub> (n) = CELL<sub>P<sub>U</sub></sub>(n) – CELL<sub>P<sub>D</sub></sub>(n).
4. For all values of n from 1 to 17: If CELL <sub>$\Delta$</sub> (n+1) < –400mV, then C(n) is open. If CELL<sub>P<sub>U</sub></sub>(1) = 0.0000, then C(0) is open. If CELL<sub>P<sub>D</sub></sub>(18) = 0.0000, then C(18) is open.

The above algorithm detects open wires using normal mode conversions with as much as 10nF of capacitance remaining on the LTC6813-1 side of the open wire. However, if more external capacitance is on the open C pin, then the length of time that the open wire conversions are ran in steps 1 and 2 must be increased to give the 100 $\mu$ A current sources time to create a large enough difference for the algorithm to detect an open connection. This can be accomplished by running more than two ADOW commands in steps 1 and 2, or by using filtered mode conversions instead of normal mode conversions. Use Table 14 to determine how many conversions are necessary:

**Table 14.**

EXTERNAL C PIN CAPACITANCE	NUMBER OF ADOW COMMANDS REQUIRED IN STEPS 1 AND 2	
	NORMAL MODE	FILTERED MODE
≤10nF	2	2
100nF	10	2
1 $\mu$ F	100	2
C	1 + ROUNDUP (C/10nF)	2

### Auxiliary Open Wire Check (AXOW Command)

The AXOW command is used to check for any open wires between the GPIO pins of the LTC6813-1 and the external circuit. This command performs ADC conversions on the GPIO pin inputs identically to the ADAX command, except internal current sources sink or source current into each GPIO pin while it is being measured. The pull-up (PUP) bit of the AXOW command determines whether the current sources are sinking or sourcing 100 $\mu$ A.

### Thermal Shutdown

To protect the LTC6813-1 from overheating, there is a thermal shutdown circuit included inside the IC. If the temperature detected on the die goes above approximately 150°C, the thermal shutdown circuit trips and resets the Configuration Register Groups (except the MUTE bit) and turns off all discharge switches. When



## OPERATION

a thermal shutdown event has occurred, the THSD bit in Status Register Group B will go high. The CLRSTAT command can also set the THSD bit high for diagnostic purposes. This bit is cleared when a read operation is performed on Status Register Group B (RDSTATB command). The CLRSTAT command sets the THSD bit high for diagnostic purposes but does not reset the Configuration Register Groups.

### Revision Code

The Status Register Group B contains a 4-bit revision code (REV). If software detection of device revision is necessary, then contact the factory for details. Otherwise, the code can be ignored. In all cases, however, the values of all bits must be used when calculating the Packet Error Code (PEC) on data reads.

### WATCHDOG AND DISCHARGE TIMER

When there is no valid command for more than 2 seconds, the watchdog timer expires. This resets Configuration

Register bytes CFGAR0, CFGAR1-3 (if DTMEN = 0) and the GPIO bits in Configuration Register Group B in all cases. CFGAR4, CFGAR5, the S Control Register Group (including S control bits in PWM/S Control Register Group B) and the remainder of Configuration Register Group B are reset by the watchdog timer when the discharge timer is disabled. The WDT pin is pulled high by the external pull-up when the watchdog time elapses. The watchdog timer is always enabled and it resets after every valid command with matching command PEC.

The discharge timer is used to keep the discharge switches turned ON for programmable time duration. If the discharge timer is being used, the discharge switches are not turned OFF when the watchdog timer is activated.

To enable the discharge timer, connect the DTEN pin to  $V_{REG}$  (Figure 11). In this configuration, the discharge switches will remain ON for the programmed time duration that is determined by the DCTO value written in Configuration Register Group A. Table 15 shows the various time settings and the corresponding DCTO value.

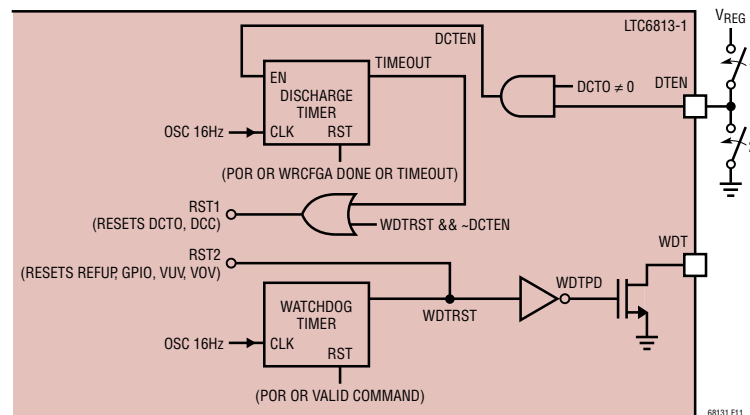


Figure 11. Watchdog and Discharge Timer

## OPERATION

**Table 15. DCTO Settings**

DCTO	0	1	2	3	4	5	6	7	8	9	A	B	C	D	E	F
TIME (MIN)	Disabled	0.5	1	2	3	4	5	10	15	20	30	40	60	75	90	120

**Table 16.**

	WATCHDOG TIMER	DISCHARGE TIMER
DTEN = 0, DCTO = XXXX	Resets CFGAR0-5, CFGBR0-1 and SCTRL When It Fires	Disabled
DTEN = 1, DCTO = 0000	Resets CFGAR0-5, CFGBR0-1 and SCTRL When It Fires	Disabled
DTEN = 1, DCTO != 0000	Resets CFGAR0, CFGAR1-3 (if DTMEN = 0) and GPIO Bits in CFGBR0 When It Fires	Resets CFGAR1-3 (if DTMEN = 1), CFGAR4-5, SCTRL and Remainder of CFGBR0-1 (except MUTE Bit) When It Fires

Table 16 summarizes the status of the Configuration Register Groups after a watchdog timer or discharge timer event.

The status of the discharge timer can be determined by reading Configuration Register Group A using the RDCFGA command. The DCTO value indicates the time left before the discharge timer expires as shown in Table 17.

**Table 17.**

DCTO (READ VALUE)	DISCHARGE TIME LEFT (MIN)
0	Disabled (or) Timer Has Timed Out
1	$0 < \text{Timer} \leq 0.5$
2	$0.5 < \text{Timer} \leq 1$
3	$1 < \text{Timer} \leq 2$
4	$2 < \text{Timer} \leq 3$
5	$3 < \text{Timer} \leq 4$
6	$4 < \text{Timer} \leq 5$
7	$5 < \text{Timer} \leq 10$
8	$10 < \text{Timer} \leq 15$
9	$15 < \text{Timer} \leq 20$
A	$20 < \text{Timer} \leq 30$
B	$30 < \text{Timer} \leq 40$
C	$40 < \text{Timer} \leq 60$
D	$60 < \text{Timer} \leq 75$
E	$75 < \text{Timer} \leq 90$
F	$90 < \text{Timer} \leq 120$

Unlike the watchdog timer, the discharge timer does not reset when there is a valid command. The discharge timer can only be reset after a valid WR CFGA (Write Configuration Register Group A) command. There is a possibility that the discharge timer will expire in the middle of some commands.

If the discharge timer activates in the middle of a WR CFGA command, the Configuration Register Groups and S Control Register Group (including S control bits in PWM/S Control Register Group B) will reset as per Table 16. However, at the end of the valid WR CFGA command, the new data is copied to Configuration Register Group A. The new configuration data is not lost when the discharge timer is activated.

If the discharge timer activates in the middle of a RDCFGA or RDCFGB command, the Configuration Register Groups reset as per Table 16. As a result, the read back data from bytes CFGAR4 and CFGAR5 and CFGBR0 and CFGBR1 could be corrupted. If the discharge timer activates in the middle of a RDSCTRL or RDPSB command, the S Control Register Group (including S control bits in PWM/S Control Register Group B) resets as per Table 16. As a result, the read back data could be corrupted.

## OPERATION

### RESET BEHAVIORS

Power cycling, thermal shutdown, watchdog timeout and discharge timeout can cause various registers and circuitry to reset when they occur. The following summarizes the behaviors when these events occur:

RESET EVENT	DEVICE BEHAVIOR
Power Cycle ( $V^+$ and $V_{REG}$ both power cycled)	Transition to STANDBY state. All registers and state machines are reset to default values. Cell discharge is disabled.
Thermal Shutdown	Cell discharge is disabled, but S Control Register Group is not reset. All of Configuration Register Group A is reset. All of Configuration Register Group B is reset except the MUTE bit. The COMM Register Group is reset.
Watchdog Timeout (while Discharge Timer is Running)	Transition to EXTENDED BALANCING state. CFGAR0 of Configuration Register Group A is reset. If DTMEN (in Configuration Register Group B) = 0 then CFGAR1, CFGAR2 and CFGAR3 of Configuration Register Group A are reset. Bits [3:0] of CFGBR0 (the GPIO bits) of Configuration Register Group B are reset. The COMM Register Group is reset.
Watchdog Timeout (no Discharge Timer Running)	Transition to SLEEP state. Cell discharge is disabled. All state machines are reset. All of Configuration Register Group A is reset. All of Configuration Register Group B is reset. The PWM Register Group is reset. The S Control Register Group is reset. The PWM/S Control Register Group is reset. The COMM Register Group is reset.
Discharge Timeout (while Watchdog Timeout has Elapsed)	Transition to SLEEP state. Same behavior as the previous case above.
Discharge Timeout (while Watchdog Timeout is not Elapsed)	Cell discharge is disabled. The PWM Register Group is reset. The S Control Register Group is reset. The PWM/S Control Register Group is reset. If DTMEN (in Configuration Register Group B) = 1 then CFGAR1, CFGAR2 and CFGAR3 of Configuration Register Group A are reset. CFGAR4 and CFGAR5 of Configuration Register Group A are reset. Bits [7:4] of CFGBR0 of Configuration Register Group B are reset. All of CFGBR1 of Configuration Register Group B is reset except the MUTE bit.

## OPERATION

### S PIN PULSE-WIDTH MODULATION FOR CELL BALANCING

For additional control of cell discharging, the host may configure the S pins to operate using pulse-width modulation. While the watchdog timer is not expired, the DCC bits in the Configuration Register Groups control the S pins directly. After the watchdog timer expires, PWM operation begins and continues for the remainder of the selected discharge time or until a wake-up event occurs (and the watchdog timer is reset). During PWM operation, the DCC bits must be set to 1 for the PWM feature to operate.

Once PWM operation begins, the configurations in the PWM register may cause some or all S pins to be periodically de-asserted to achieve the desired duty cycle as shown in Table 18. Each PWM signal operates on a 30 second period. For each cycle, the duty cycle can be programmed from 0% to 100% in increments of  $1/15 = 6.67\%$  (2 seconds).

Each S pin PWM signal is sequenced at different intervals to ensure that no two pins switch on or off at the same time. The switching interval between channels is 62.5ms, and 1.125s is required for all eighteen pins to switch ( $18 \cdot 62.5\text{ms}$ ).

The default values of the PWM control settings (located in PWM Register Group and PWM/S Control Register Group B) are all 1s. Upon entering sleep mode, the PWM control settings will be initialized to their default values.

### DISCHARGE TIMER MONITOR

The LTC6813-1 has the ability to periodically monitor cell voltages while the discharge timer is active. The host should write the DTMEN bit in Configuration Register Group B to 1 to enable this feature.

When the discharge timer monitor is enabled and the watchdog timer has expired, the LTC6813-1 will perform a conversion of all cell voltages in 7kHz (Normal) mode every 30 seconds. The overvoltage and undervoltage comparisons will be performed and flags will be set if cells have crossed a threshold. For any undervoltage cells the discharge timer monitor will automatically clear the associated DCC bit in Configuration Register Group A or Configuration Register Group B so that the cell will no longer be discharged. Clearing the DCC bit will also disable PWM discharge. With this feature, the host can write the undervoltage threshold to the desired discharge level and use the discharge timer monitor to discharge all, or selected, cells (using either constant discharge or PWM discharge) down to that level.

During discharge timer monitoring, digital redundancy checking will be performed on the cell voltage measurements. If a digital redundancy failure occurs, all DCC bits will be cleared.

## OPERATION

Table 18. S Pin Pulse-Width Modulation Settings

DCC BIT (CONFIG REGISTER GROUPS)	PWMC SETTING	ON TIME (SECONDS)	OFF TIME (SECONDS)	DUTY CYCLE (%)
0	4'bXXXX	0	Continuously Off	0
1	4'b1111	Continuously On	0	100.0
1	4'b1110	28	2	93.3
1	4'b1101	26	4	86.7
1	4'b1100	24	6	80.0
1	4'b1011	22	8	73.3
1	4'b1010	20	10	66.7
1	4'b1001	18	12	60.0
1	4'b1000	16	14	53.3
1	4'b0111	14	16	46.7
1	4'b0110	12	18	40.0
1	4'b0101	10	20	33.3
1	4'b0100	8	22	26.7
1	4'b0011	6	24	20.0
1	4'b0010	4	26	13.3
1	4'b0001	2	28	6.7
1	4'b0000	0	Continuously Off	0

### I<sup>2</sup>C/SPI MASTER ON LTC6813-1 USING GPIOs

The I/O ports GPIO3, GPIO4 and GPIO5 on LTC6813-1 can be used as an I<sup>2</sup>C or SPI master port to communicate to an I<sup>2</sup>C or SPI slave. In the case of an I<sup>2</sup>C master, GPIO4 and GPIO5 form the SDA and SCL ports of the I<sup>2</sup>C interface, respectively. In the case of a SPI master, GPIO3, GPIO4 and GPIO5 become the CSBM, SDIOM and SCKM

ports of the SPI interface respectively. The SPI master on LTC6813-1 supports SPI mode 3 (CHPA = 1, CPOL = 1).

The GPIOs are open-drain outputs, so an external pull-up is required on these ports to operate as an I<sup>2</sup>C or SPI master. It is also important to write the GPIO bits to 1 in the Configuration Register Groups so these ports are not pulled low internally by the device.

## OPERATION

### COMM Register

LTC6813-1 has a 6-byte COMM register as shown in Table 19. This register stores all data and control bits required for I<sup>2</sup>C or SPI communication to a slave. The COMM register contains three bytes of data Dn[7:0] to be transmitted to or received from the slave device. ICOMn[3:0] specify control actions before transmitting/receiving each data byte. FCOMn[3:0] specify control actions after transmitting/receiving each data byte.

If the bit ICOMn[3] in the COMM register is set to 1, the part becomes a SPI master and if the bit is set to 0, the part becomes an I<sup>2</sup>C master.

Table 20 describes the valid write codes for ICOMn[3:0] and FCOMn[3:0] and their behavior when using the part as an I<sup>2</sup>C master.

Table 21 describes the valid write codes for ICOMn[3:0] and FCOMn[3:0] and their behavior when using the part as a SPI master.

Note that only the codes listed in Table 20 and Table 21 are valid for ICOMn[3:0] and FCOMn[3:0]. Writing any other code that is not listed in Table 20 and Table 21 to ICOMn[3:0] and FCOMn[3:0] may result in unexpected behavior on the I<sup>2</sup>C or SPI port.

**Table 19. COMM Register Memory Map**

REGISTER	RD/WR	BIT 7	BIT 6	BIT 5	BIT 4	BIT 3	BIT 2	BIT 1	BIT 0
COMM0	RD/WR	ICOM0[3]	ICOM0[2]	ICOM0[1]	ICOM0[0]	D0[7]	D0[6]	D0[5]	D0[4]
COMM1	RD/WR	D0[3]	D0[2]	D0[1]	D0[0]	FCOM0[3]	FCOM0[2]	FCOM0[1]	FCOM0[0]
COMM2	RD/WR	ICOM1[3]	ICOM1[2]	ICOM1[1]	ICOM1[0]	D1[7]	D1[6]	D1[5]	D1[4]
COMM3	RD/WR	D1[3]	D1[2]	D1[1]	D1[0]	FCOM1[3]	FCOM1[2]	FCOM1[1]	FCOM1[0]
COMM4	RD/WR	ICOM2[3]	ICOM2[2]	ICOM2[1]	ICOM2[0]	D2[7]	D2[6]	D2[5]	D2[4]
COMM5	RD/WR	D2[3]	D2[2]	D2[1]	D2[0]	FCOM2[3]	FCOM2[2]	FCOM2[1]	FCOM2[0]

**Table 20. Write Codes for ICOMn[3:0] and FCOMn[3:0] on I<sup>2</sup>C Master**

CONTROL BITS	CODE	ACTION	DESCRIPTION
ICOMn[3:0]	0110	START	Generate a START Signal on I <sup>2</sup> C Port Followed by Data Transmission
	0001	STOP	Generate a STOP Signal on I <sup>2</sup> C Port
	0000	BLANK	Proceed Directly to Data Transmission on I <sup>2</sup> C Port
	0111	No Transmit	Release SDA and SCL and Ignore the Rest of the Data
FCOMn[3:0]	0000	Master ACK	Master Generates an ACK Signal on Ninth Clock Cycle
	1000	Master NACK	Master Generates a NACK Signal on Ninth Clock Cycle
	1001	Master NACK + STOP	Master Generates a NACK Signal Followed by STOP Signal

**Table 21. Write Codes for ICOMn[3:0] and FCOMn[3:0] on SPI Master**

CONTROL BITS	CODE	ACTION	DESCRIPTION
ICOMn[3:0]	1000	CSBM Low	Generates a CSBM Low Signal on SPI Port (GPIO3)
	1010	CSBM Falling Edge	Drives CSBM (GPIO3) High, then Low
	1001	CSBM High	Generates a CSBM High Signal on SPI Port (GPIO3)
	1111	No Transmit	Releases the SPI Port and Ignores the Rest of the Data
FCOMn[3:0]	X000	CSBM Low	Holds CSBM Low at the End of Byte Transmission
	1001	CSBM High	Transitions CSBM High at the End of Byte Transmission

## OPERATION

### COMM Commands

Three commands help accomplish I<sup>2</sup>C or SPI communication to the slave device: WRCOMM, STCOMM and RDCOMM.

**WRCOMM Command:** This command is used to write data to the COMM register. This command writes 6 bytes of data to the COMM register. The PEC needs to be written at the end of the data. If the PEC does not match, all data in the COMM register is cleared to 1s when CSB goes high. See the section Bus Protocols for more details on a write command format.

**STCOMM Command:** This command initiates I<sup>2</sup>C/SPI communication on the GPIO ports. The COMM register contains 3 bytes of data to be transmitted to the slave. During this command, the data bytes stored in the COMM register are transmitted to the slave I<sup>2</sup>C or SPI device and the data received from the I<sup>2</sup>C or SPI device is stored in the COMM register. This command uses GPIO4 (SDA) and GPIO5 (SCL) for I<sup>2</sup>C communication or GPIO3 (CSBM), GPIO4 (SDIOM) and GPIO5 (SCKM) for SPI communication.

The STCOMM command is to be followed by 24 clock cycles for each byte of data to be transmitted to the slave device while holding CSB low. For example, to transmit three bytes of data to the slave, send STCOMM command and its PEC followed by 72 clock cycles. Pull CSB high at the end of the 72 clock cycles of STCOMM command.

During I<sup>2</sup>C or SPI communication, the data received from the slave device is updated in the COMM register.

**RDCOMM Command:** The data received from the slave device can be read back from the COMM register using the RDCOMM command. The command reads back six bytes of data followed by the PEC. See the section Bus Protocols for more details on a read command format.

Table 22 describes the possible read back codes for ICOMn[3:0] and FCOMn[3:0] when using the part as an I<sup>2</sup>C master. Dn[7:0] contains the data byte transmitted by the I<sup>2</sup>C slave.

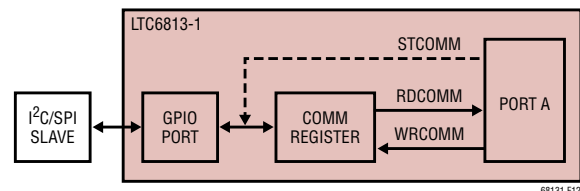
**Table 22. Read Codes for ICOMn[3:0] and FCOMn[3:0] on I<sup>2</sup>C Master**

CONTROL BITS	CODE	DESCRIPTION
ICOMn[3:0]	0110	Master Generated a START Signal
	0001	Master Generated a STOP Signal
	0000	Blank, SDA Was Held Low Between Bytes
	0111	Blank, SDA Was Held High Between Bytes
FCOMn[3:0]	0000	Master Generated an ACK Signal
	0111	Slave Generated an ACK Signal
	1111	Slave Generated a NACK Signal
	0001	Slave Generated an ACK Signal, Master Generated a STOP Signal
	1001	Slave Generated a NACK Signal, Master Generated a STOP Signal

In case of the SPI master, the read back codes for ICOMn[3:0] and FCOMn[3:0] are always 0111 and 1111, respectively. Dn[7:0] contains the data byte transmitted by the SPI slave.

Figure 12 illustrates the operation of LTC6813-1 as an I<sup>2</sup>C or SPI master using the GPIOs.

Any number of bytes can be transmitted to the slave in groups of 3 bytes using these commands. The GPIO



**Figure 12. LTC6813-1 I<sup>2</sup>C/SPI Master Using GPIOs**

ports will not get reset between different STCOMM commands. However, if the wait time between the commands is greater than 2s, the watchdog will time out and reset the ports to their default values.

To transmit several bytes of data using an I<sup>2</sup>C master, a START signal is only required at the beginning of the entire data stream. A STOP signal is only required at the end of the data stream. All intermediate data groups can use a BLANK code before the data byte and an ACK/NACK signal as appropriate after the data byte. SDA and SCL will not get reset between different STCOMM commands.

## OPERATION

To transmit several bytes of data using SPI master, a CSBM low signal is sent at the beginning of the 1st data byte. CSBM can be held low or taken high for intermediate data groups using the appropriate code on FCOMn[3:0]. A CSBM high signal is sent at the end of the last byte of data. CSBM, SDIOM and SCKM will not get reset between different STCOMM commands.

Figure 13 shows the 24 clock cycles following STCOMM command for an I<sup>2</sup>C master in different cases. Note that if ICOMn[3:0] specified a STOP condition, after the STOP signal is sent, the SDA and SCL lines are held high and

all data in the rest of the word is ignored. If ICOMn[3:0] is a NO TRANSMIT, both SDA and SCL lines are released, and the rest of the data in the word is ignored. This is used when a particular device in the stack does not have to communicate to a slave.

Figure 14 shows the 24 clock cycles following STCOMM command for a SPI master. Similar to the I<sup>2</sup>C master, if ICOMn[3:0] specified a CSBM HIGH or a NO TRANSMIT condition, the CSBM, SCKM and SDIOM lines of the SPI master are released and the rest of the data in the word is ignored.

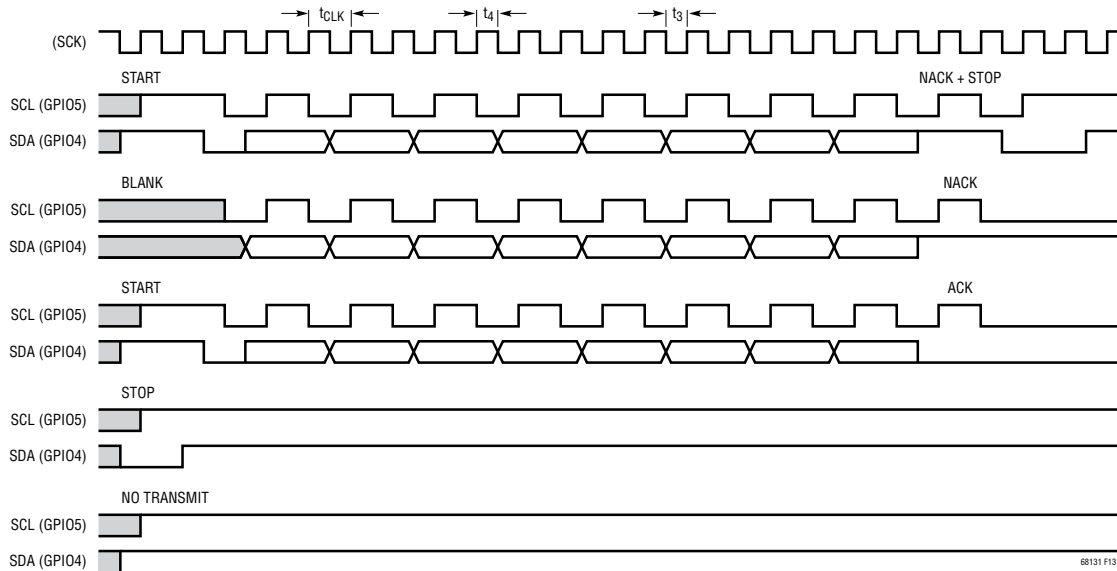


Figure 13. STCOMM Timing Diagram for an I<sup>2</sup>C Master

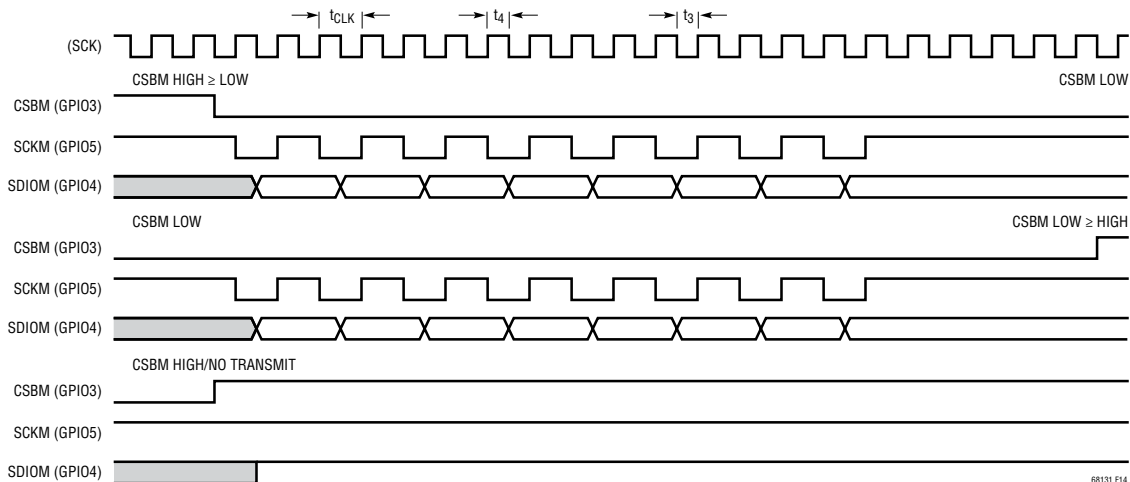


Figure 14. STCOMM Timing Diagram for a SPI Master



## OPERATION

### Timing Specifications of I<sup>2</sup>C and SPI Master

The timing of the LTC6813-1 I<sup>2</sup>C or SPI master will be controlled by the timing of the communication at the

LTC6813-1's primary SPI interface. Table 23 shows the I<sup>2</sup>C master timing relationship to the primary SPI clock. Table 24 shows the SPI master timing specifications.

**Table 23. I<sup>2</sup>C Master Timing**

I <sup>2</sup> C MASTER PARAMETER	TIMING RELATIONSHIP TO PRIMARY SPI INTERFACE	TIMING SPECIFICATIONS AT $t_{CLK} = 1\mu s$
SCL Clock Frequency	$1/(2 \cdot t_{CLK})$	Max 500kHz
$t_{HD;STA}$	$t_3$	Min 200ns
$t_{LOW}$	$t_{CLK}$	Min 1 $\mu s$
$t_{HIGH}$	$t_{CLK}$	Min 1 $\mu s$
$t_{SU;STA}$	$t_{CLK} + t_4^*$	Min 1.03 $\mu s$
$t_{HD;DAT}$	$t_4^*$	Min 30ns
$t_{SU;DAT}$	$t_3$	Min 200ns
$t_{SU;STO}$	$t_{CLK} + t_4^*$	Min 1.03 $\mu s$
$t_{BUF}$	$3 \cdot t_{CLK}$	Min 3 $\mu s$

\*Note: When using isoSPI,  $t_4$  is generated internally and is a minimum of 30ns. Also,  $t_3 = t_{CLK} - t_4$ . When using SPI,  $t_3$  and  $t_4$  are the low and high times of the SCK input, each with a specified minimum of 200ns.

**Table 24. SPI Master Timing**

SPI MASTER PARAMETER	TIMING RELATIONSHIP TO PRIMARY SPI INTERFACE	TIMING SPECIFICATIONS AT $t_{CLK} = 1\mu s$
SDIOM Valid to SCKM Rising Setup	$t_3$	Min 200ns
SDIO Valid from SCKM Rising Hold	$t_{CLK} + t_4^*$	Min 1.03 $\mu s$
SCKM Low	$t_{CLK}$	Min 1 $\mu s$
SCKM High	$t_{CLK}$	Min 1 $\mu s$
SCKM Period (SCKM_Low + SCKM_High)	$2 \cdot t_{CLK}$	Min 2 $\mu s$
CSBM Pulse Width	$3 \cdot t_{CLK}$	Min 3 $\mu s$
SCKM Rising to CSBM Rising	$5 \cdot t_{CLK} + t_4^*$	Min 5.03 $\mu s$
CSBM Falling to SCKM Falling	$t_3$	Min 200ns
CSBM Falling to SCKM Rising	$t_{CLK} + t_3$	Min 1.2 $\mu s$
SCKM Falling to SDIOM Valid	Master Requires $< t_{CLK}$	

\*Note: When using isoSPI,  $t_4$  is generated internally and is a minimum of 30ns. Also,  $t_3 = t_{CLK} - t_4$ . When using SPI,  $t_3$  and  $t_4$  are the low and high times of the SCK input, each with a specified minimum of 200ns.

## OPERATION

### S PIN PULSING USING THE S PIN CONTROL SETTINGS

The S pins of the LTC6813-1 can be used as a simple serial interface. This is particularly useful for controlling Analog Devices LT8584, a monolithic flyback DC/DC converter, designed to actively balance large battery stacks. The LT8584 has several operating modes which are controlled through a serial interface. The LTC6813-1 can communicate to an LT8584 by sending a sequence of pulses on each S pin to select a specific LT8584 mode. The S pin control settings (located in S Control Register Group and PWM/S Control Register Group B) are used to specify the behavior for each of the 18 S pins, where each nibble specifies whether the S pin should drive high, drive low, or send a pulse sequence of between 1 and 7 pulses. Table 25 shows the possible S pin behaviors that can be sent to the LT8584.

The S pin pulses occur at a pulse rate of 6.44kHz (155 $\mu$ s period). The pulse width will be 77.6 $\mu$ s. The S pin pulsing begins when the STSCTRL command is sent, after the last command PEC clock, provided that the command

PEC matches. The host may then continue to clock SCK in order to poll the status of the pulsing. This polling works similarly to the ADC polling feature. The data out will remain logic low until the S pin pulsing sequence has completed.

While the S pin pulsing is in progress, new STSCTRL, WRCTRL or WRPSB commands are ignored. The PLADC command may be used to determine when the S pin pulsing has completed.

If the WRCTRL (or WRPSB) command and command PEC are received correctly but the data PEC does not match, then the S pin control settings will be cleared.

If a DCC bit in Configuration Register Group A or Configuration Register Group B is asserted, the LTC6813-1 will drive the selected S pin low, regardless of the S pin control settings. The host should leave the DCC bits set to 0 when using the S pin control settings.

The CLRCTRL command can be used to quickly reset the S pin control settings to all 0s and force the pulsing machine to release control of the S pins. This command

**Table 25. S Pin Pulsing Behavior**

NIBBLE VALUE	S PIN BEHAVIOR
0000	
0001	
0010	
0011	
0100	
0101	
0110	
0111	
1XXX	

## OPERATION

may be helpful in reducing the diagnostic control loop time in an automotive application.

### S PIN MUTING

The S pins may be disabled by sending the MUTE command and re-enabled by sending the UNMUTE command. The MUTE and UNMUTE commands do not require any subsequent data and thus the commands will propagate quickly through a stack of LTC6813-1 devices. This allows the host to quickly ( $<100\mu\text{s}$ ) disable and re-enable discharging without disturbing register contents. This can be useful, for instance, to allow for a specific settling time before taking cell measurements. The mute status is reported in the read-only MUTE bit in Configuration Register Group B.

### SERIAL INTERFACE OVERVIEW

There are two types of serial ports on the LTC6813-1: a standard 4-wire serial peripheral interface (SPI) and a 2-wire isolated interface (isoSPI). The state of the ISOMD pin determines whether pins 53, 54, 61 and 62 are a 2-wire or 4-wire serial port.

The LTC6813-1 is used in a daisy-chain configuration. A second isoSPI interface uses pins 57, 58, 63 and 64.

### 4-WIRE SERIAL PERIPHERAL INTERFACE (SPI) PHYSICAL LAYER

#### External Connections

Connecting ISOMD to  $V^-$  configures serial Port A for 4-wire SPI. The SDO pin is an open drain output which requires a pull-up resistor tied to the appropriate supply voltage (Figure 15).

#### Timing

The 4-wire serial port is configured to operate in a SPI system using  $\text{CPHA} = 1$  and  $\text{CPOL} = 1$ . Consequently, data on SDI must be stable during the rising edge of SCK. The timing is depicted in Figure 16. The maximum data rate is 1Mbps; however the device is tested at a higher data rate in production in order to guarantee operation at the maximum specified data rate.

### 2-WIRE ISOLATED INTERFACE (isoSPI) PHYSICAL LAYER

The 2-wire interface provides a means to interconnect LTC6813-1 devices using simple twisted pair cabling. The interface is designed for low packet error rates when the cabling is subjected to high RF fields. Isolation is achieved through an external transformer.

Standard SPI signals are encoded into differential pulses. The strength of the transmission pulse and the threshold level of the receiver are set by two external resistors. The values of the resistors allow the user to trade-off power dissipation for noise immunity.

Figure 17 illustrates how the isoSPI circuit operates. A 2V reference drives the IBIAS pin. External resistors  $R_{B1}$  and  $R_{B2}$  create the reference current  $I_B$ . This current sets the drive strength of the transmitter.  $R_{B1}$  and  $R_{B2}$  also form a voltage divider to supply a fraction of the 2V reference for the ICMP pin. The receiver circuit threshold is half of the voltage at the ICMP pin.

#### External Connections

The LTC6813-1 has 2 serial ports which are called Port B and Port A. Port B is always configured as a 2-wire interface. Port A is either a 2-wire or 4-wire interface, depending on the connection of the ISOMD pin.

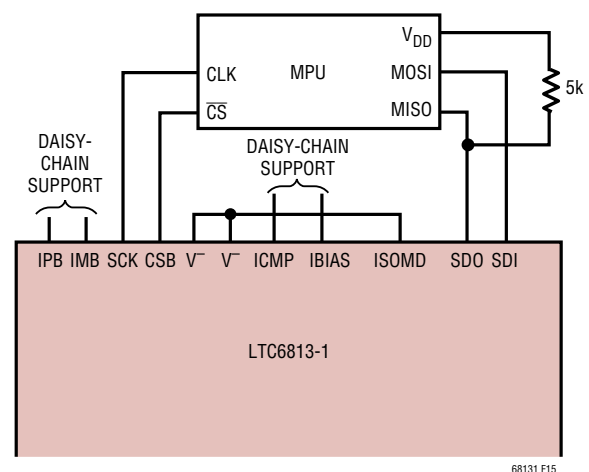
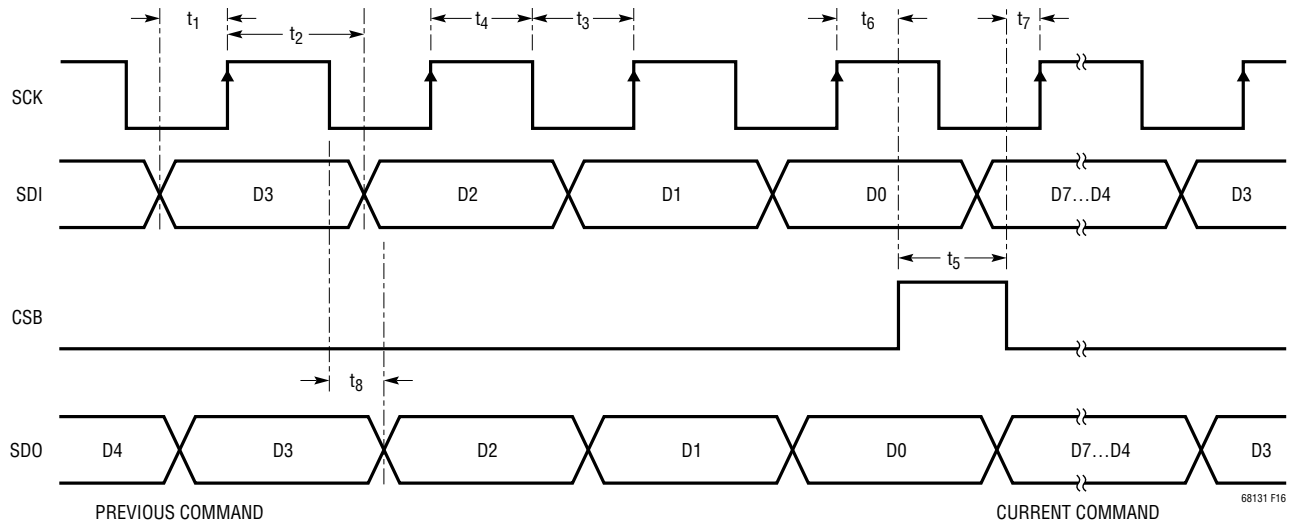
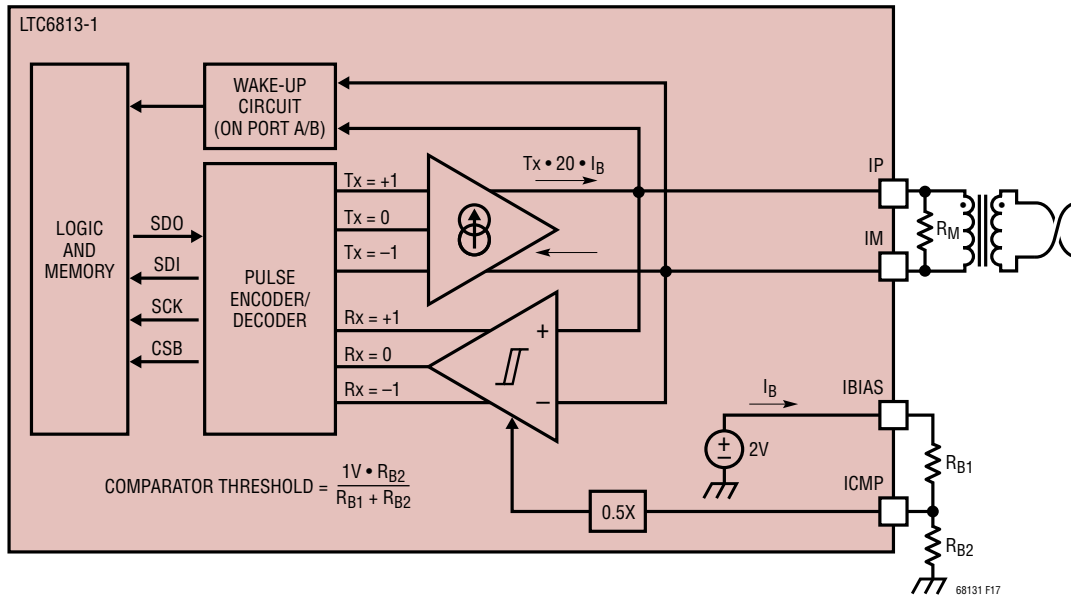


Figure 15. 4-Wire SPI Configuration

**OPERATION**



**Figure 16. Timing Diagram of 4-Wire Serial Peripheral Interface**



**Figure 17. isoSPI Interface**

## OPERATION

When Port A is configured as a 4-wire interface, Port A is always the SLAVE port and Port B is the MASTER port. Communication is always initiated on Port A of the first device in the daisy-chain configuration. The final device in the daisy chain does not use Port B, and it should be terminated into  $R_M$ . Figure 18 shows the simplest port connections possible when the microprocessor and the LTC6813-1s are located on the same PCB. In this figure capacitors are used to couple signals between the LTC6813-1s.

When Port A is configured as a 2-wire interface, communication can be initiated on either Port A or Port B. If communication is initiated on Port A, LTC6813-1 configures Port A as slave and Port B as master. Likewise, if communication is initiated on Port B, LTC6813-1 configures Port B as slave and Port A as master. See the section Reversible isoSPI for a detailed description of reversible isoSPI.

Figure 19 is an example of a robust interconnection of multiple identical PCBs, each containing one LTC6813-1 configured for operation in a daisy chain. The microprocessor is located on a separate PCB. To achieve 2-wire isolation between the microprocessor PCB and the 1st LTC6813-1 PCB, use the LTC6820 support IC. The LTC6820 is functionally equivalent to the diagram in Figure 17. In this example, communication is initiated on Port A. So the LTC6813-1 configures Port A as slave and Port B as master.

### Using a Single LTC6813-1

When only one LTC6813-1 is needed, it can be used as a single (non daisy-chained) device if the second isoSPI port (Port B) is properly biased and terminated, as shown in Figure 20 and Figure 21. ICMP should *not* be tied to GND, but can be tied directly to IBIAS. A bias resistance (2k to 20k) is required for IBIAS. Do *not* tie IBIAS directly to  $V_{REG}$  or  $V^-$ . Finally, IPB and IMB should be terminated into a 100 $\Omega$  resistor (*not* tied to  $V_{REG}$  or  $V^-$ ).

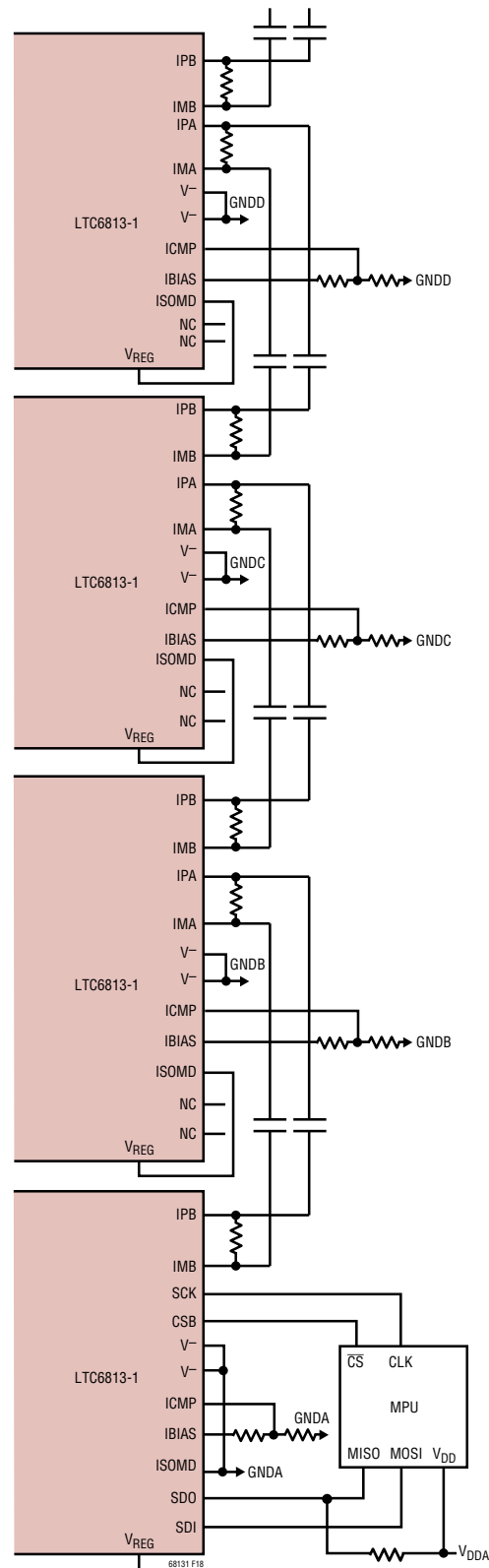


Figure 18. Capacitive-Coupled Daisy-Chain Configuration

Rev. B

**OPERATION**

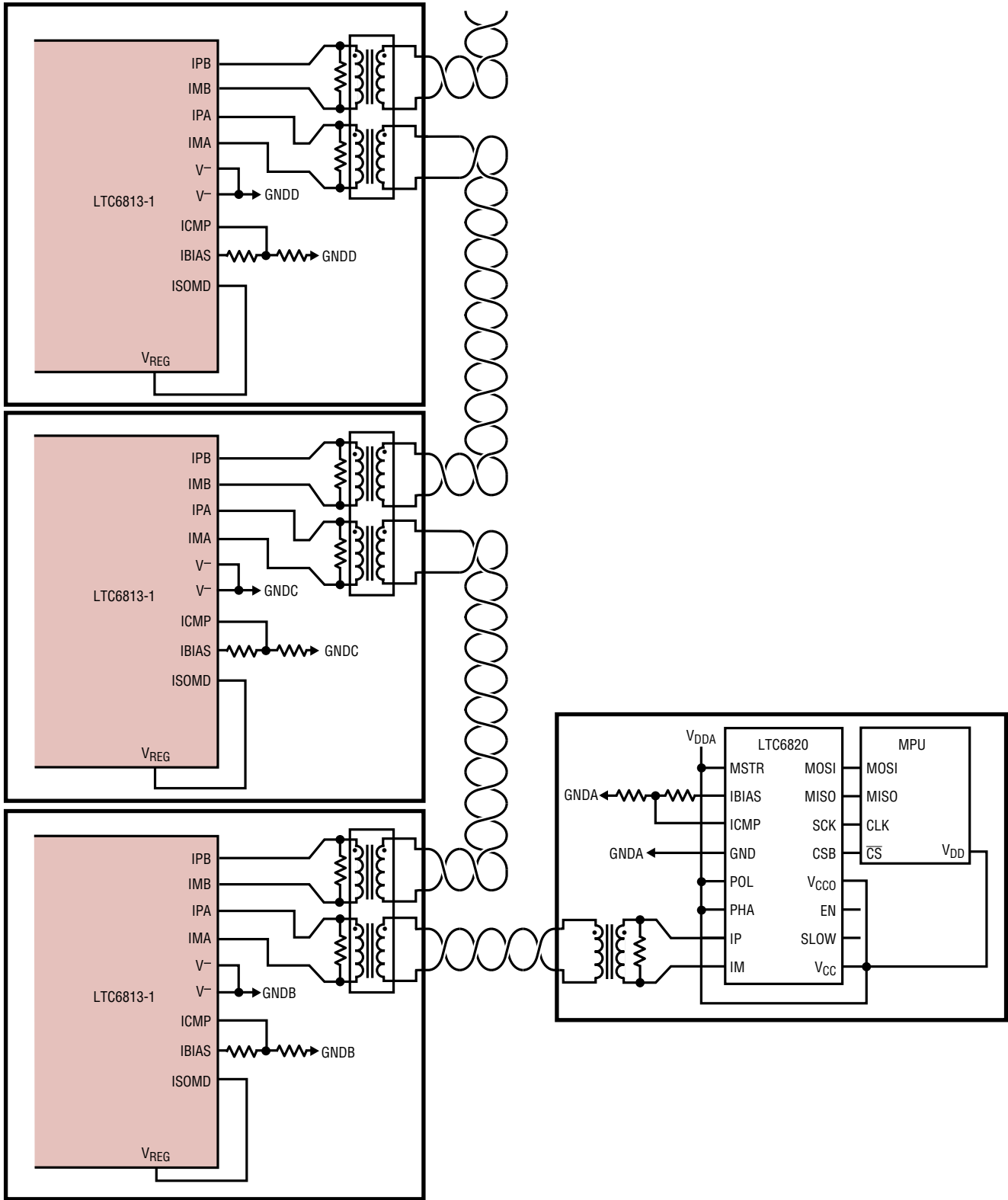
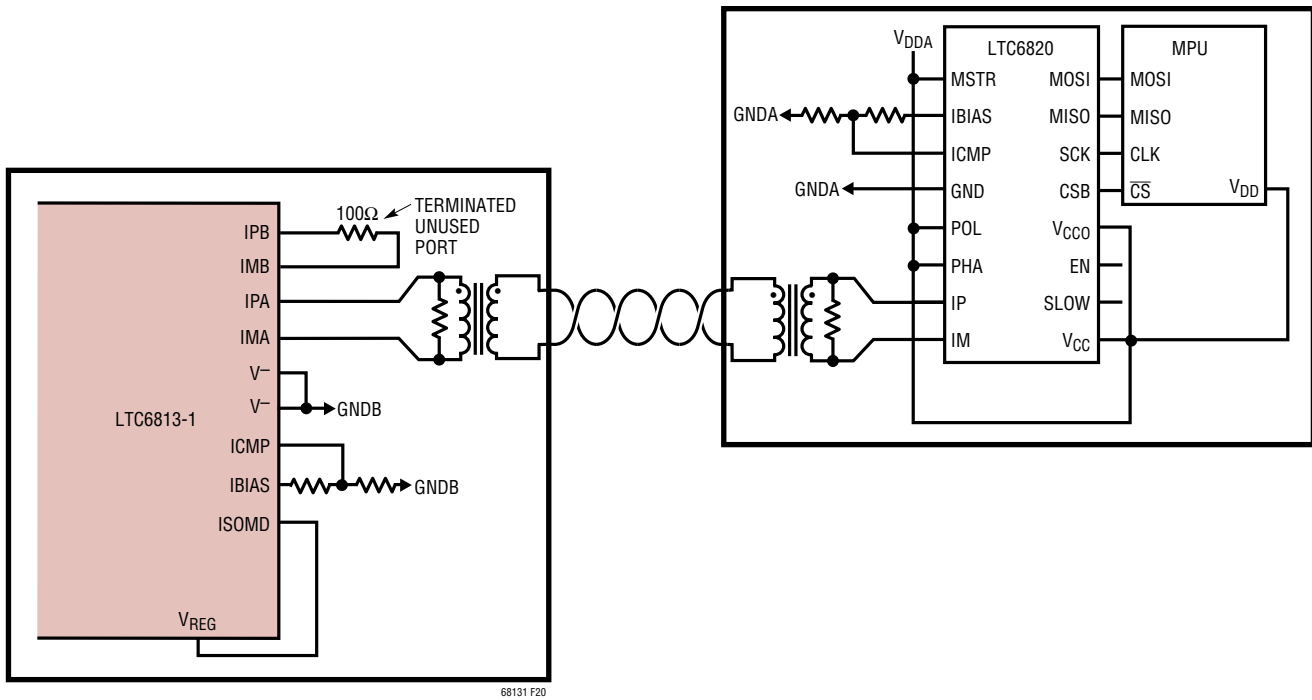
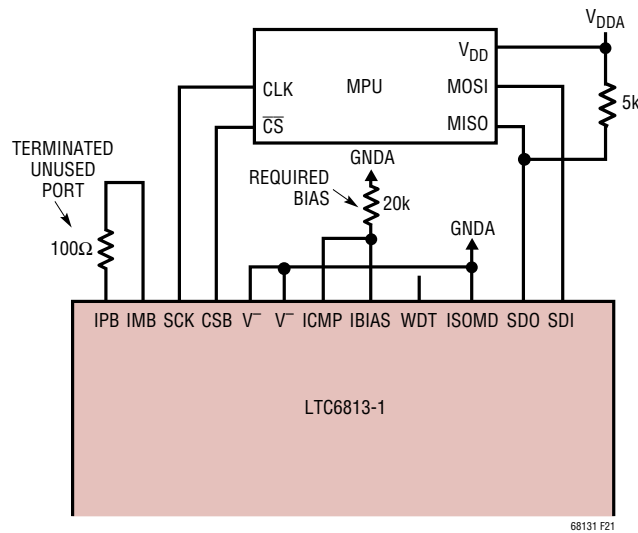


Figure 19. Transformer-Isolated Daisy-Chain Configuration

**OPERATION**



**Figure 20. Single Device Using 2-Wire Port A**



**Figure 21. Single Device Using 4-Wire Port A**

## OPERATION

### Selecting Bias Resistors

The adjustable signal amplitude allows the system to trade power consumption for communication robustness, and the adjustable comparator threshold allows the system to account for signal losses.

The isoSPI transmitter drive current and comparator voltage threshold are set by a resistor divider ( $R_{BIAS} = R_{B1} + R_{B2}$ ) between IBIAS and  $V^-$ . The divided voltage is connected to the ICMP pin, which sets the comparator threshold to half of this voltage ( $V_{ICMP}$ ). When either isoSPI interface is enabled (not IDLE) IBIAS is held at 2V, causing a current  $I_B$  to flow out of the IBIAS pin. The IP and IM pin drive currents are  $20 \cdot I_B$ .

As an example, if divider resistor  $R_{B1}$  is 2.8k and resistor  $R_{B2}$  is 1.21k (so that  $R_{BIAS} = 4k$ ), then:

$$I_B = \frac{2V}{R_{B1} + R_{B2}} = 0.5mA$$

$$I_{DRV} = I_{IP} = I_{IM} = 20 \cdot I_B = 10mA$$

$$V_{ICMP} = 2V \cdot \frac{R_{B2}}{R_{B1} + R_{B2}} = I_B \cdot R_{B2} = 603mV$$

$$V_{TCMP} = 0.5 \cdot V_{ICMP} = 302mV$$

In this example, the pulse drive current  $I_{DRV}$  will be 10mA, and the receiver comparators will detect pulses with IP-IM amplitudes greater than  $\pm 302mV$ .

If the isolation barrier uses 1:1 transformers connected by a twisted pair and terminated with 120 $\Omega$  resistors on each end, then the transmitted differential signal amplitude ( $\pm$ ) will be:

$$V_A = I_{DRV} \cdot \frac{R_M}{2} = 0.6V$$

(This result ignores transformer and cable losses, which may reduce the amplitude).

### isoSPI Pulse Detail

Two LTC6813-1 devices can communicate by transmitting and receiving differential pulses back and forth through an isolation barrier. The transmitter can output three voltage levels:  $+V_A$ , 0V and  $-V_A$ . A positive output results from

IP sourcing current and IM sinking current across load resistor  $R_M$ . A negative voltage is developed by IP sinking and IM sourcing. When both outputs are off, the load resistance forces the differential output to 0V.

To eliminate the DC signal component and enhance reliability, the isoSPI uses two different pulse lengths. This allows four types of pulses to be transmitted, as shown in Table 26. A +1 pulse will be transmitted as a positive pulse followed by a negative pulse. A -1 pulse will be transmitted as a negative pulse followed by a positive pulse. The duration of each pulse is defined as  $t_{1/2PW}$ , since each is half of the required symmetric pair. (The total isoSPI pulse duration is  $2 \cdot t_{1/2PW}$ ).

**Table 26. isoSPI Pulse Types**

PULSE TYPE	FIRST LEVEL ( $t_{1/2PW}$ )	SECOND LEVEL ( $t_{1/2PW}$ )	ENDING LEVEL
Long +1	$+V_A$ (150ns)	$-V_A$ (150ns)	0V
Long -1	$-V_A$ (150ns)	$+V_A$ (150ns)	0V
Short +1	$+V_A$ (50ns)	$-V_A$ (50ns)	0V
Short -1	$-V_A$ (50ns)	$+V_A$ (50ns)	0V

The receiver is designed to detect each of these isoSPI pulse types. For successful detection, the incoming isoSPI pulses (CSB or data) should meet the following requirements:

- $t_{1/2PW}$  of incoming pulse  $> t_{FILT}$  of the receiver and
- $t_{INV}$  of incoming pulse  $< t_{WNDW}$  of the receiver

The worst-case margin (margin 1) for the first condition is the difference between minimum  $t_{1/2PW}$  of the incoming pulse and maximum  $t_{FILT}$  of the receiver. Likewise, the worst-case margin (margin 2) for the second condition is the difference between minimum  $t_{WNDW}$  of the receiver and maximum  $t_{INV}$  of the incoming pulse. These timing relations are illustrated in Figure 22.

A host microcontroller does not have to generate isoSPI pulses to use this 2-wire interface. The first LTC6813-1 in the system can communicate to the microcontroller using the 4-wire SPI interface on its Port A, then daisy chain to other LTC6813-1s using the 2-wire isoSPI interface on its Port B. Alternatively, the LTC6820 can be used to translate the SPI signals into isoSPI pulses.



## OPERATION

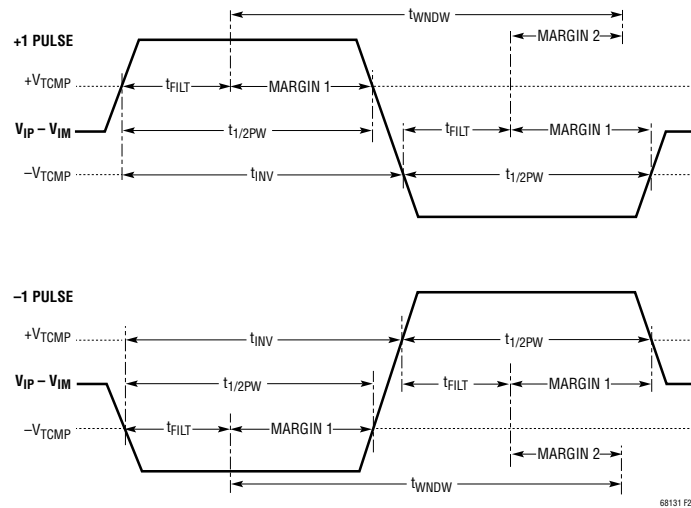


Figure 22. isoSPI Pulse Detail

### Operation with Port A Configured for SPI

When the LTC6813-1 is operating with Port A as a SPI (ISOMD =  $V^-$ ), the SPI detects one of four communication events: CSB falling, CSB rising, SCK rising with SDI = 0 and SCK rising with SDI = 1. Each event is converted into one of the four pulse types for transmission through the daisy chain. Long pulses are used to transmit CSB changes and short pulses are used to transmit data, as explained in Table 27.

Table 27. Port B (Master) isoSPI Port Function

COMMUNICATION EVENT (PORT A SPI)	TRANSMITTED PULSE (PORT B isoSPI)
CSB Rising	Long +1
CSB Falling	Long -1
SCK Rising Edge, SDI = 1	Short +1
SCK Rising Edge, SDI = 0	Short -1

### Operation with Port A Configured for isoSPI

On the other side of the isolation barrier (i.e., at the other end of the cable), the 2nd LTC6813-1 will have ISOMD =  $V_{REG}$  so that its Port A is configured for isoSPI. The slave isoSPI port (Port A or B) receives each transmitted pulse and reconstructs the SPI signals internally, as shown in Table 28. In addition, during a READ command this port may transmit return data pulses.

Table 28. Port A (Slave) isoSPI Port Function

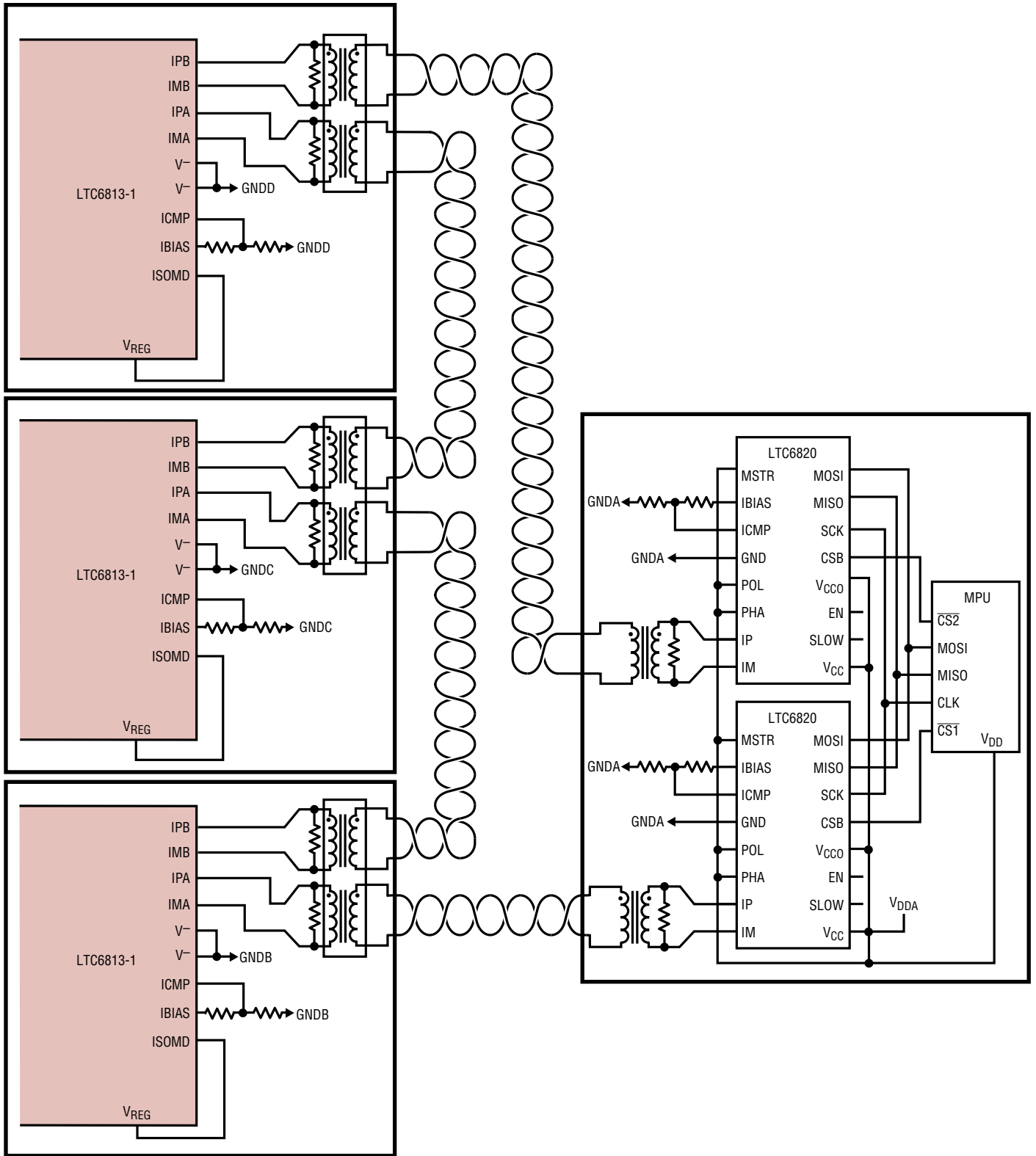
RECEIVED PULSE (PORT A isoSPI)	INTERNAL SPI PORT ACTION	RETURN PULSE
Long +1	Drive CSB High	None
Long -1	Drive CSB Low	
Short +1	1. Set SDI = 1 2. Pulse SCK	Short -1 Pulse if Reading a 0 Bit
Short -1	1. Set SDI = 0 2. Pulse SCK	(No Return Pulse if not in READ Mode or if Reading a 1 Bit)

The slave isoSPI port never transmits long (CSB) pulses. Furthermore, a slave isoSPI port will only transmit short -1 pulses, never a +1 pulse. The master port recognizes a null response as a logic 1.

### Reversible isoSPI

When the LTC6813-1 is operating with Port A configured for isoSPI, communication can be initiated from either Port A or Port B. In other words, LTC6813-1 can configure either Port A or Port B as slave or master, depending on the direction of communication. The reversible isoSPI feature permits communication from both directions in a stack of daisy-chained devices. See Figure 23 for an example schematic. Figure 24 illustrates the operation of reversible isoSPI.

**OPERATION**



68131 F23

Figure 23. Reversible isoSPI Daisy Chain

## OPERATION

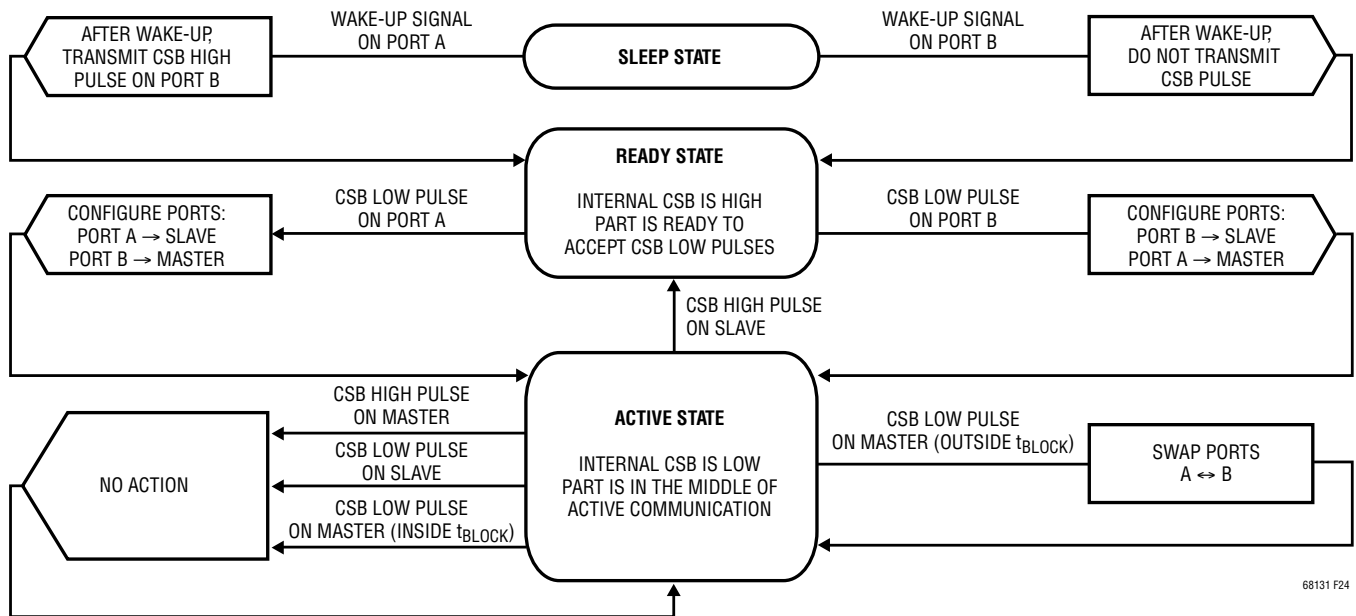


Figure 24. Reversible isoSPI State Diagram

When LTC6813-1 is in SLEEP state, it will respond to a valid WAKE-UP signal on either Port A or Port B. This is true for either configuration of the ISOMD pin.

If the WAKE-UP signal was sent on Port A, LTC6813-1 transmits a long +1 isoSPI pulse (CSB rising) on Port B after the isoSPI is powered up. If the WAKE-UP signal was sent on Port B, LTC6813-1 powers up the isoSPI but does not transmit a long +1 isoSPI pulse on Port A.

When LTC6813-1 is in READY state, communication can be initiated by sending a long -1 isoSPI pulse (CSB falling) on either Port A or Port B. The LTC6813-1 automatically configures the port that receives the long -1 isoSPI pulse as the slave and the other port is configured as the master. The isoSPI pulses are transmitted through the master port to the rest of the devices in the daisy chain.

In ACTIVE state, the LTC6813-1 is in the middle of communication and CSB of the internal SPI port is low. At the end of communication a long +1 pulse (CSB rising) on the SLAVE port returns the part to the READY state. Although it is not part of a normal communication routine, the LTC6813-1 allows ports A and B to be swapped inside the ACTIVE state. This feature is useful for the master controller to reclaim control of the slave port of LTC6813-1

irrespective of the current state of the ports. This can be done by sending a long -1 isoSPI pulse on the master port after a time delay of  $t_{BLOCK}$  from the last isoSPI signal that was transmitted by the part. Any long isoSPI pulse sent to the master port inside  $t_{BLOCK}$  is rejected by the part. This ensures the LTC6813-1 cannot switch ports because of signal reflections from poorly terminated cables (<100m cable length).

### Timing Diagrams

Figure 25 shows the isoSPI timing diagram for a READ command to daisy-chained LTC6813-1 parts. The ISOMD pin is tied to  $V^-$  on the bottom part so its Port A is configured as a SPI port (CSB, SCK, SDI and SDO). The isoSPI signals of three stacked devices are shown labeled with the port (A or B) and part number. Note that ISO B1 and ISO A2 is actually the same signal, but shown on each end of the transmission cable that connects Parts 1 and 2. Likewise, ISO B2 and ISO A3 is the same signal, but with the cable delay shown between Parts 2 and 3.

Bits  $W_N$ - $W_0$  refer to the 16-bit command code and the 16-bit PEC of a READ command. At the end of Bit  $W_0$ , the three parts decode the READ command and begin shifting out data, which is valid on the next rising edge

**OPERATION**

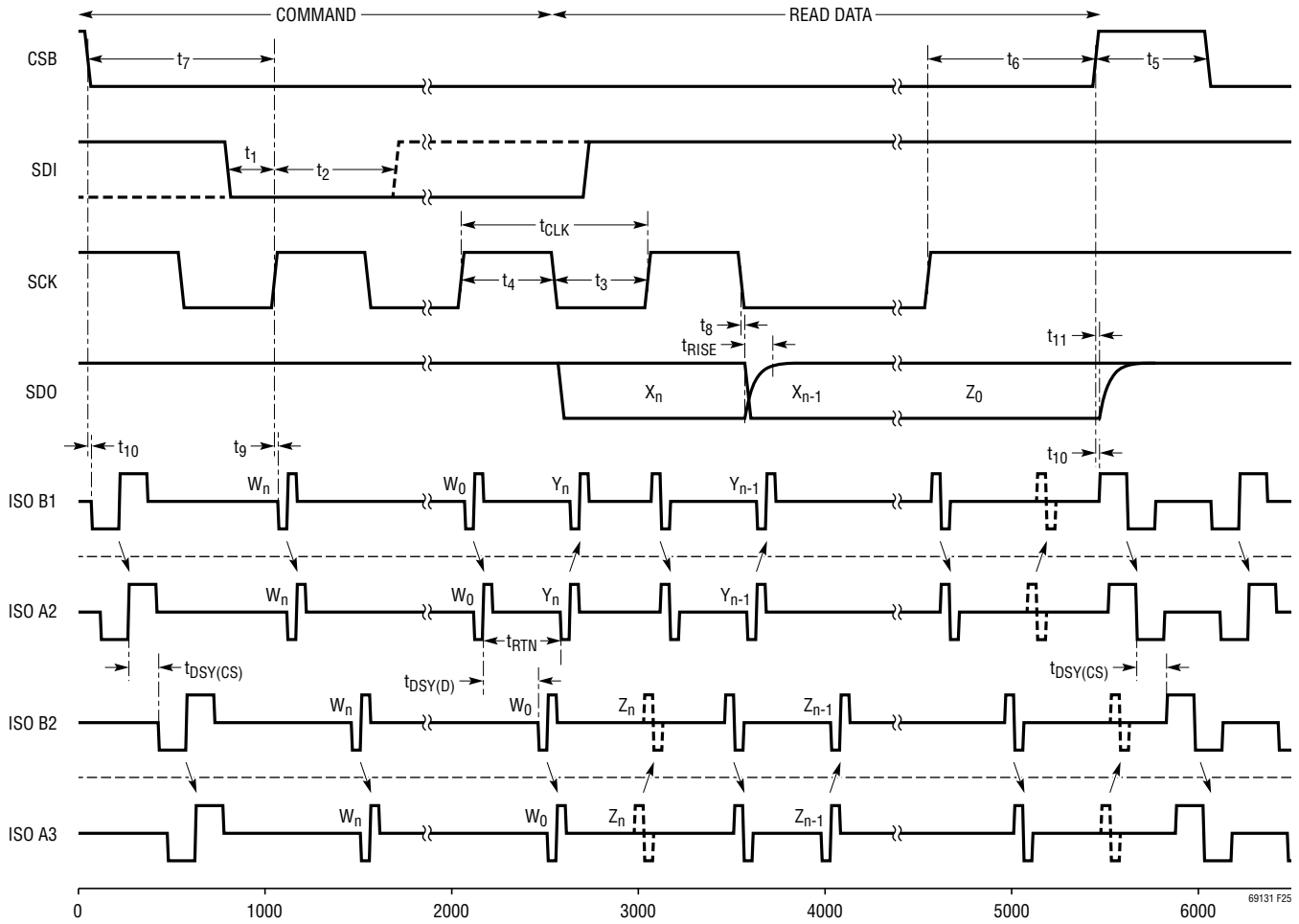


Figure 25. isoSPI Timing Diagram

## OPERATION

of clock SCK. Bits  $X_N-X_0$  refer to the data shifted out by Part 1. Bits  $Y_N-Y_0$  refer to the data shifted out by Part 2 and bits  $Z_N-Z_0$  refer to the data shifted out by Part 3. All this data is read back from the SDO port on Part 1 in a daisy-chained fashion.

### Waking Up the Serial Interface

The serial ports (SPI or isoSPI) will enter the low power IDLE state if there is no activity on Port A or Port B for a time of  $t_{IDLE}$ . The WAKE-UP circuit monitors activity on pins 61 through 64.

If  $ISOMD = V^-$ , Port A is in SPI mode. Activity on the CSB or SCK pin will wake up the SPI interface. If  $ISOMD = V_{REG}$ , Port A is in isoSPI mode. Differential activity on IPA-IMA (or IPB-IMB) wakes up the isoSPI interface. The LTC6813-1 will be ready to communicate when the isoSPI state changes to READY within  $t_{WAKE}$  or  $t_{READY}$ , depending on the Core state (see Figure 1 and state descriptions for details).

Figure 26 illustrates the timing and the functionally equivalent circuit (only Port A shown). Common mode signals will not wake up the serial interface. The interface is designed to wake up after receiving a large signal single-ended pulse, or a low-amplitude symmetric pulse. The differential signal  $|SCK(IPA) - CSB(IMA)|$ , must be at

least  $V_{WAKE} = 200mV$  for a minimum duration of  $t_{DWELL} = 240ns$  to qualify as a WAKE-UP signal that powers up the serial interface.

### Waking a Daisy Chain—Method 1

The LTC6813-1 sends a long +1 pulse on Port B after it is ready to communicate. In a daisy-chained configuration, this pulse wakes up the next device in the stack which will, in turn, wake up the next device. If there are 'N' devices in the stack, all the devices are powered up within the time  $N \cdot t_{WAKE}$  or  $N \cdot t_{READY}$ , depending on the Core state. For large stacks, the time  $N \cdot t_{WAKE}$  may be equal to or larger than  $t_{IDLE}$ . In this case, after waiting longer than the time of  $N \cdot t_{WAKE}$ , the host may send another dummy byte and wait for the time  $N \cdot t_{READY}$ , in order to ensure that all devices are in the READY state.

Method 1 can be used when all devices on the daisy chain are in the IDLE state. This guarantees that they propagate the WAKE-UP signal up the daisy chain. However, this method will fail to wake up all devices when a device in the middle of the chain is in the READY state instead of IDLE. When this happens, the device in READY state will not propagate the wake-up pulse, so the devices above it will remain IDLE. This situation can occur when attempting to wake up the daisy chain after only  $t_{IDLE}$  of idle time (some devices may be IDLE, some may not).

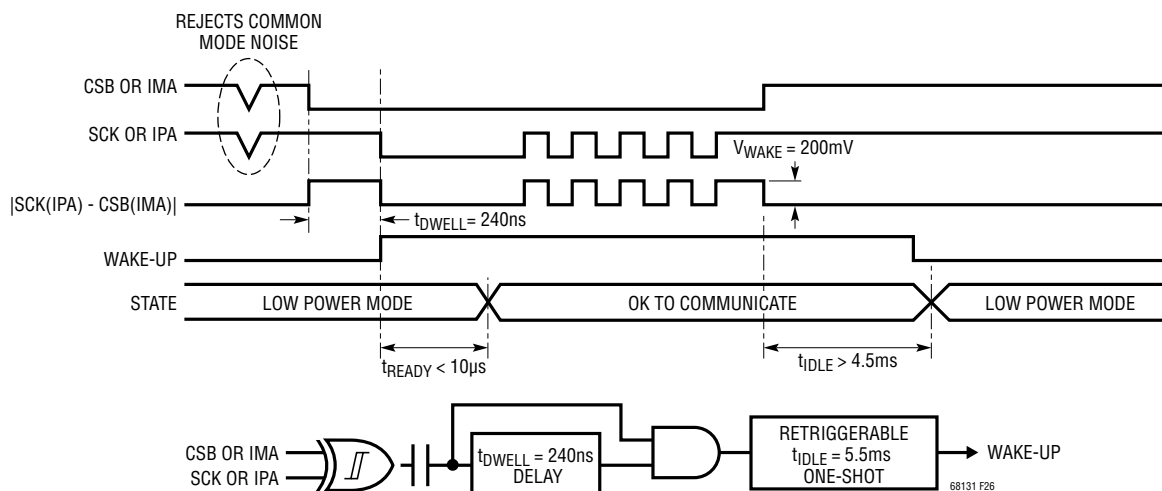


Figure 26. Wake-Up Detection and IDLE Timer

## OPERATION

### Waking a Daisy Chain—Method 2

A more robust wake-up method does not rely on the built-in wake-up pulse, but manually sends isoSPI traffic for enough time to wake the entire daisy chain. At minimum, a pair of long isoSPI pulses (–1 and +1) is needed for each device, separated by more than  $t_{\text{READY}}$  or  $t_{\text{WAKE}}$  (if the Core state is STANDBY or SLEEP, respectively), but less than  $t_{\text{IDLE}}$ . This allows each device to wake up and propagate the next pulse to the following device. This method works even if some devices in the chain are not in the IDLE state. In practice, implementing method 2 requires toggling the CSB pin (of the LTC6820, or bottom LTC6813-1 with ISOMD = 0) to generate the long isoSPI pulses. Alternatively, dummy commands (such as RDCFGA) can be executed to generate the long isoSPI pulses.

### DATA LINK LAYER

All data transfers on LTC6813-1 occur in byte groups. Every byte consists of 8 bits. Bytes are transferred with the most significant bit (MSB) first. CSB must remain low for the entire duration of a command sequence, including between a command byte and subsequent data. On a write command, data is latched in on the rising edge of CSB.

### NETWORK LAYER

#### Packet Error Code

The Packet Error Code (PEC) is a 15-bit cyclic redundancy check (CRC) value calculated for all of the bits in a register group in the order they are passed, using the initial PEC value of 000000000010000 and the following characteristic polynomial:  $x^{15} + x^{14} + x^{10} + x^8 + x^7 + x^4 + x^3 + 1$ . To calculate the 15-bit PEC value, a simple procedure can be established:

1. Initialize the PEC to 000000000010000 (PEC is a 15-bit register group).

2. For each bit DIN coming into the PEC register group, set:
  - IN0 = DIN XOR PEC[14]
  - IN3 = IN0 XOR PEC[2]
  - IN4 = IN0 XOR PEC[3]
  - IN7 = IN0 XOR PEC[6]
  - IN8 = IN0 XOR PEC[7]
  - IN10 = IN0 XOR PEC[9]
  - IN14 = IN0 XOR PEC[13]
3. Update the 15-bit PEC as follows:
  - PEC[14] = IN14
  - PEC[13] = PEC[12]
  - PEC[12] = PEC[11]
  - PEC[11] = PEC[10]
  - PEC[10] = IN10
  - PEC[9] = PEC[8]
  - PEC[8] = IN8
  - PEC[7] = IN7
  - PEC[6] = PEC[5]
  - PEC[5] = PEC[4]
  - PEC[4] = IN4
  - PEC[3] = IN3
  - PEC[2] = PEC[1]
  - PEC[1] = PEC[0]
  - PEC[0] = IN0
4. Go back to step 2 until all the data is shifted. The final PEC (16 bits) is the 15-bit value in the PEC register with a 0 bit appended to its LSB.

Figure 27 illustrates the algorithm described above. An example to calculate the PEC for a 16-bit word (0x0001) is listed in Table 29. The PEC for 0x0001 is computed as 0x3D6E after stuffing a 0 bit at the LSB. For longer data streams, the PEC is valid at the end of the last bit of data sent to the PEC register.

LTC6813-1 calculates PEC for any command or data received and compares it with the PEC following the command or data. The command or data is regarded as valid only if the PEC matches. LTC6813-1 also attaches the calculated PEC at the end of the data it shifts out. Table 30 shows the format of PEC while writing to or reading from LTC6813-1.

# OPERATION

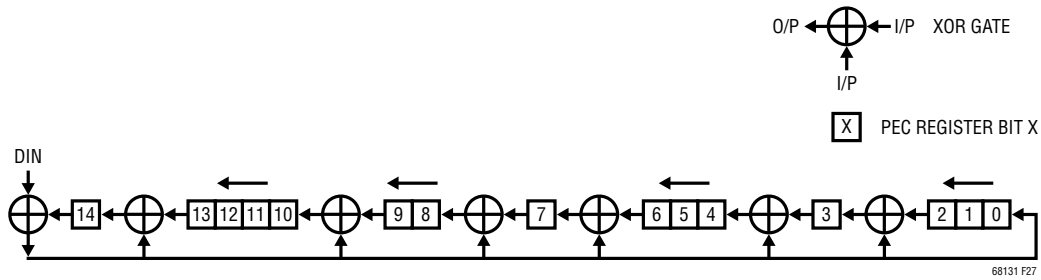


Figure 27. 15-Bit PEC Computation Circuit

Table 29. PEC Calculation for 0x0001

PEC[14]	0	0	0	0	0	0	0	0	0	0	1	1	1	1	1	0	0	<b>0</b>
PEC[13]	0	0	0	0	0	0	0	0	0	1	0	0	0	0	1	1	0	<b>0</b>
PEC[12]	0	0	0	0	0	0	0	0	1	0	0	0	0	1	1	0	1	<b>1</b>
PEC[11]	0	0	0	0	0	0	0	1	0	0	0	0	1	1	0	1	1	<b>1</b>
PEC[10]	0	0	0	0	0	0	1	0	0	0	0	1	1	0	1	1	1	<b>1</b>
PEC[9]	0	0	0	0	0	1	0	0	0	0	0	0	1	0	0	0	1	<b>1</b>
PEC[8]	0	0	0	0	1	0	0	0	0	0	0	1	0	0	0	1	0	<b>0</b>
PEC[7]	0	0	0	1	0	0	0	0	0	0	0	1	1	1	0	1	1	<b>1</b>
PEC[6]	0	0	1	0	0	0	0	0	0	0	0	0	0	1	0	0	0	<b>0</b>
PEC[5]	0	1	0	0	0	0	0	0	0	0	0	0	1	0	0	0	1	<b>1</b>
PEC[4]	1	0	0	0	0	0	0	0	0	0	0	1	0	0	0	1	1	<b>1</b>
PEC[3]	0	0	0	0	0	0	0	0	0	0	0	1	1	1	0	0	0	<b>0</b>
PEC[2]	0	0	0	0	0	0	0	0	0	0	0	0	0	1	1	1	1	<b>1</b>
PEC[1]	0	0	0	0	0	0	0	0	0	0	0	0	1	1	1	1	1	<b>1</b>
PEC[0]	0	0	0	0	0	0	0	0	0	0	0	1	1	1	1	1	1	<b>1</b>
IN14	0	0	0	0	0	0	0	0	0	1	1	1	1	1	0	0		<b>0</b>
IN10	0	0	0	0	0	1	0	0	0	0	1	1	0	1	1	1		<b>PEC Word</b>
IN8	0	0	0	1	0	0	0	0	0	0	1	0	0	0	1	0		
IN7	0	0	1	0	0	0	0	0	0	0	1	1	1	0	1	1		
IN4	0	0	0	0	0	0	0	0	0	0	1	0	0	0	1	1		
IN3	0	0	0	0	0	0	0	0	0	0	1	1	1	0	0	0		
IN0	0	0	0	0	0	0	0	0	0	0	1	1	1	1	1	1		
DIN	0	0	0	0	0	0	0	0	0	0	0	0	0	0	0	1		
Clock Cycle	0	1	2	3	4	5	6	7	8	9	10	11	12	13	14	15	16	

Table 30. Write/Read PEC Format

NAME	RD/WR	BIT 7	BIT 6	BIT 5	BIT 4	BIT 3	BIT 2	BIT 1	BIT 0
PEC0	RD/WR	PEC[14]	PEC[13]	PEC[12]	PEC[11]	PEC[10]	PEC[9]	PEC[8]	PEC[7]
PEC1	RD/WR	PEC[6]	PEC[5]	PEC[4]	PEC[3]	PEC[2]	PEC[1]	PEC[0]	0

## OPERATION

While writing any command to LTC6813-1, the command bytes CMD0 and CMD1 (see Table 37 and Table 38) and the PEC bytes PEC0 and PEC1 are sent on Port A in the following order:

CMD0, CMD1, PEC0, PEC1

After a write command to daisy-chained LTC6813-1 devices, data is sent to each device followed by the PEC. For example, when writing Configuration Register Group A to two daisy-chained devices (primary device P, stacked device S), the data will be sent to the primary device on Port A in the following order:

CFGAR0(S), ... , CFGAR5(S), PEC0(S), PEC1(S),  
CFGAR0(P), ... , CFGAR5(P), PEC0(P), PEC1(P)

After a read command for daisy-chained devices, each device shifts out its data and the PEC that it computed for its data on Port A followed by the data received on Port B. For example, when reading Status Register Group B from two daisy-chained devices (primary device P, stacked device S), the primary device sends out data on port A in the following order:

STBR0(P), ... , STBR5(P), PEC0(P), PEC1(P),  
STBR0(S), ... , STBR5(S), PEC0(S), PEC1(S)

See Bus Protocols for command format.

All devices in a daisy-chained configuration receive the command bytes simultaneously. For example, to initiate ADC conversions in a stack of devices, a single ADCV command is sent, and all devices will start conversions at the same time. For read and write commands, a single command is sent, and then the stacked devices effectively turn into a cascaded shift register, in which data is shifted through each device to the next higher (on a write) or the next lower (on a read) device in the stack. See the Serial Interface Overview section.

### Polling Methods

The simplest method to determine ADC completion is for the controller to start an ADC conversion and wait for the specified conversion time to pass before reading the results.

If using a single LTC6813-1 that communicates in SPI mode (ISOMD pin tied low), there are two methods of polling. The first method is to hold CSB low after an ADC

conversion command is sent. After entering a conversion command, the SDO line is driven low when the device is busy performing conversions. SDO is pulled high when the device completes conversions. However, SDO will also go back high when CSB goes high even if the device has not completed the conversion (Figure 28). A problem with this method is that the controller is not free to do other serial communication while waiting for ADC conversions to complete.

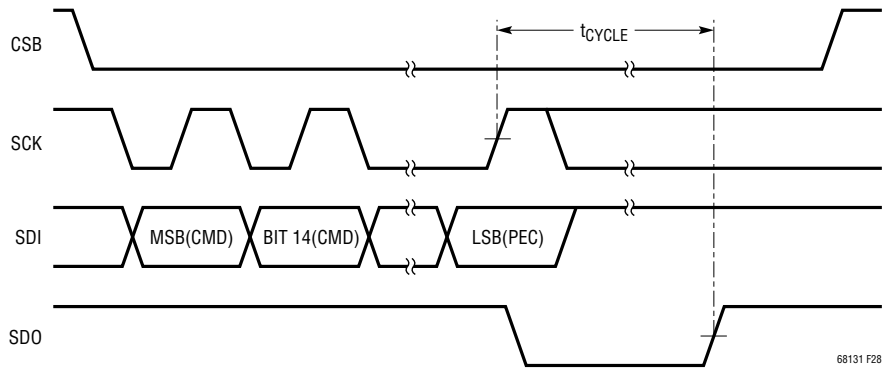
The next method overcomes this limitation. The controller can send an ADC start command, perform other tasks, and then send a poll ADC converter status (PLADC) command to determine the status of the ADC conversions (Figure 29). After entering the PLADC command, SDO will go low if the device is busy performing conversions. SDO is pulled high at the end of conversions. However, SDO will also go high when CSB goes high even if the device has not completed the conversion.

If using a single LTC6813-1 that communicates in isoSPI mode, the low side port transmits a data pulse only in response to a master isoSPI pulse received by it. So, after entering the command in either method of polling described above, isoSPI data pulses are sent to the part to update the conversion status. These pulses can be sent using LTC6820 by simply clocking its SCK pin. In response to this pulse, the LTC6813-1 sends back a low isoSPI pulse if it is still busy performing conversions or a high data pulse if it has completed the conversions. If a CSB high isoSPI pulse is sent to the device, it exits the polling command.

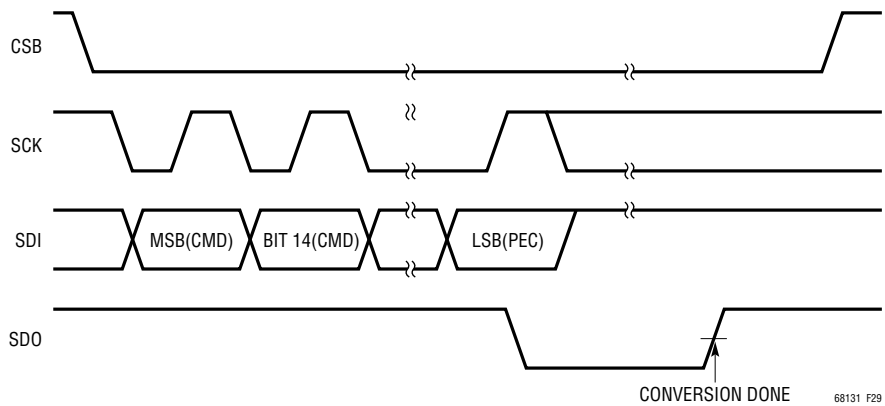
In a daisy-chained configuration of N stacked devices, the same two polling methods can be used. If the bottom device communicates in SPI mode, the SDO of the bottom device indicates the conversion status of the entire stack. i.e., SDO will remain low until all the devices in the stack have completed the conversions. In the first method of polling, after an ADC conversion command is sent, clock pulses are sent on SCK while keeping CSB low. The SDO status becomes valid only at the end of N clock pulses on SCK. During the first N clock pulses, the bottom LTC6813-1 in the daisy chain will output a 0 or a low data pulse. After N clock pulses, the output data from the bottom LTC6813-1 gets updated for every clock pulse



**OPERATION**



**Figure 28. SDO Polling After an ADC Conversion Command (Single LTC6813-1)**



**Figure 29. SDO Polling Using PLADC Command (Single LTC6813-1)**

## OPERATION

that follows (Figure 30). In the second method, the PLADC command is sent followed by clock pulses on SCK while keeping CSB low. Similar to the first method, the SDO status is valid only after N clock cycles on SCK and gets updated after every clock cycle that follows (Figure 31).

If the bottom device communicates in isoSPI mode, isoSPI data pulses are sent to the device to update the

conversion status. Using LTC6820, this can be achieved by just clocking its SCK pin. The conversion status is valid only after the bottom LTC6813-1 device receives N isoSPI data pulses and the status gets updated for every isoSPI data pulse that follows. The device returns a low data pulse if any of the devices in the stack is busy performing conversions and returns a high data pulse if all the devices are free.

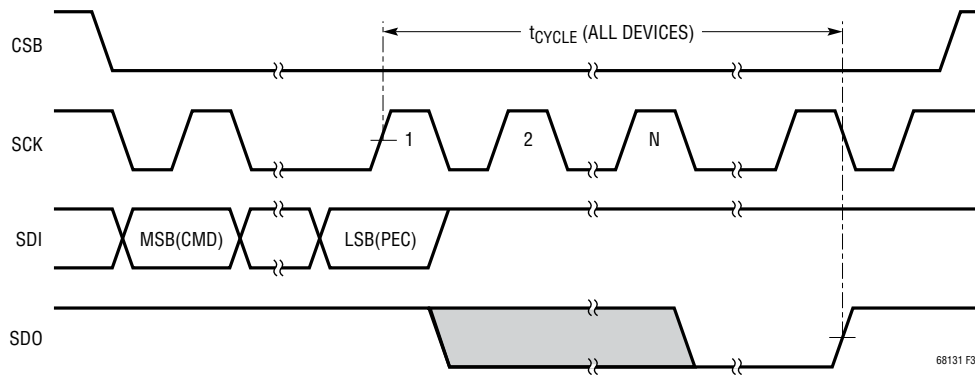


Figure 30. SDO Polling After an ADC Conversion Command (Daisy-Chain Configuration)

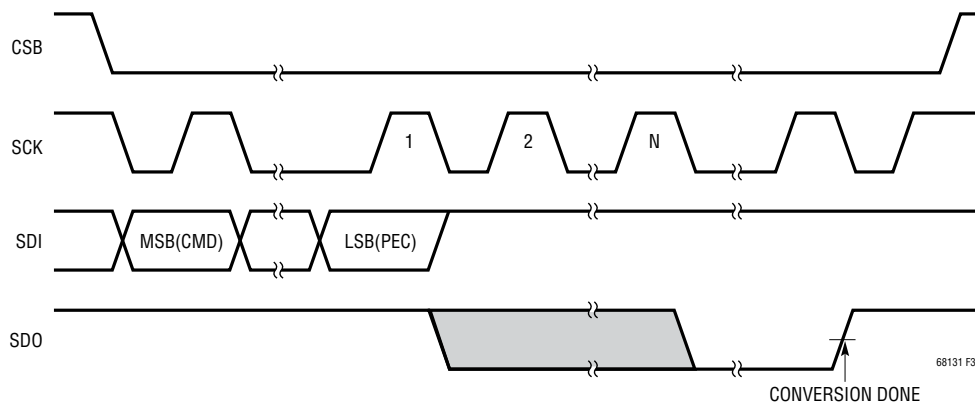


Figure 31. SDO Polling Using PLADC Command (Daisy-Chain Configuration)

## OPERATION

### Bus Protocols

*Protocol Format:* The protocol formats for commands are depicted in Tables 32 through 34. Table 31 is the key for reading the protocol diagrams.

**Table 31. Protocol Key**

CMD0	Command Byte 0 (See Table 35)
CMD1	Command Byte 1 (See Table 35)
PECO	Packet Error Code Byte 0 (See Table 30)
PEC1	Packet Error Code Byte 1 (See Table 30)
<i>n</i>	Number of Bytes
...	Continuation of Protocol
	Master to Slave
	Slave to Master

**Table 32. Poll Command**

8	8	8	8	Poll Data
CMD0	CMD1	PECO	PEC1	

**Table 33. Write Command**

8	8	8	8	8	...	8	8	8	8	...	8
CMD0	CMD1	PECO	PEC1	Data Byte Low	...	Data Byte High	PECO	PEC1	Shift Byte 1	...	Shift Byte <i>n</i>

**Table 34. Read Command**

8	8	8	8	8	...	8	8	8	8	...	8
CMD0	CMD1	PECO	PEC1	Data Byte Low	...	Data Byte High	PECO	PEC1	Shift Byte 1	...	Shift Byte <i>n</i>

*Command Format:* The format for the commands is shown in Table 35. CC[10:0] is the 11-bit command code. A list of all the command codes is shown in Table 36. All commands have a value 0 for CMD0[7] through CMD0[3]. The PEC must be computed on the entire 16-bit command (CMD0 and CMD1).

**Table 35. Command Format**

NAME	RD/WR	BIT 7	BIT 6	BIT 5	BIT 4	BIT 3	BIT 2	BIT 1	BIT 0
CMD0	WR	0	0	0	0	0	CC[10]	CC[9]	CC[8]
CMD1	WR	CC[7]	CC[6]	CC[5]	CC[4]	CC[3]	CC[2]	CC[1]	CC[0]

## OPERATION

### Commands

Table 36 lists all the commands and their options.

**Table 36. Command Codes**

COMMAND DESCRIPTION	NAME	CC[10:0] – COMMAND CODE										
		10	9	8	7	6	5	4	3	2	1	0
Write Configuration Register Group A	WRCFGA	0	0	0	0	0	0	0	0	0	0	1
Write Configuration Register Group B	WRCFGB	0	0	0	0	0	1	0	0	1	0	0
Read Configuration Register Group A	RDCFGA	0	0	0	0	0	0	0	0	0	1	0
Read Configuration Register Group B	RDCFGB	0	0	0	0	0	1	0	0	1	1	0
Read Cell Voltage Register Group A	RDCVA	0	0	0	0	0	0	0	0	1	0	0
Read Cell Voltage Register Group B	RDCVB	0	0	0	0	0	0	0	0	1	1	0
Read Cell Voltage Register Group C	RDCVC	0	0	0	0	0	0	0	1	0	0	0
Read Cell Voltage Register Group D	RDCVD	0	0	0	0	0	0	0	1	0	1	0
Read Cell Voltage Register Group E	RDCVE	0	0	0	0	0	0	0	1	0	0	1
Read Cell Voltage Register Group F	RDCVF	0	0	0	0	0	0	0	1	0	1	1
Read Auxiliary Register Group A	RDAUXA	0	0	0	0	0	0	0	1	1	0	0
Read Auxiliary Register Group B	RDAUXB	0	0	0	0	0	0	0	1	1	1	0
Read Auxiliary Register Group C	RDAUXC	0	0	0	0	0	0	0	1	1	0	1
Read Auxiliary Register Group D	RDAUXD	0	0	0	0	0	0	0	1	1	1	1
Read Status Register Group A	RDSTATA	0	0	0	0	0	0	1	0	0	0	0
Read Status Register Group B	RDSTATB	0	0	0	0	0	0	1	0	0	1	0
Write S Control Register Group	WRCTRL	0	0	0	0	0	0	1	0	1	0	0
Write PWM Register Group	WRPWM	0	0	0	0	0	1	0	0	0	0	0
Write PWM/S Control Register Group B	WRPSB	0	0	0	0	0	0	1	1	1	0	0
Read S Control Register Group	RDSCTRL	0	0	0	0	0	0	1	0	1	1	0
Read PWM Register Group	RDPWM	0	0	0	0	0	1	0	0	0	1	0
Read PWM/S Control Register Group B	RDPSB	0	0	0	0	0	0	1	1	1	1	0

## OPERATION

COMMAND DESCRIPTION	NAME	CC[10:0] – COMMAND CODE										
		10	9	8	7	6	5	4	3	2	1	0
Start S Control Pulsing and Poll Status	STSCTRL	0	0	0	0	0	0	1	1	0	0	1
Clear S Control Register Group	CLRCTRL	0	0	0	0	0	0	1	1	0	0	0
Start Cell Voltage ADC Conversion and Poll Status	ADCV	0	1	MD[1]	MD[0]	1	1	DCP	0	CH[2]	CH[1]	CH[0]
Start Open Wire ADC Conversion and Poll Status	ADOW	0	1	MD[1]	MD[0]	PUP	1	DCP	1	CH[2]	CH[1]	CH[0]
Start Self Test Cell Voltage Conversion and Poll Status	CVST	0	1	MD[1]	MD[0]	ST[1]	ST[0]	0	0	1	1	1
Start Overlap Measurements of Cell 7 and Cell 13 Voltages	ADOL	0	1	MD[1]	MD[0]	0	0	DCP	0	0	0	1
Start GPIOs ADC Conversion and Poll Status	ADAX	1	0	MD[1]	MD[0]	1	1	0	0	CHG[2]	CHG[1]	CHG[0]
Start GPIOs ADC Conversion with Digital Redundancy and Poll Status	ADAXD	1	0	MD[1]	MD[0]	0	0	0	0	CHG[2]	CHG[1]	CHG[0]
Start GPIOs Open Wire ADC Conversion and Poll Status	AXOW	1	0	MD[1]	MD[0]	PUP	0	1	0	CHG[2]	CHG[1]	CHG[0]
Start Self Test GPIOs Conversion and Poll Status	AXST	1	0	MD[1]	MD[0]	ST[1]	ST[0]	0	0	1	1	1
Start Status Group ADC Conversion and Poll Status	ADSTAT	1	0	MD[1]	MD[0]	1	1	0	1	CHST[2]	CHST[1]	CHST[0]
Start Status Group ADC Conversion with Digital Redundancy and Poll Status	ADSTATD	1	0	MD[1]	MD[0]	0	0	0	1	CHST[2]	CHST[1]	CHST[0]
Start Self Test Status Group Conversion and Poll Status	STATST	1	0	MD[1]	MD[0]	ST[1]	ST[0]	0	1	1	1	1
Start Combined Cell Voltage and GPIO1, GPIO2 Conversion and Poll Status	ADCVAX	1	0	MD[1]	MD[0]	1	1	DCP	1	1	1	1
Start Combined Cell Voltage and SC Conversion and Poll Status	ADCVSC	1	0	MD[1]	MD[0]	1	1	DCP	0	1	1	1
Clear Cell Voltage Register Groups	CLRCELL	1	1	1	0	0	0	1	0	0	0	1
Clear Auxiliary Register Groups	CLRAUX	1	1	1	0	0	0	1	0	0	1	0
Clear Status Register Groups	CLRSTAT	1	1	1	0	0	0	1	0	0	1	1
Poll ADC Conversion Status	PLADC	1	1	1	0	0	0	1	0	1	0	0
Diagnose MUX and Poll Status	DIAGN	1	1	1	0	0	0	1	0	1	0	1
Write COMM Register Group	WRCOMM	1	1	1	0	0	1	0	0	0	0	1
Read COMM Register Group	RDCOMM	1	1	1	0	0	1	0	0	0	1	0
Start I <sup>2</sup> C/SPI Communication	STCOMM	1	1	1	0	0	1	0	0	0	1	1
Mute Discharge	MUTE	0	0	0	0	0	1	0	1	0	0	0
Unmute Discharge	UNMUTE	0	0	0	0	0	1	0	1	0	0	1

## OPERATION

Table 37. Command Bit Descriptions

NAME	DESCRIPTION	VALUES										
MD[1:0]	ADC Mode	MD	ADCOPT(CFGAR0[0]) = 0				ADCOPT(CFGAR0[0]) = 1					
		00	422Hz Mode				1kHz Mode					
		01	27kHz Mode (Fast)				14kHz Mode					
		10	7kHz Mode (Normal)				3kHz Mode					
		11	26Hz Mode (Filtered)				2kHz Mode					
DCP	Discharge Permitted	DCP										
		0	Discharge Not Permitted									
		1	Discharge Permitted									
CH[2:0]	Cell Selection for ADC Conversion			<b>Total Conversion Time in the 8 ADC Modes</b>								
		CH		27kHz	14kHz	7kHz	3kHz	2kHz	1kHz	422Hz	26Hz	
		000	All Cells	1.1ms	1.3ms	2.3ms	3.0ms	4.4ms	7.2ms	12.8ms	201ms	
		001	Cells 1, 7, 13	203μs	232μs	407μs	523μs	756μs	1.2ms	2.2ms	34ms	
		010	Cells 2, 8, 14									
		011	Cells 3, 9, 15									
		100	Cells 4, 10, 16									
		101	Cells 5, 11, 17									
110	Cells 6, 12, 18											
PUP	Pull-Up/Pull-Down Current for Open Wire Conversions	PUP										
		0	Pull-Down Current									
		1	Pull-Up Current									
ST[1:0]	Self Test Mode Selection			<b>Self Test Conversion Result</b>								
		ST		27kHz	14kHz	7kHz	3kHz	2kHz	1kHz	422Hz	26Hz	
		01	Self Test 1	0x9565	0x9553	0x9555	0x9555	0x9555	0x9555	0x9555	0x9555	
		10	Self test 2	0x6A9A	0x6AAC	0x6AAA	0x6AAA	0x6AAA	0x6AAA	0x6AAA	0x6AAA	
CHG[2:0]	GPIO Selection for ADC Conversion			<b>Total Conversion Time in the 8 ADC Modes</b>								
		CHG		27kHz	14kHz	7kHz	3kHz	2kHz	1kHz	422Hz	26Hz	
		000	GPIO 1–5, 2nd Reference, GPIO 6–9	1.8ms	2.1ms	3.9ms	5.0ms	7.4ms	12.0ms	21.3ms	335ms	
		001	GPIO 1 and GPIO 6	380μs	439μs	788μs	1.0ms	1.5ms	2.4ms	4.3ms	67.1ms	
		010	GPIO 2 and GPIO 7									
		011	GPIO 3 and GPIO 8									
		100	GPIO 4 and GPIO 9									
		101	GPIO 5	200μs	229μs	403μs	520μs	753μs	1.2ms	2.1ms	34ms	
110	2nd Reference											
CHST[2:0]*	Status Group Selection			<b>Total Conversion Time in the 8 ADC Modes</b>								
		CHST		27kHz	14kHz	7kHz	3kHz	2kHz	1kHz	422Hz	26Hz	
		000	SC, ITMP, VA, VD	742μs	858μs	1.6ms	2.0ms	3.0ms	4.8ms	8.5ms	134ms	
		001	SC	200μs	229μs	403μs	520μs	753μs	1.2ms	2.1ms	34ms	
		010	ITMP									
		011	VA									
		100	VD									

\*Note: Valid options for CHST in ADSTAT command are 0–4. If CHST is set to 5/6 in ADSTAT command, the LTC6813-1 ignores the command.

## OPERATION

### Memory Map

**Table 38. Configuration Register Group A**

REGISTER	RD/WR	BIT 7	BIT 6	BIT 5	BIT 4	BIT 3	BIT 2	BIT 1	BIT 0
CFGAR0	RD/WR	GPIO5	GPIO4	GPIO3	GPIO2	GPIO1	REFON	DTEN	ADCOPT
CFGAR1	RD/WR	VUV[7]	VUV[6]	VUV[5]	VUV[4]	VUV[3]	VUV[2]	VUV[1]	VUV[0]
CFGAR2	RD/WR	VOV[3]	VOV[2]	VOV[1]	VOV[0]	VUV[11]	VUV[10]	VUV[9]	VUV[8]
CFGAR3	RD/WR	VOV[11]	VOV[10]	VOV[9]	VOV[8]	VOV[7]	VOV[6]	VOV[5]	VOV[4]
CFGAR4	RD/WR	DCC8	DCC7	DCC6	DCC5	DCC4	DCC3	DCC2	DCC1
CFGAR5	RD/WR	DCTO[3]	DCTO[2]	DCTO[1]	DCTO[0]	DCC12	DCC11	DCC10	DCC9

**Table 39. Configuration Register Group B**

REGISTER	RD/WR	BIT 7	BIT 6	BIT 5	BIT 4	BIT 3	BIT 2	BIT 1	BIT 0
CFGBR0	RD/WR	DCC16	DCC15	DCC14	DCC13	GPIO9	GPIO8	GPIO7	GPIO6
CFGBR1	RD/WR	MUTE	FDRF	PS[1]	PS[0]	DTMEN	DCC0	DCC18	DCC17
CFGBR2	RD/WR	RSVD0	RSVD0	RSVD0	RSVD0	RSVD0	RSVD0	RSVD0	RSVD0
CFGBR3	RD/WR	RSVD0	RSVD0	RSVD0	RSVD0	RSVD0	RSVD0	RSVD0	RSVD0
CFGBR4	RD/WR	RSVD0	RSVD0	RSVD0	RSVD0	RSVD0	RSVD0	RSVD0	RSVD0
CFGBR5	RD/WR	RSVD0	RSVD0	RSVD0	RSVD0	RSVD0	RSVD0	RSVD0	RSVD0

**Table 40. Cell Voltage Register Group A**

REGISTER	RD/WR	BIT 7	BIT 6	BIT 5	BIT 4	BIT 3	BIT 2	BIT 1	BIT 0
CVAR0	RD	C1V[7]	C1V[6]	C1V[5]	C1V[4]	C1V[3]	C1V[2]	C1V[1]	C1V[0]
CVAR1	RD	C1V[15]	C1V[14]	C1V[13]	C1V[12]	C1V[11]	C1V[10]	C1V[9]	C1V[8]
CVAR2	RD	C2V[7]	C2V[6]	C2V[5]	C2V[4]	C2V[3]	C2V[2]	C2V[1]	C2V[0]
CVAR3	RD	C2V[15]	C2V[14]	C2V[13]	C2V[12]	C2V[11]	C2V[10]	C2V[9]	C2V[8]
CVAR4	RD	C3V[7]	C3V[6]	C3V[5]	C3V[4]	C3V[3]	C3V[2]	C3V[1]	C3V[0]
CVAR5	RD	C3V[15]	C3V[14]	C3V[13]	C3V[12]	C3V[11]	C3V[10]	C3V[9]	C3V[8]

**Table 41. Cell Voltage Register Group B**

REGISTER	RD/WR	BIT 7	BIT 6	BIT 5	BIT 4	BIT 3	BIT 2	BIT 1	BIT 0
CVBR0	RD	C4V[7]	C4V[6]	C4V[5]	C4V[4]	C4V[3]	C4V[2]	C4V[1]	C4V[0]
CVBR1	RD	C4V[15]	C4V[14]	C4V[13]	C4V[12]	C4V[11]	C4V[10]	C4V[9]	C4V[8]
CVBR2	RD	C5V[7]	C5V[6]	C5V[5]	C5V[4]	C5V[3]	C5V[2]	C5V[1]	C5V[0]
CVBR3	RD	C5V[15]	C5V[14]	C5V[13]	C5V[12]	C5V[11]	C5V[10]	C5V[9]	C5V[8]
CVBR4	RD	C6V[7]	C6V[6]	C6V[5]	C6V[4]	C6V[3]	C6V[2]	C6V[1]	C6V[0]
CVBR5	RD	C6V[15]	C6V[14]	C6V[13]	C6V[12]	C6V[11]	C6V[10]	C6V[9]	C6V[8]

## OPERATION

**Table 42. Cell Voltage Register Group C**

REGISTER	RD/WR	BIT 7	BIT 6	BIT 5	BIT 4	BIT 3	BIT 2	BIT 1	BIT 0
CVCR0	RD	C7V[7]	C7V[6]	C7V[5]	C7V[4]	C7V[3]	C7V[2]	C7V[1]	C7V[0]
CVCR1	RD	C7V[15]	C7V[14]	C7V[13]	C7V[12]	C7V[11]	C7V[10]	C7V[9]	C7V[8]
CVCR2*	RD	C8V[7]*	C8V[6]*	C8V[5]*	C8V[4]*	C8V[3]*	C8V[2]*	C8V[1]*	C8V[0]*
CVCR3*	RD	C8V[15]*	C8V[14]*	C8V[13]*	C8V[12]*	C8V[11]*	C8V[10]*	C8V[9]*	C8V[8]*
CVCR4	RD	C9V[7]	C9V[6]	C9V[5]	C9V[4]	C9V[3]	C9V[2]	C9V[1]	C9V[0]
CVCR5	RD	C9V[15]	C9V[14]	C9V[13]	C9V[12]	C9V[11]	C9V[10]	C9V[9]	C9V[8]

\*After performing the ADOL command, CVCR2 and CVCR3 of Cell Voltage Register Group C will contain the result of measuring Cell 7 from ADC1.

**Table 43. Cell Voltage Register Group D**

REGISTER	RD/WR	BIT 7	BIT 6	BIT 5	BIT 4	BIT 3	BIT 2	BIT 1	BIT 0
CVDR0	RD	C10V[7]	C10V[6]	C10V[5]	C10V[4]	C10V[3]	C10V[2]	C10V[1]	C10V[0]
CVDR1	RD	C10V[15]	C10V[14]	C10V[13]	C10V[12]	C10V[11]	C10V[10]	C10V[9]	C10V[8]
CVDR2	RD	C11V[7]	C11V[6]	C11V[5]	C11V[4]	C11V[3]	C11V[2]	C11V[1]	C11V[0]
CVDR3	RD	C11V[15]	C11V[14]	C11V[13]	C11V[12]	C11V[11]	C11V[10]	C11V[9]	C11V[8]
CVDR4	RD	C12V[7]	C12V[6]	C12V[5]	C12V[4]	C12V[3]	C12V[2]	C12V[1]	C12V[0]
CVDR5	RD	C12V[15]	C12V[14]	C12V[13]	C12V[12]	C12V[11]	C12V[10]	C12V[9]	C12V[8]

**Table 44. Cell Voltage Register Group E**

REGISTER	RD/WR	BIT 7	BIT 6	BIT 5	BIT 4	BIT 3	BIT 2	BIT 1	BIT 0
CVER0	RD	C13V[7]	C13V[6]	C13V[5]	C13V[4]	C13V[3]	C13V[2]	C13V[1]	C13V[0]
CVER1	RD	C13V[15]	C13V[14]	C13V[13]	C13V[12]	C13V[11]	C13V[10]	C13V[9]	C13V[8]
CVER2*	RD	C14V[7]*	C14V[6]*	C14V[5]*	C14V[4]*	C14V[3]*	C14V[2]*	C14V[1]*	C14V[0]*
CVER3*	RD	C14V[15]*	C14V[14]*	C14V[13]*	C14V[12]*	C14V[11]*	C14V[10]*	C14V[9]*	C14V[8]*
CVER4	RD	C15V[7]	C15V[6]	C15V[5]	C15V[4]	C15V[3]	C15V[2]	C15V[1]	C15V[0]
CVER5	RD	C15V[15]	C15V[14]	C15V[13]	C15V[12]	C15V[11]	C15V[10]	C15V[9]	C15V[8]

\*After performing the ADOL command, CVER2 and CVER3 of Cell Voltage Register Group E will contain the result of measuring Cell 13 from ADC2.

**Table 45. Cell Voltage Register Group F**

REGISTER	RD/WR	BIT 7	BIT 6	BIT 5	BIT 4	BIT 3	BIT 2	BIT 1	BIT 0
CVFR0	RD	C16V[7]	C16V[6]	C16V[5]	C16V[4]	C16V[3]	C16V[2]	C16V[1]	C16V[0]
CVFR1	RD	C16V[15]	C16V[14]	C16V[13]	C16V[12]	C16V[11]	C16V[10]	C16V[9]	C16V[8]
CVFR2	RD	C17V[7]	C17V[6]	C17V[5]	C17V[4]	C17V[3]	C17V[2]	C17V[1]	C17V[0]
CVFR3	RD	C17V[15]	C17V[14]	C17V[13]	C17V[12]	C17V[11]	C17V[10]	C17V[9]	C17V[8]
CVFR4	RD	C18V[7]	C18V[6]	C18V[5]	C18V[4]	C18V[3]	C18V[2]	C18V[1]	C18V[0]
CVFR5	RD	C18V[15]	C18V[14]	C18V[13]	C18V[12]	C18V[11]	C18V[10]	C18V[9]	C18V[8]



## OPERATION

**Table 46. Auxiliary Register Group A**

REGISTER	RD/WR	BIT 7	BIT 6	BIT 5	BIT 4	BIT 3	BIT 2	BIT 1	BIT 0
AVAR0	RD	G1V[7]	G1V[6]	G1V[5]	G1V[4]	G1V[3]	G1V[2]	G1V[1]	G1V[0]
AVAR1	RD	G1V[15]	G1V[14]	G1V[13]	G1V[12]	G1V[11]	G1V[10]	G1V[9]	G1V[8]
AVAR2	RD	G2V[7]	G2V[6]	G2V[5]	G2V[4]	G2V[3]	G2V[2]	G2V[1]	G2V[0]
AVAR3	RD	G2V[15]	G2V[14]	G2V[13]	G2V[12]	G2V[11]	G2V[10]	G2V[9]	G2V[8]
AVAR4	RD	G3V[7]	G3V[6]	G3V[5]	G3V[4]	G3V[3]	G3V[2]	G3V[1]	G3V[0]
AVAR5	RD	G3V[15]	G3V[14]	G3V[13]	G3V[12]	G3V[11]	G3V[10]	G3V[9]	G3V[8]

**Table 47. Auxiliary Register Group B**

REGISTER	RD/WR	BIT 7	BIT 6	BIT 5	BIT 4	BIT 3	BIT 2	BIT 1	BIT 0
AVBR0	RD	G4V[7]	G4V[6]	G4V[5]	G4V[4]	G4V[3]	G4V[2]	G4V[1]	G4V[0]
AVBR1	RD	G4V[15]	G4V[14]	G4V[13]	G4V[12]	G4V[11]	G4V[10]	G4V[9]	G4V[8]
AVBR2	RD	G5V[7]	G5V[6]	G5V[5]	G5V[4]	G5V[3]	G5V[2]	G5V[1]	G5V[0]
AVBR3	RD	G5V[15]	G5V[14]	G5V[13]	G5V[12]	G5V[11]	G5V[10]	G5V[9]	G5V[8]
AVBR4	RD	REF[7]	REF[6]	REF[5]	REF[4]	REF[3]	REF[2]	REF[1]	REF[0]
AVBR5	RD	REF[15]	REF[14]	REF[13]	REF[12]	REF[11]	REF[10]	REF[9]	REF[8]

**Table 48. Auxiliary Register Group C**

REGISTER	RD/WR	BIT 7	BIT 6	BIT 5	BIT 4	BIT 3	BIT 2	BIT 1	BIT 0
AVCR0	RD	G6V[7]	G6V[6]	G6V[5]	G6V[4]	G6V[3]	G6V[2]	G6V[1]	G6V[0]
AVCR1	RD	G6V[15]	G6V[14]	G6V[13]	G6V[12]	G6V[11]	G6V[10]	G6V[9]	G6V[8]
AVCR2	RD	G7V[7]	G7V[6]	G7V[5]	G7V[4]	G7V[3]	G7V[2]	G7V[1]	G7V[0]
AVCR3	RD	G7V[15]	G7V[14]	G7V[13]	G7V[12]	G7V[11]	G7V[10]	G7V[9]	G7V[8]
AVCR4	RD	G8V[7]	G8V[6]	G8V[5]	G8V[4]	G8V[3]	G8V[2]	G8V[1]	G8V[0]
AVCR5	RD	G8V[15]	G8V[14]	G8V[13]	G8V[12]	G8V[11]	G8V[10]	G8V[9]	G8V[8]

**Table 49. Auxiliary Register Group D**

REGISTER	RD/WR	BIT 7	BIT 6	BIT 5	BIT 4	BIT 3	BIT 2	BIT 1	BIT 0
AVDR0	RD	G9V[7]	G9V[6]	G9V[5]	G9V[4]	G9V[3]	G9V[2]	G9V[1]	G9V[0]
AVDR1	RD	G9V[15]	G9V[14]	G9V[13]	G9V[12]	G9V[11]	G9V[10]	G9V[9]	G9V[8]
AVDR2	RD	RSVD1	RSVD1	RSVD1	RSVD1	RSVD1	RSVD1	RSVD1	RSVD1
AVDR3	RD	RSVD1	RSVD1	RSVD1	RSVD1	RSVD1	RSVD1	RSVD1	RSVD1
AVDR4	RD	C160V	C16UV	C150V	C15UV	C140V	C14UV	C130V	C13UV
AVDR5	RD	RSVD1	RSVD1	RSVD1	RSVD1	C180V	C18UV	C170V	C17UV

## OPERATION

**Table 50. Status Register Group A**

REGISTER	RD/WR	BIT 7	BIT 6	BIT 5	BIT 4	BIT 3	BIT 2	BIT 1	BIT 0
STAR0	RD	SC[7]	SC[6]	SC[5]	SC[4]	SC[3]	SC[2]	SC[1]	SC[0]
STAR1	RD	SC[15]	SC[14]	SC[13]	SC[12]	SC[11]	SC[10]	SC[9]	SC[8]
STAR2	RD	ITMP[7]	ITMP[6]	ITMP[5]	ITMP[4]	ITMP[3]	ITMP[2]	ITMP[1]	ITMP[0]
STAR3	RD	ITMP[15]	ITMP[14]	ITMP[13]	ITMP[12]	ITMP[11]	ITMP[10]	ITMP[9]	ITMP[8]
STAR4	RD	VA[7]	VA[6]	VA[5]	VA[4]	VA[3]	VA[2]	VA[1]	VA[0]
STAR5	RD	VA[15]	VA[14]	VA[13]	VA[12]	VA[11]	VA[10]	VA[9]	VA[8]

**Table 51. Status Register Group B**

REGISTER	RD/WR	BIT 7	BIT 6	BIT 5	BIT 4	BIT 3	BIT 2	BIT 1	BIT 0
STBR0	RD	VD[7]	VD[6]	VD[5]	VD[4]	VD[3]	VD[2]	VD[1]	VD[0]
STBR1	RD	VD[15]	VD[14]	VD[13]	VD[12]	VD[11]	VD[10]	VD[9]	VD[8]
STBR2	RD	C40V	C4UV	C30V	C3UV	C20V	C2UV	C10V	C1UV
STBR3	RD	C80V	C8UV	C70V	C7UV	C60V	C6UV	C50V	C5UV
STBR4	RD	C120V	C12UV	C110V	C11UV	C100V	C10UV	C90V	C9UV
STBR5	RD	REV[3]	REV[2]	REV[1]	REV[0]	RSVD	RSVD	MUXFAIL	THSD

**Table 52. COMM Register Group**

REGISTER	RD/WR	BIT 7	BIT 6	BIT 5	BIT 4	BIT 3	BIT 2	BIT 1	BIT 0
COMM0	RD/WR	ICOM0[3]	ICOM0[2]	ICOM0[1]	ICOM0[0]	D0[7]	D0[6]	D0[5]	D0[4]
COMM1	RD/WR	D0[3]	D0[2]	D0[1]	D0[0]	FCOM0[3]	FCOM0[2]	FCOM0[1]	FCOM0[0]
COMM2	RD/WR	ICOM1[3]	ICOM1[2]	ICOM1[1]	ICOM1[0]	D1[7]	D1[6]	D1[5]	D1[4]
COMM3	RD/WR	D1[3]	D1[2]	D1[1]	D1[0]	FCOM1[3]	FCOM1[2]	FCOM1[1]	FCOM1[0]
COMM4	RD/WR	ICOM2[3]	ICOM2[2]	ICOM2[1]	ICOM2[0]	D2[7]	D2[6]	D2[5]	D2[4]
COMM5	RD/WR	D2[3]	D2[2]	D2[1]	D2[0]	FCOM2[3]	FCOM2[2]	FCOM2[1]	FCOM2[0]

**Table 53. S Control Register Group**

REGISTER	RD/WR	BIT 7	BIT 6	BIT 5	BIT 4	BIT 3	BIT 2	BIT 1	BIT 0
SCTRL0	RD/WR	SCTL2[3]	SCTL2[2]	SCTL2[1]	SCTL2[0]	SCTL1[3]	SCTL1[2]	SCTL1[1]	SCTL1[0]
SCTRL1	RD/WR	SCTL4[3]	SCTL4[2]	SCTL4[1]	SCTL4[0]	SCTL3[3]	SCTL3[2]	SCTL3[1]	SCTL3[0]
SCTRL2	RD/WR	SCTL6[3]	SCTL6[2]	SCTL6[1]	SCTL6[0]	SCTL5[3]	SCTL5[2]	SCTL5[1]	SCTL5[0]
SCTRL3	RD/WR	SCTL8[3]	SCTL8[2]	SCTL8[1]	SCTL8[0]	SCTL7[3]	SCTL7[2]	SCTL7[1]	SCTL7[0]
SCTRL4	RD/WR	SCTL10[3]	SCTL10[2]	SCTL10[1]	SCTL10[0]	SCTL9[3]	SCTL9[2]	SCTL9[1]	SCTL9[0]
SCTRL5	RD/WR	SCTL12[3]	SCTL12[2]	SCTL12[1]	SCTL12[0]	SCTL11[3]	SCTL11[2]	SCTL11[1]	SCTL11[0]

## OPERATION

**Table 54. PWM Register Group**

REGISTER	RD/WR	BIT 7	BIT 6	BIT 5	BIT 4	BIT 3	BIT 2	BIT 1	BIT 0
PWMR0	RD/WR	PWM2[3]	PWM2[2]	PWM2[1]	PWM2[0]	PWM1[3]	PWM1[2]	PWM1[1]	PWM1[0]
PWMR1	RD/WR	PWM4[3]	PWM4[2]	PWM4[1]	PWM4[0]	PWM3[3]	PWM3[2]	PWM3[1]	PWM3[0]
PWMR2	RD/WR	PWM6[3]	PWM6[2]	PWM6[1]	PWM6[0]	PWM5[3]	PWM5[2]	PWM5[1]	PWM5[0]
PWMR3	RD/WR	PWM8[3]	PWM8[2]	PWM8[1]	PWM8[0]	PWM7[3]	PWM7[2]	PWM7[1]	PWM7[0]
PWMR4	RD/WR	PWM10[3]	PWM10[2]	PWM10[1]	PWM10[0]	PWM9[3]	PWM9[2]	PWM9[1]	PWM9[0]
PWMR5	RD/WR	PWM12[3]	PWM12[2]	PWM12[1]	PWM12[0]	PWM11[3]	PWM11[2]	PWM11[1]	PWM11[0]

**Table 55. PWM/S Control Register Group B**

REGISTER	RD/WR	BIT 7	BIT 6	BIT 5	BIT 4	BIT 3	BIT 2	BIT 1	BIT 0
PSR0	RD/WR	PWM14[3]	PWM14[2]	PWM14[1]	PWM14[0]	PWM13[3]	PWM13[2]	PWM13[1]	PWM13[0]
PSR1	RD/WR	PWM16[3]	PWM16[2]	PWM16[1]	PWM16[0]	PWM15[3]	PWM15[2]	PWM15[1]	PWM15[0]
PSR2	RD/WR	PWM18[3]	PWM18[2]	PWM18[1]	PWM18[0]	PWM17[3]	PWM17[2]	PWM17[1]	PWM17[0]
PSR3	RD/WR	SCTL14[3]	SCTL14[2]	SCTL14[1]	SCTL14[0]	SCTL13[3]	SCTL13[2]	SCTL13[1]	SCTL13[0]
PSR4	RD/WR	SCTL16[3]	SCTL16[2]	SCTL16[1]	SCTL16[0]	SCTL15[3]	SCTL15[2]	SCTL15[1]	SCTL15[0]
PSR5	RD/WR	SCTL18[3]	SCTL18[2]	SCTL18[1]	SCTL18[0]	SCTL17[3]	SCTL17[2]	SCTL17[1]	SCTL17[0]

## OPERATION

**Table 56. Memory Bit Descriptions**

NAME	DESCRIPTION	VALUES																
GPIOx	GPIOx Pin Control	Write: 0 → GPIOx Pin Pull-Down ON; 1 → GPIOx Pin Pull-Down OFF (Default) Read: 0 → GPIOx Pin at Logic 0; 1 → GPIOx Pin at Logic 1																
REFON	References Powered Up	1 → References Remain Powered Up Until Watchdog Timeout 0 → References Shut Down After Conversions (Default)																
DTEN	Discharge Timer Enable (READ ONLY)	1 → Enables the Discharge Timer for Discharge Switches 0 → Disables Discharge Timer																
ADCOPT	ADC Mode Option Bit	ADCOPT: 0 → Selects Modes 27kHz, 7kHz, 422Hz or 26Hz with MD[1:0] Bits in ADC Conversion Commands (Default) 1 → Selects Modes 14kHz, 3kHz, 1kHz or 2kHz with MD[1:0] Bits in ADC Conversion Commands																
VUV	Undervoltage Comparison Voltage*	Comparison Voltage = (VUV + 1) • 16 • 100μV Default: VUV = 0x000																
VOV	Overvoltage Comparison Voltage*	Comparison Voltage = VOV • 16 • 100μV Default: VOV = 0x000																
DCC[x]	Discharge Cell x	x = 1 to 18: 1 → Turn ON Shorting Switch for Cell x 0 → Turn OFF Shorting Switch for Cell x (Default) x = 0: 1 → Turn ON GPIO9 Pull-Down 0 → Turn OFF GPIO9 Pull-Down (Default)																
DCTO	Discharge Time Out Value	DCTO(Write)	0	1	2	3	4	5	6	7	8	9	A	B	C	D	E	F
		Time (Min)	Disabled	0.5	1	2	3	4	5	10	15	20	30	40	60	75	90	120
		DCTO (Read)	0	1	2	3	4	5	6	7	8	9	A	B	C	D	E	F
		Time Left (Min)	Disabled or Timeout	0–0.5	0.5–1	1–2	2–3	3–4	4–5	5–10	10–15	15–20	20–30	30–40	40–60	60–75	75–90	90–120
MUTE	Mute Status (READ ONLY)	1 → Mute is Activated and Discharging is Disabled 0 → Mute is Deactivated																
FDRF	Force Digital Redundancy Failure	1 → Forces the Digital Redundancy Comparison for ADC Conversions to Fail 0 → Enables the Normal Redundancy Comparison																
PS[1:0]	Digital Redundancy Path Selection	11 → Redundancy is Applied Only to ADC3 Digital Path 10 → Redundancy is Applied Only to ADC2 Digital Path 01 → Redundancy is Applied Only to ADC1 Digital Path 00 → Redundancy is Applied Sequentially to ADC1, ADC2 and ADC3 Digital Paths During Cell Conversions and Applied to ADC1 During AUX and STATUS Conversions																
DTMEN	Enable Discharge Timer Monitor	1 → Enables the Discharge Timer Monitor Function if the DTEN Pin is Asserted 0 → Disables the Discharge Timer Monitor Function. The Normal Discharge Timer Function Will Be Enabled if the DTEN Pin is Asserted																
CxV	Cell x Voltage*	x = 1 to 18 16-Bit ADC Measurement Value for Cell x Cell Voltage for Cell x = CxV • 100μV CxV is Reset to 0xFFFF on Power-Up and After Clear Command																
GxV	GPIO x Voltage*	x = 1 to 9 16-Bit ADC Measurement Value for GPIOx Voltage for GPIOx = GxV • 100μV GxV is Reset to 0xFFFF on Power-Up and After Clear Command																
REF	2nd Reference Voltage*	16-Bit ADC Measurement Value for 2nd Reference Voltage for 2nd Reference = REF • 100μV <b>Normal Range is within 2.990V to 3.014V (2.992V to 3.012V for LTC68131), Allowing for Variations of V<sub>REF2</sub> Voltage and ADC TME as Well as Additional Margin to Prevent a False Fault from Being Reported</b>																
SC	Sum of All Cells Measurement*	16-Bit ADC Measurement Value of the Sum of All Cell Voltages Sum of All Cells Voltage = SC • 100μV • 30																
ITMP	Internal Die Temperature*	16-Bit ADC Measurement Value of Internal Die Temperature <b>Temperature Measurement Voltage = ITMP • 100μV/7.6mV/°C – 276°C</b>																

## OPERATION

NAME	DESCRIPTION	VALUES						
VA	Analog Power Supply Voltage*	16-Bit ADC Measurement Value of Analog Power Supply Voltage Analog Power Supply Voltage = VA • 100 $\mu$ V <b>The Value of VA is Set by External Components and Should Be in the Range 4.5V to 5.5V for Normal Operation</b>						
VD	Digital Power Supply Voltage*	16-Bit ADC Measurement Value of Digital Power Supply Voltage Digital Power Supply Voltage = VD • 100 $\mu$ V <b>Normal Range is within 2.7V to 3.6V</b>						
CxOV	Cell x Over-voltage Flag	x = 1 to 18 Cell Voltage Compared to VOV Comparison Voltage 0 → Cell x Not Flagged for Overvoltage Condition; 1 → Cell x Flagged						
CxUV	Cell x Under-voltage Flag	x = 1 to 18 Cell Voltage Compared to VUV Comparison Voltage 0 → Cell x Not Flagged for Undervoltage Condition; 1 → Cell x Flagged						
REV	Revision Code	Device Revision Code						
RSVD	Reserved Bits	Read: Read Back Value Can Be 1 or 0						
RSVD0	Reserved Bits	Read: Read Back Value is Always 0						
RSVD1	Reserved Bits	Read: Read Back Value is Always 1						
MUXFAIL	Multiplexer Self Test Result	Read: 0 → Multiplexer Passed Self Test; 1 → Multiplexer Failed Self Test						
THSD	Thermal Shutdown Status	Read: 0 → Thermal Shutdown Has Not Occurred; 1 → Thermal Shutdown Has Occurred THSD Bit Cleared to 0 on Read of Status Register Group B						
SCTLx[x]	S Pin Control Bits	0000 – Drive S Pin High (De-Asserted) 0001 – Send 1 High Pulse on S Pin 0010 – Send 2 High Pulses on S Pin 0011 – Send 3 High Pulses on S Pin 0100 – Send 4 High Pulses on S Pin 0101 – Send 5 High Pulses on S Pin 0110 – Send 6 High Pulses on S Pin 0111 – Send 7 High Pulses on S Pin 1XXX – Drive S Pin Low (Asserted)						
PWMx[x]	PWM Discharge Control	0000 – Selects 0% Discharge Duty Cycle if DCCx = 1 and Watchdog Timer Has Expired 0001 – Selects 6.7% Discharge Duty Cycle if DCCx = 1 and Watchdog Timer Has Expired 0010 – Selects 13.3% Discharge Duty Cycle if DCCx = 1 and Watchdog Timer Has Expired ... 1110 – Selects 93.3% Discharge Duty Cycle if DCCx = 1 and Watchdog Timer Has Expired 1111 – Selects 100% Discharge Duty Cycle if DCCx = 1 and Watchdog Timer Has Expired						
ICOMn	Initial Communication Control Bits	Write	I <sup>2</sup> C	0110	0001	0000	0111	
				START	STOP	BLANK	NO TRANSMIT	
		Read	I <sup>2</sup> C	0110	0001	0000	0111	
				START from Master	STOP from Master	SDA Low Between Bytes	SDA High Between Bytes	
		SPI	0111					
Dn	I <sup>2</sup> C/SPI Communication Data Byte	Data Transmitted (Received) to (from) I <sup>2</sup> C/SPI Slave Device						
FCOMn	Final Communication Control Bits	Write	I <sup>2</sup> C	0000	1000	1001		
				Master ACK	Master NACK	Master NACK + STOP		
		Read	I <sup>2</sup> C	0000	0111	1111	0001	1001
				ACK from Master	ACK from Slave	NACK from Slave	ACK from Slave + STOP from Master	NACK from Slave + STOP from Master
		SPI	1111					

\*Voltage equations use the decimal value of registers, 0 to 4095 for 12 bits and 0 to 65535 for 16 bits.

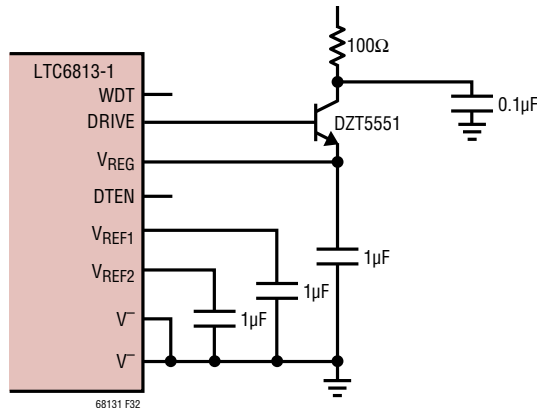
Rev. B

## APPLICATIONS INFORMATION

### PROVIDING DC POWER

#### Simple Linear Regulator

The primary supply pin for the LTC6813-1 is the 5V ( $\pm 0.5V$ )  $V_{REG}$  input pin. To generate the required 5V supply for  $V_{REG}$ , the DRIVE pin can be used to form a discrete regulator with the addition of a few external components, as shown in Figure 32. The DRIVE pin provides a 5.7V output, capable of sourcing 1mA. When buffered with an NPN transistor, this provides a stable 5V over temperature. The NPN transistor should be chosen to have a sufficient Beta over temperature ( $> 40$ ) to supply the necessary supply current. The peak  $V_{REG}$  current requirement of the LTC6813-1 approaches 35mA when simultaneously communicating over isoSPI and making ADC conversions. If the  $V_{REG}$  pin is required to support any additional load, a transistor with an even higher Beta may be required.



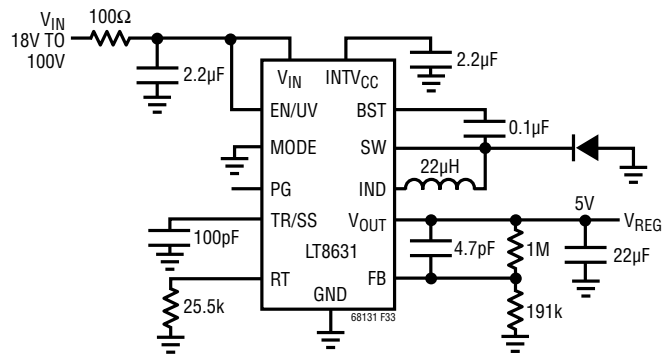
**Figure 32. Simple  $V_{REG}$  Power Source Using NPN Pass Transistor**

The NPN collector can be powered from any voltage source that is a minimum 6V above  $V^-$ . This includes the cells that are being monitored, or an unregulated power supply. A 100Ω/100nF RC decoupling network is recommended for the collector power connection to protect the NPN from transients. The emitter of the NPN should be

bypassed with a 1μF capacitor. Larger capacitance should be avoided since this will increase the wake-up time of the LTC6813-1. Some attention should be given to the thermal characteristic of the NPN, as there can be significant heating with a high collector voltage.

#### Improved Regulator Power Efficiency

For improved efficiency when powering the LTC6813-1 from the cell stack,  $V_{REG}$  may be powered from a DC/DC converter, rather than the NPN pass transistor. An ideal circuit is based on Analog Devices LT8631 step-down regulator, as shown in Figure 33. A 100Ω resistor is recommended between the battery stack and the LT8631 input; this will prevent in-rush current when connecting to the stack and it will reduce conducted EMI. The EN/UVLO pin should be connected to the DRIVE pin, which will put the LT8631 into a low power state when the LTC6813-1 is in the SLEEP state.



**Figure 33.  $V_{REG}$  Powered From Cell Stack with High Efficiency Regulator**

# APPLICATIONS INFORMATION

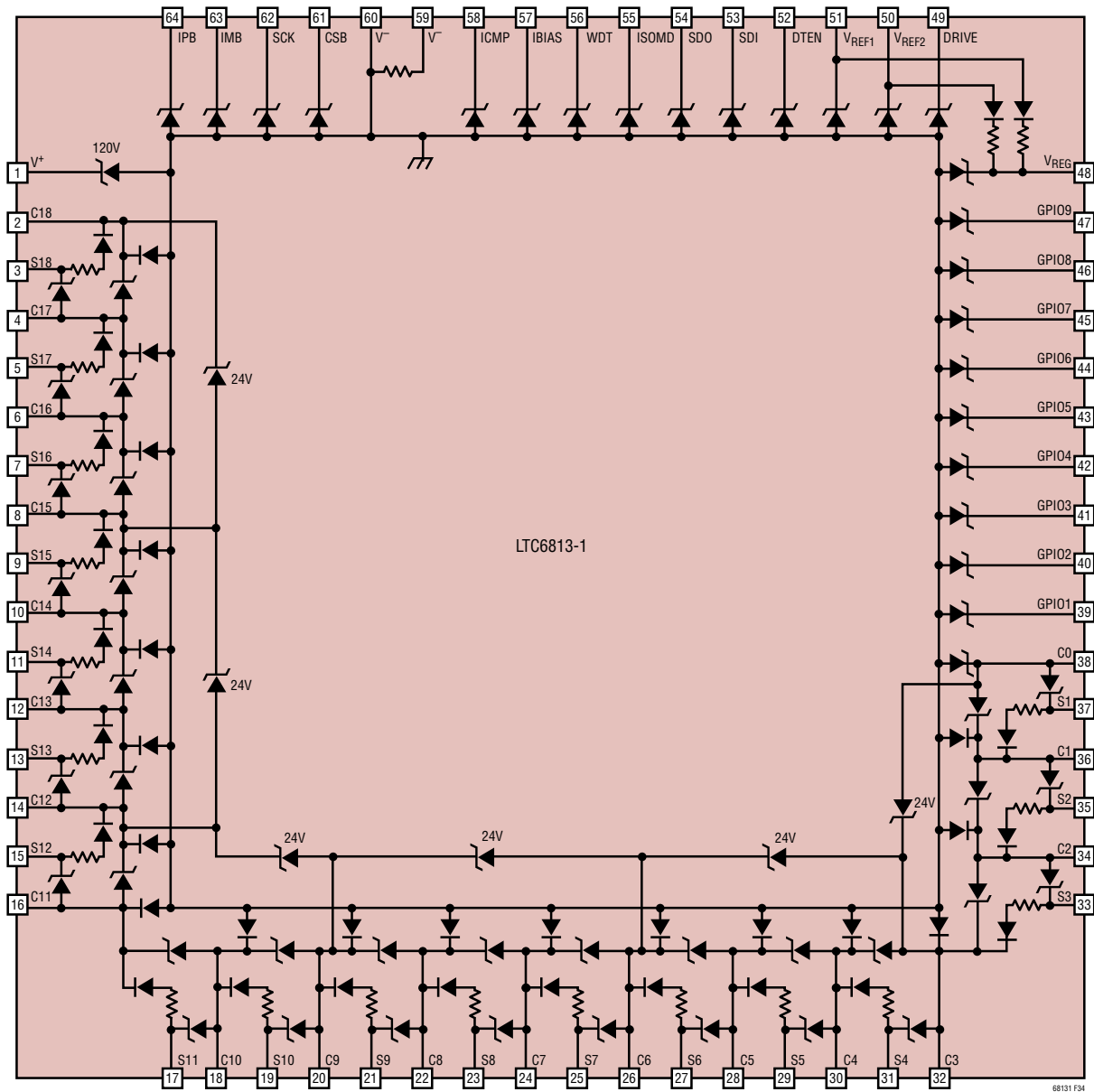
## INTERNAL PROTECTION AND FILTERING

### Internal Protection Features

The LTC6813-1 incorporates various ESD safeguards to ensure robust performance. An equivalent circuit showing the specific protection structures is shown in Figure 34. Zener-like suppressors are shown with their nominal clamp voltage, and the unmarked diodes exhibit standard PN junction behavior.

### Filtering of Cell and GPIO Inputs

The LTC6813-1 uses a delta-sigma ADC, which includes a delta-sigma modulator followed by a SINC3 finite impulse response (FIR) digital filter. This greatly relaxes input filtering requirements. Furthermore, the programmable oversampling ratio allows the user to determine the best trade-off between measurement speed and filter cutoff frequency. Even with this high order low pass filter, fast



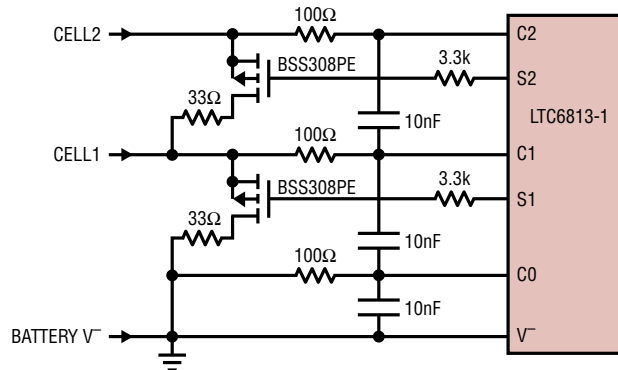
NOTE: ZENER VOLTAGE IS 8V UNLESS MARKED OTHERWISE.

Figure 34. Internal ESD Protection Structures of the LTC6813-1

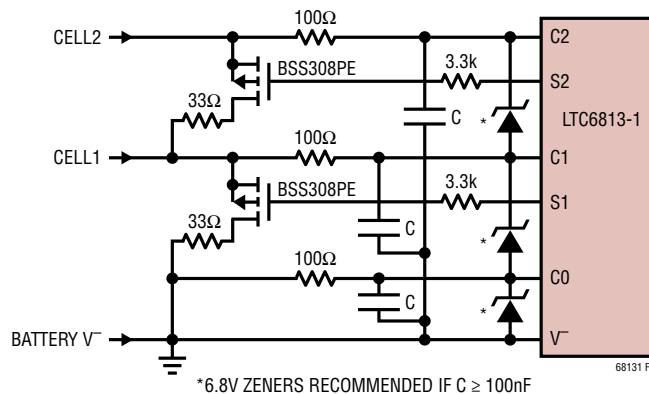
## APPLICATIONS INFORMATION

transient noise can still induce some residual noise in measurements, especially in the faster conversion modes. This can be minimized by adding an RC low pass decoupling to each ADC input, which also helps reject potentially damaging high energy transients. Adding more than about  $100\Omega$  to the ADC inputs begins to introduce a systematic error in the measurement, which can be improved by raising the filter capacitance or mathematically compensating in software with a calibration procedure. For situations that demand the highest level of battery voltage ripple rejection, grounded capacitor filtering is recommended. This configuration has a series resistance and capacitors that decouple HF noise to  $V^-$ . In systems where noise

is less periodic or higher oversample rates are in use, a differential capacitor filter structure is adequate. In this configuration there are series resistors to each input, but the capacitors connect between the adjacent C pins. However, the differential capacitor sections interact. As a result, the filter response is less consistent and results in less attenuation than predicted by the RC, by approximately a decade. Note that the capacitors only see one cell of applied voltage (thus smaller and lower cost) and tend to distribute transient energy uniformly across the IC (reducing stress events on the internal protection structure). Figure 35 shows the two methods schematically. ADC accuracy varies with R, C as shown in the Typical



(a) Differential Capacitor Filter



(b) Grounded Capacitor Filter

Figure 35. Input Filter Structure Configurations



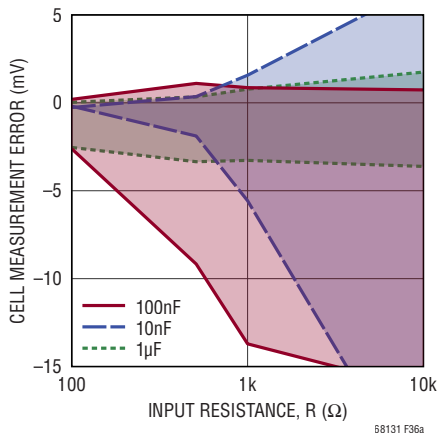
## APPLICATIONS INFORMATION

Performance curves, but error is minimized if  $R = 100\Omega$  and  $C = 10\text{nF}$ . The GPIO pins will always use a grounded capacitor configuration because the measurements are all with respect to  $V^-$ .

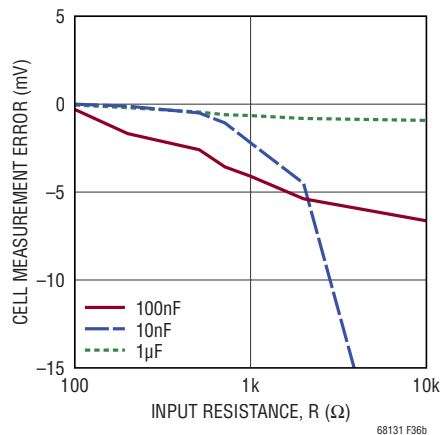
### Using Nonstandard Cell Input Filters

A cell pin filter of  $100\Omega$  and  $10\text{nF}$  is recommended for all applications. This filter provides the best combination of noise rejection and Total Measurement Error (TME) performance. In applications that use C pin RC filters larger than  $100\Omega/10\text{nF}$  there may be additional measurement error. Figure 36a shows how both total TME and TME variation increase as the RC time constant increases. The increased error is related to the MUX settling. It is possible to reduce

TME levels to near data sheet specifications by implementing an extra single channel conversion before issuing a standard all channel ADCV command. Figure 37a shows the standard ADCV command sequence. Figure 37b and Figure 37c show the recommended command sequence and timing that will allow the MUX to settle. The purpose of the modified procedure is to allow the MUX to settle at C1/C7/C13 before the start of the measurement cycle. The delay between the C1/C7/C13 ADCV command and the All Channel ADCV command is dependent on the time constant of the RC being used. The general guidance is to wait  $6\tau$  between the C1/C7/C13 ADCV command and the All Channel ADCV command. Figure 36b shows the expected TME when using the recommended command sequence.



(a) Cell Measurement Error Range vs Input RC Values



(b) Cell Measurement Error vs Input RC Values (Extra Conversion and Delay Before Measurement)

Figure 36. Cell Measurement TME

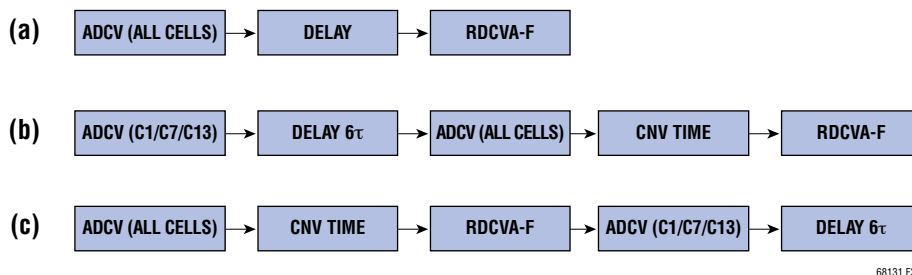


Figure 37. ADC Command Order

## APPLICATIONS INFORMATION

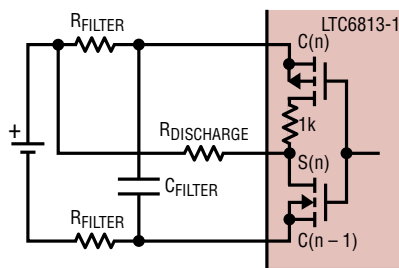
### CELL BALANCING

#### Cell Balancing with Internal MOSFETs

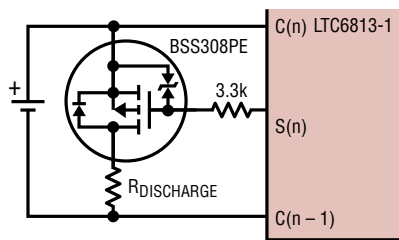
With passive balancing, if one cell in a series stack becomes overcharged, an S output can slowly discharge this cell by connecting it to a resistor. Each S output is connected to an internal N-channel MOSFET with a maximum on resistance of  $10\Omega$ . An external resistor should be connected in series with these MOSFETs to allow most of the heat to be dissipated outside of the LTC6813-1 package, as illustrated in Figure 38a.

The internal discharge switches (MOSFETs) S1 through S18 can be used to passively balance cells as shown in Figure 38a with balancing current of 200mA or less (80mA or less if the die temperature is over  $95^{\circ}\text{C}$ ). Balancing current larger than 200mA is not recommended for the internal switches due to excessive die heating. When discharging cells with the internal discharge switches, the die temperature should be monitored. See the Thermal Shutdown section.

Note that the anti-aliasing filter resistor is part of the discharge path, so it should be removed or reduced. Use of an RC for added cell voltage measurement filtering is OK



(a) Internal Discharge Circuit



(b) External Discharge Circuit

Figure 38. Internal/External Discharge Circuits

but the filter resistor must remain small, typically around  $10\Omega$  to reduce the effect on the balance current.

#### Cell Balancing with External Transistors

For applications that require balancing currents above 200mA or large cell filters, the S outputs can be used to control external transistors. The LTC6813-1 includes an internal pull-up PMOS transistor with a 1k series resistor. The S pins can act as digital outputs suitable for driving the gate of an external MOSFET as illustrated in Figure 38b. Figure 35 shows external MOSFET circuits that include RC filtering. For applications with very low cell voltages the PMOS in Figure 38b can be replaced with a PNP. When a PNP is used, the resistor in series with the base should be reduced.

#### Choosing a Discharge Resistor

When sizing the balancing resistor, it is important to know the typical battery imbalance and the allowable time for cell balancing. In most small battery applications, it is reasonable for the balancing circuitry to be able to correct for a 5% SOC (State of Charge) error with 5 hours of balancing. For example a 5AHr battery with a 5% SOC imbalance will have approximately 250mA Hrs of imbalance. Using a 50mA balancing current this could be corrected in 5 hours. With a 100mA balancing current, the error would be corrected in 2.5 hours. In systems with very large batteries, it becomes difficult to use passive balancing to correct large SOC imbalances in short periods of time. The excessive heat created during balancing generally limits the balancing current. In large capacity battery applications, if short balancing times are required, an active balancing solution should be considered. When choosing a balance resistor, the following equations can be used to help determine a resistor value:

$$\text{Balance Current} = \frac{\% \text{SOC\_Imbalance} \cdot \text{Battery Capacity}}{\text{Number of Hours to Balance}}$$

$$\text{Balance Resistor} = \frac{\text{Nominal Cell Voltage}}{\text{Balance Current}}$$

## APPLICATIONS INFORMATION

### Active Cell Balancing

Applications that require 1A or greater of cell balancing current should consider implementing an active balancing system. Active balancing allows for much higher balancing currents without the generation of excessive heat. Active balancing also allows for energy recovery since most of the balance current will be redistributed back to the battery pack. Figure 39 shows a simple active balancing implementation using Analog Devices LT8584. The LT8584 also has advanced features which can be controlled via the LTC6813-1. See S Pin Pulsing Using the S Pin Control Settings in this data sheet and the LT8584 data sheet for more details.

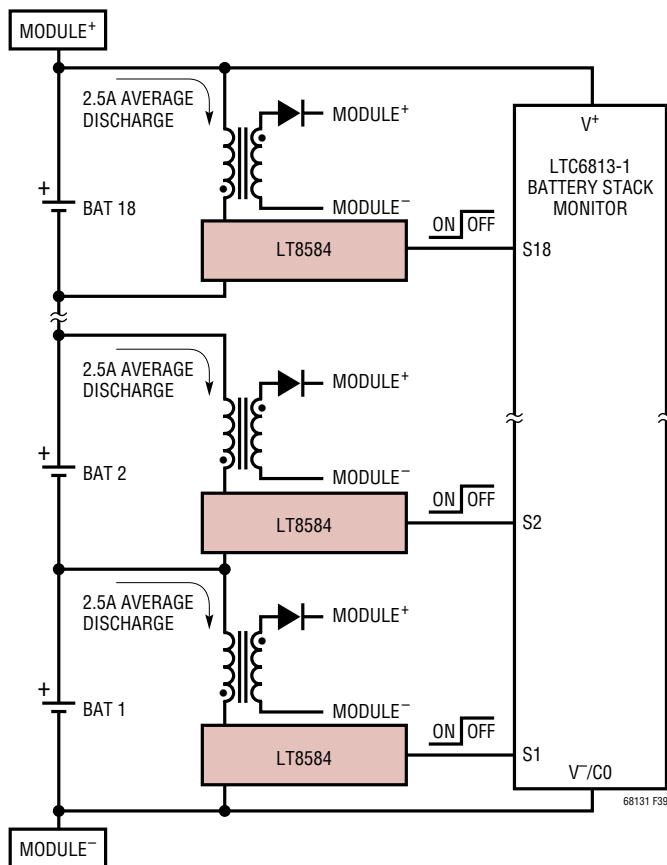


Figure 39. 18-Cell Battery Stack Module with Active Balancing

### DISCHARGE CONTROL DURING CELL MEASUREMENTS

If the discharge permitted (DCP) bit is high at the time of a cell measurement command, the S pin discharge states do not change during cell measurements. If the DCP bit is low, S pin discharge states will be disabled while the corresponding cell or adjacent cells are being measured. If using an external discharge transistor, the relatively low 1k $\Omega$  impedance of the internal LTC6813-1 PMOS transistors should allow the discharge currents to fully turn off before the cell measurement. Table 57 illustrates the ADCV command with DCP = 0. In this table, OFF indicates that the S pin discharge is forced off irrespective of the state of the corresponding DCC[x] bit. ON indicates that the S pin discharge will remain on during the measurement period if it was ON prior to the measurement command.

In some cases, it is not possible for the automatic discharge control to eliminate all measurement error caused by running the discharges. This is due to the discharge transistor not turning off fast enough for the cell voltage to completely settle before the measurement starts. For the best measurement accuracy when running discharge, the MUTE and UNMUTE commands should be used. The MUTE command can be issued to temporarily disable all discharge transistors before the ADCV command is issued. After the cell conversion completes, an UNMUTE can be sent to re-enable all discharge transistors that were previously ON. Using this method maximizes the measurement accuracy with a very small time penalty.

### Method to Verify Discharge Circuits

When using the internal discharge feature, the ability to verify discharge functionality can be implemented in software. In applications using an external discharge MOSFET, an additional resistor can be added between the battery cell and the source of the discharge MOSFET. This will allow the system to test discharge functionality.

## APPLICATIONS INFORMATION

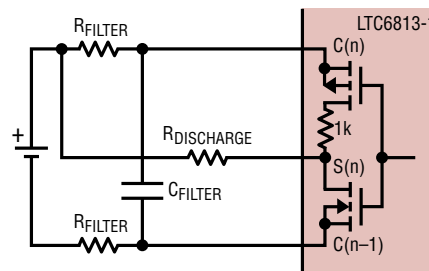
Table 57. Discharge Control During an ADCV Command with DCP = 0

DISCHARGE PIN	CELL MEASUREMENT PERIODS						CELL CALIBRATION PERIODS					
	CELL 1/7/13	CELL 2/8/14	CELL 3/9/15	CELL 4/10/16	CELL 5/11/17	CELL 6/12/18	CELL 1/7/13	CELL 2/8/14	CELL 3/9/15	CELL 4/10/16	CELL 5/11/17	CELL 6/12/18
	$t_0 - t_{1M}$	$t_{1M} - t_{2M}$	$t_{2M} - t_{3M}$	$t_{3M} - t_{4M}$	$t_{4M} - t_{5M}$	$t_{5M} - t_{6M}$	$t_{6M} - t_{1C}$	$t_{1C} - t_{2C}$	$t_{2C} - t_{3C}$	$t_{3C} - t_{4C}$	$t_{4C} - t_{5C}$	$t_{5C} - t_{6C}$
S1	OFF	OFF	ON	ON	ON	OFF	OFF	OFF	ON	ON	ON	OFF
S2	OFF	OFF	OFF	ON	ON	ON	OFF	OFF	OFF	ON	ON	ON
S3	ON	OFF	OFF	OFF	ON	ON	ON	OFF	OFF	OFF	ON	ON
S4	ON	ON	OFF	OFF	OFF	ON	ON	ON	OFF	OFF	OFF	ON
S5	ON	ON	ON	OFF	OFF	OFF	ON	ON	ON	OFF	OFF	OFF
S6	OFF	ON	ON	ON	OFF	OFF	OFF	ON	ON	ON	OFF	OFF
S7	OFF	OFF	ON	ON	ON	OFF	OFF	OFF	ON	ON	ON	OFF
S8	OFF	OFF	OFF	ON	ON	ON	OFF	OFF	OFF	ON	ON	ON
S9	ON	OFF	OFF	OFF	ON	ON	ON	OFF	OFF	OFF	ON	ON
S10	ON	ON	OFF	OFF	OFF	ON	ON	ON	OFF	OFF	OFF	ON
S11	ON	ON	ON	OFF	OFF	OFF	ON	ON	ON	OFF	OFF	OFF
S12	OFF	ON	ON	ON	OFF	OFF	OFF	ON	ON	ON	OFF	OFF
S13	OFF	OFF	ON	ON	ON	OFF	OFF	OFF	ON	ON	ON	OFF
S14	OFF	OFF	OFF	ON	ON	ON	OFF	OFF	OFF	ON	ON	ON
S15	ON	OFF	OFF	OFF	ON	ON	ON	OFF	OFF	OFF	ON	ON
S16	ON	ON	OFF	OFF	OFF	ON	ON	ON	OFF	OFF	OFF	ON
S17	ON	ON	ON	OFF	OFF	OFF	ON	ON	ON	OFF	OFF	OFF
S18	OFF	ON	ON	ON	OFF	OFF	OFF	ON	ON	ON	OFF	OFF

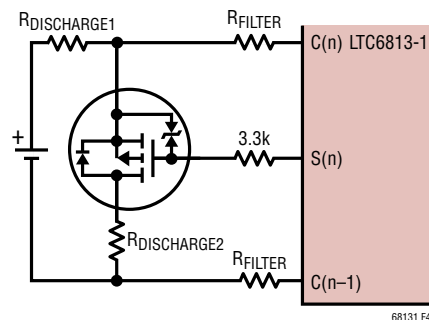
## APPLICATIONS INFORMATION

Both circuits are shown in Figure 40. The functionality of the discharge circuits can be verified by conducting cell measurements and comparing measurements when the discharge is off to measurements when the discharge is on. The measurement taken when the discharge is on requires that the discharge permit bit (DCP) be set. The change in the measurement when the discharge is turned on is calculable based on the resistor values. The following algorithm can be used in conjunction with Figure 40 to verify each discharge circuit:

1. Measure all cells with no discharging (all S outputs off) and read and store the results.
2. Turn on S1, S7 and S13.
3. Measure C1–C0, C7–C6, C13–C12.
4. Turn off S1, S7 and S13.
5. Turn on S2, S8 and S14.
6. Measure C2–C1, C8–C7, C14–C13.
7. Turn off S2, S8 and S14.
- ...
17. Turn on S6, S12 and S18.
18. Measure C6–C5, C12–C11, C18–C17.
19. Turn off S6, S12 and S18.
20. Read the Cell Voltage Register Groups to get the results of Steps 2 thru 19.
21. Compare new readings with old readings. Each cell voltage reading should have decreased by a fixed percentage set by  $R_{DISCHARGE}$  and  $R_{FILTER}$  for internal designs and  $R_{DISCHARGE1}$  and  $R_{DISCHARGE2}$  for external MOSFET designs. The exact amount of decrease depends on the resistor values and MOSFET characteristics.



(a) Internal Discharge Circuit



(b) External Discharge Circuit

Figure 40. Balancing Self Test Circuit

## APPLICATIONS INFORMATION

### DIGITAL COMMUNICATIONS

#### PEC Calculation

The Packet Error Code (PEC) can be used to ensure that the serial data read from the LTC6813-1 is valid and has not been corrupted. This is a critical feature for reliable communication, particularly in environments of high noise. The LTC6813-1 requires that a PEC be calculated for all data being read from, and written to, the LTC6813-1. For this reason it is important to have an efficient method for calculating the PEC.

The C code below provides a simple implementation of a lookup-table-derived PEC calculation method. There are two functions. The first function `init_PEC15_Table()` should only be called once when the microcontroller starts and will initialize a PEC15 table array called `pec15Table[]`. This table will be used in all future PEC calculations. The PEC15 table can also be hard coded into the microcontroller rather than running the `init_PEC15_Table()` function at startup. The `pec15()` function calculates the PEC and will return the correct 15-bit PEC for byte arrays of any given length.

```

/*****
Copyright 2012 Analog Devices, Inc. (ADI)
Permission to freely use, copy, modify, and distribute this software for any purpose with or
without fee is hereby granted, provided that the above copyright notice and this permission
notice appear in all copies: THIS SOFTWARE IS PROVIDED "AS IS" AND ADI DISCLAIMS ALL WARRANTIES
INCLUDING ALL IMPLIED WARRANTIES OF MERCHANTABILITY AND FITNESS. IN NO EVENT SHALL ADI BE LIABLE FOR
ANY SPECIAL, DIRECT, INDIRECT, OR CONSEQUENTIAL DAMAGES OR ANY DAMAGES WHATSOEVER RESULTING FROM ANY
USE OF SAME, INCLUDING ANY LOSS OF USE OR DATA OR PROFITS, WHETHER IN AN ACTION OF CONTRACT, NEGLIGENCE
OR OTHER TORTUOUS ACTION, ARISING OUT OF OR IN CONNECTION WITH THE USE OR PERFORMANCE OF THIS SOFTWARE.
*****/
int16 pec15Table[256];
int16 CRC15_POLY = 0x4599;
void init_PEC15_Table()
{
    for (int i = 0; i < 256; i++)
    {
        remainder = i << 7;
        for (int bit = 8; bit > 0; --bit)
        {
            if (remainder & 0x4000)
            {
                remainder = ((remainder << 1));
                remainder = (remainder ^ CRC15_POLY)
            }
            else
            {
                remainder = ((remainder << 1));
            }
        }
        pec15Table[i] = remainder&0xFFFF;
    }
}
unsigned int16 pec15 (char *data , int len)
{
    int16 remainder,address;
    remainder = 16;//PEC seed
    for (int i = 0; i < len; i++)
    {
        address = ((remainder >> 7) ^ data[i]) & 0xff;//calculate PEC table address
        remainder = (remainder << 8 ) ^ pec15Table[address];
    }
    return (remainder*2);//The CRC15 has a 0 in the LSB so the final value must be multiplied by 2
}

```

## APPLICATIONS INFORMATION

### isoSPI IBIAS and ICMP Setup

The LTC6813-1 allows the isoSPI links of each application to be optimized for power consumption or for noise immunity. The power and noise immunity of an isoSPI system is determined by the programmed  $I_B$  current, which controls the isoSPI signaling currents. Bias current  $I_B$  can range from  $100\mu\text{A}$  to  $1\text{mA}$ . Internal circuitry scales up this bias current to create the isoSPI signal currents equal to be  $20 \cdot I_B$ . A low  $I_B$  reduces the isoSPI power consumption in the READY and ACTIVE states, while a high  $I_B$  increases the amplitude of the differential signal voltage  $V_A$  across the matching termination resistor,  $R_M$ . The  $I_B$  current is programmed by the sum of the  $R_{B1}$  and  $R_{B2}$  resistors connected between the 2V IBIAS pin and GND as shown in Figure 41. The receiver input threshold is set by the ICMP voltage that is programmed with the resistor divider created by the  $R_{B1}$  and  $R_{B2}$  resistors. The receiver threshold will be half of the voltage present on the ICMP pin.

The following guidelines should be used when setting the bias current ( $100\mu\text{A}$  to  $1\text{mA}$ )  $I_B$  and the receiver comparator threshold voltage  $V_{ICMP}/2$ :

$$R_M = \text{Transmission Line Characteristic Impedance } Z_0$$

$$\text{Signal Amplitude } V_A = (20 \cdot I_B) \cdot (R_M/2)$$

$$V_{TCMP} \text{ (Receiver Comparator Threshold)} = K \cdot V_A$$

$$V_{ICMP} \text{ (voltage on ICMP pin)} = 2 \cdot V_{TCMP}$$

$$R_{B2} = V_{ICMP}/I_B$$

$$R_{B1} = (2/I_B) - R_{B2}$$

Select  $I_B$  and  $K$  (Signal Amplitude  $V_A$  to Receiver Comparator Threshold ratio) according to the application:

For lower power links:  $I_B = 0.5\text{mA}$  and  $K = 0.5$

For full power links:  $I_B = 1\text{mA}$  and  $K = 0.5$

For long links (>50m):  $I_B = 1\text{mA}$  and  $K = 0.25$

For applications with little system noise, setting  $I_B$  to  $0.5\text{mA}$  is a good compromise between power consumption and noise immunity. Using this  $I_B$  setting with a 1:1 transformer and  $R_M = 100\Omega$ ,  $R_{B1}$  should be set to  $3.01\text{k}$  and  $R_{B2}$  set to  $1\text{k}$ . With typical CAT5 twisted pair, these settings will allow for communication up to 50m. For applications in very noisy environments or that require cables longer than 50m it is recommended to increase  $I_B$  to  $1\text{mA}$ . Higher drive current compensates for the increased insertion loss in the cable and provides high noise immunity. When using cables over 50m and a transformer with a 1:1 turns ratio and  $R_M = 100\Omega$ ,  $R_{B1}$  would be  $1.5\text{k}$  and  $R_{B2}$  would be  $499\Omega$ .

The maximum clock rate of an isoSPI link is determined by the length of the isoSPI cable. For cables 10m or less, the maximum 1MHz SPI clock frequency is possible. As the length of the cable increases, the maximum possible SPI clock rate decreases. This dependence is a result of the increased propagation delays that can create possible timing violations. Figure 42 shows how the maximum data rate reduces as the cable length increases when using a CAT5 twisted pair.

Cable delay affects three timing specifications:  $t_{CLK}$ ,  $t_6$  and  $t_7$ . In the Electrical Characteristics table, each of these specifications is de-rated by 100ns to allow for 50ns

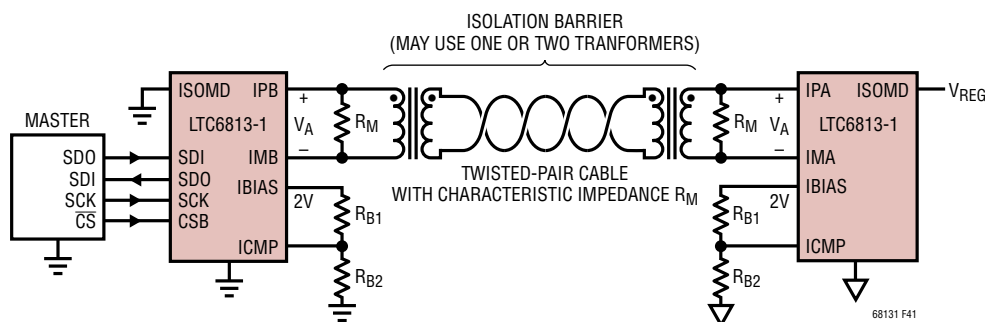


Figure 41. isoSPI Circuit

## APPLICATIONS INFORMATION

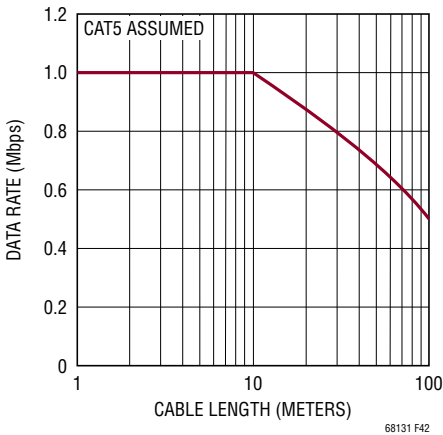


Figure 42. Data Rate vs Cable Length

of cable delay. For longer cables, the minimum timing parameters may be calculated as shown below:

$$t_{CLK}, t_6 \text{ and } t_7 > 0.9\mu\text{s} + 2 \cdot t_{CABLE} \text{ (0.2m per ns)}$$

### Implementing a Modular isoSPI Daisy Chain

The hardware design of a daisy-chain isoSPI bus is identical for each device in the network due to the daisy-chain point-to-point architecture. The simple design as shown in Figure 41 is functional, but inadequate for most designs. The termination resistor  $R_M$  should be split and bypassed with a capacitor as shown in Figure 43. This change provides both a differential and a common mode termination, and as such, increases the system noise immunity.

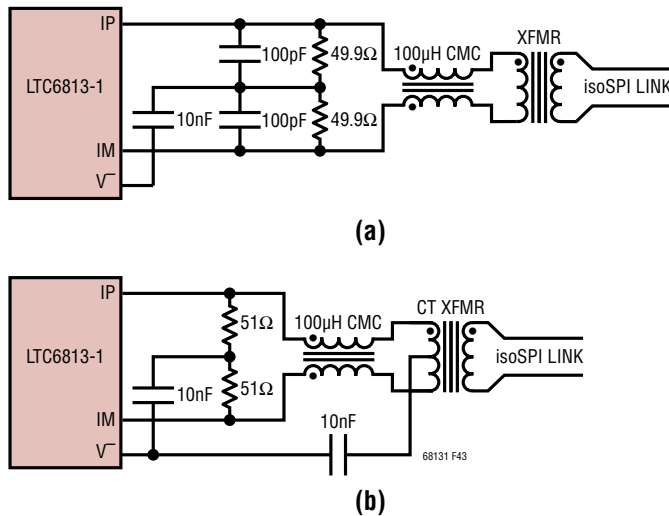


Figure 43. Daisy Chain Interface Components

The use of cables between battery modules, particularly in automotive applications, can lead to increased noise susceptibility in the communication lines. For high levels of electromagnetic interference (EMC), additional filtering is recommended. The circuit example in Figure 43 shows the use of common mode chokes (CMC) to add common mode noise rejection from transients on the battery lines. The use of a center tapped transformer will also provide additional noise performance. A bypass capacitor connected to the center tap creates a low impedance for common mode noise (Figure 43b). Since transformers without a center tap can be less expensive, they may be preferred. In this case, the addition of a split termination resistor and a bypass capacitor (Figure 43a) can enhance the isoSPI performance. Large center tap capacitors greater than 10nF should be avoided as they may prevent the isoSPI common mode voltage from settling. Common mode chokes similar to those used in Ethernet or CANbus applications are recommended. Specific examples are provided in Table 59.

An important daisy chain design consideration is the number of devices in the isoSPI network. Both the number of devices in a daisy chain and the length of wire between devices determines the serial timing and affects data latency and throughput.

For a daisy chain, it is necessary to extend minimum required  $t_5$ , the time from a rising chip select to the next falling chip select (between commands), from  $0.65\mu\text{s}$  to  $2\mu\text{s}$  (see Figure 25).

This timing for  $t_5$  is set by the MCU on the SPI interface of LTC6820 or the SPI interface of the bottom LTC6813-1 device if it is configured to operate in SPI mode. If necessary, LTC6813-1 will internally adjust the timing for  $t_6$  and  $t_5$  while transmitting on the Master isoSPI port such that  $t_6$  (Master port)  $> t_{6(GOV)}$  and  $t_5$  (Master port)  $> t_{5(GOV)}$ . This satisfies the timing requirement for the Slave port of the next device.

If the  $t_5$  requirement of  $2\mu\text{s}$  is satisfied on the SPI interface, there is no strict limitation on the maximum number of devices in the daisy chain.

However, it is important to note that the serial read back time, and the increased current consumption, might dictate a practical limitation in the size of the network.



## APPLICATIONS INFORMATION

### Connecting Multiple LTC6813-1s on the Same PCB

When connecting multiple LTC6813-1 devices on the same PCB, only a single transformer is required between the LTC6813-1 isoSPI ports. The absence of the cable also reduces the noise levels on the communication lines and often only a split termination is required. Figure 44 shows

an example application that has multiple LTC6813-1s on the same PCB, communicating to the bottom MCU through an LTC6820 isoSPI driver. If a transformer with a center tap is used, a capacitor can be added for better noise rejection. Additional noise filtering can be provided with discrete common mode chokes (not shown) placed to both sides of the single transformer.

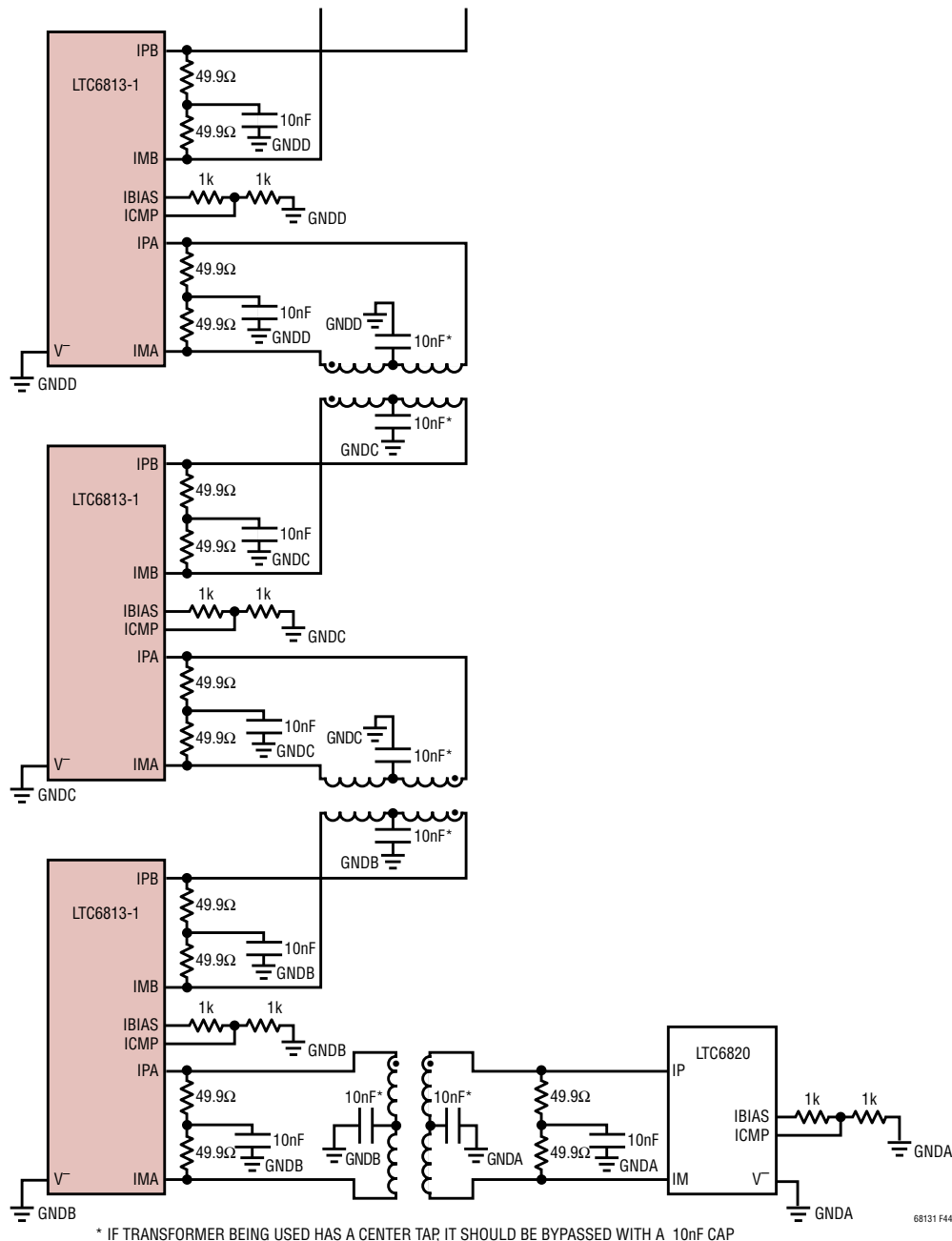


Figure 44. Daisy Chain Interface Components on Single Board

## APPLICATIONS INFORMATION

On single board designs with low noise requirements, it is possible for a simplified capacitor-isolated coupling as shown in Figure 45 to replace the transformer.

In this circuit, the transformer is directly replaced by two 10nF capacitors. A common mode choke (CMC) provides noise rejection similar to application circuits using transformers. The circuit is designed to use IBIAS/ICMP settings identical to the transformer circuit.

### Connecting an MCU to an LTC6813-1 with an isoSPI Data Link

The LTC6820 will convert standard 4-wire SPI into a 2-wire isoSPI link that can communicate directly with the LTC6813-1. An example is shown in Figure 46. The LTC6820 can be used in applications to provide isolation

between the microcontroller and the stack of LTC6813-1s. The LTC6820 also enables system configurations that have the BMS controller at a remote location relative to the LTC6813-1 devices and the battery pack.

### Transformer Selection Guide

As shown in Figure 41, a transformer or pair of transformers isolates the isoSPI signals between two isoSPI ports. The isoSPI signals have programmable pulse amplitudes up to 1.6V<sub>P-P</sub> and pulse widths of 50ns and 150ns. To be able to transmit these pulses with the necessary fidelity, the system requires that the transformers have primary inductances above 60μH and a 1:1 turns ratio. It is also necessary to use a transformer with less than 2.5μH of leakage inductance. In terms of pulse shape the primary inductance will mostly affect the pulse droop of the 50ns

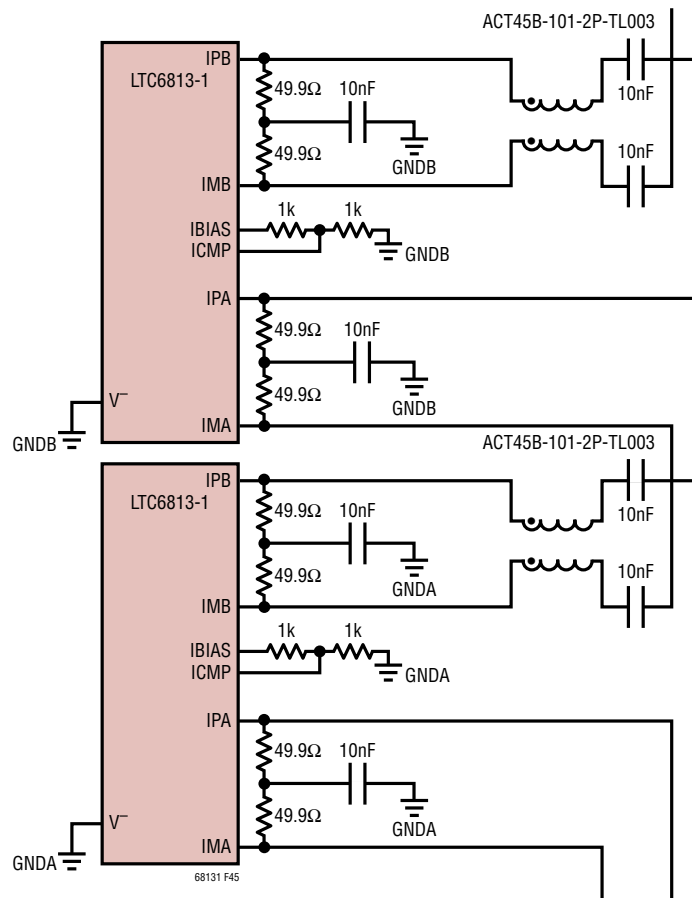


Figure 45. Capacitive Isolation Coupling for LTC6813-1s on the Same PCB

## APPLICATIONS INFORMATION

and 150ns pulses. If the primary inductance is too low, the pulse amplitude will begin to droop and decay over the pulse period. When the pulse droop is severe enough, the effective pulse width seen by the receiver will drop substantially, reducing noise margin. Some droop is acceptable as long as it is a relatively small percentage of the total pulse amplitude. The leakage inductance primarily affects the rise and fall times of the pulses. Slower rise and fall times will effectively reduce the pulse width. Pulse width is determined by the receiver as the time the signal is above the threshold set at the ICMP pin. Slow rise and fall times cut into the timing margins. Generally it is best to keep pulse edges as fast as possible. When evaluating transformers, it is also worth noting the parallel winding capacitance. While transformers have very good CMRR at low frequency, this rejection will degrade at higher frequencies, largely due to the winding to winding capacitance. When choosing a transformer, it is best to pick one with less parallel winding capacitance when possible.

When choosing a transformer, it is equally important to pick a part that has an adequate isolation rating for the application. The working voltage rating of a transformer is a key spec when selecting a part for an application. Interconnecting daisy-chain links between LTC6813-1

devices see <90V stress in typical applications; ordinary pulse and LAN type transformers will suffice. Connections to the LTC6820, in general, may need much higher working voltage ratings for good long-term reliability. Usually, matching the working voltage to the voltage of the entire battery stack is conservative. Unfortunately, transformer vendors will often only specify one-second HV testing, and this is not equal to the long-term (“permanent”) rating of the part. For example, according to most safety standards a 1.5kV rated transformer is expected to handle 230V continuously, and a 3kV device is capable of 1100V long-term, though manufacturers may not always certify to those levels (refer to actual vendor data for specifics). Usually, the higher voltage transformers are called “high-isolation” or “reinforced insulation” types by the suppliers. Table 58 shows a list of transformers that have been evaluated in isoSPI links.

In most applications a common mode choke is also necessary for noise rejection. Table 59 includes a list of suitable CMCs if the CMC is not already integrated into the transformer being used.

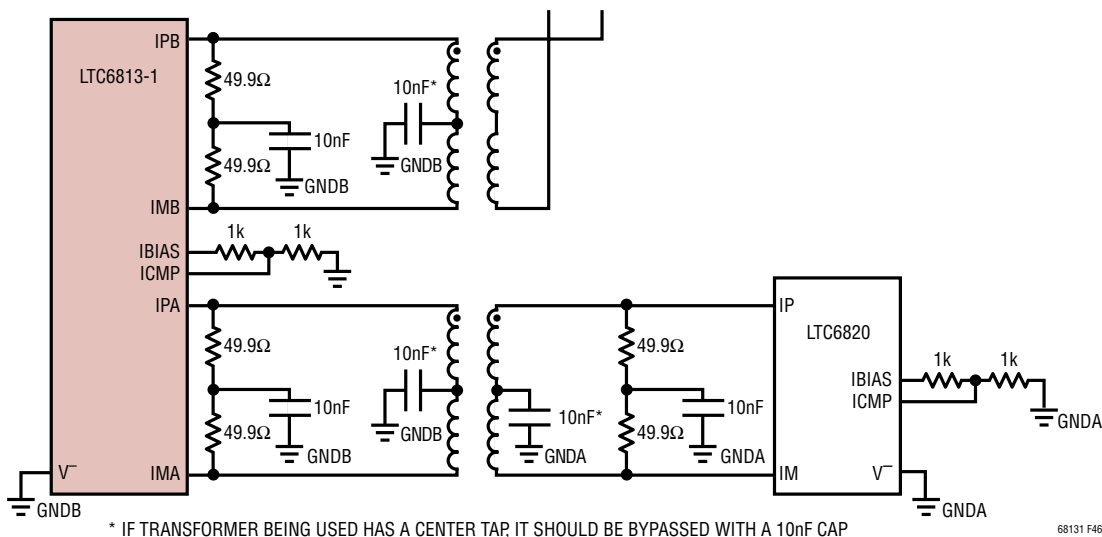


Figure 46. Interfacing an LTC6813-1 with a  $\mu$ C Using an LTC6820 for Isolated SPI Control

## APPLICATIONS INFORMATION

**Table 58. Recommended Transformers**

SUPPLIER	PART NUMBER	TEMP RANGE	V <sub>WORKING</sub>	V <sub>HIPOT/60S</sub>	CT	CMC	H	L	W (W/ LEADS)	PINS	AEC- Q200
<b>Recommended Dual Transformers</b>											
Bourns	SM91501AL	-40°C to 125°C	1000V	4.3kVdc	●	●	5.0mm	15.0mm	14.7mm	12SMT	●
Bourns	SM13105L (AS4562)	-40°C to 125°C	1600V	4.3kVrms	●	●	5.0mm	15.0mm	27.9mm	12SMT	-
Bourns	US4374	-40°C to 125°C	950V	4.3kVdc	●	●	4.9mm	15.6mm	24.0mm	12SMT	●
Jingweida	S12502BA	-40°C to 125°C	1000V	4.3kVdc	●	●	5.0mm	14.8mm	14.8mm	12SMT	●
Halo	TG110-AE050N5LF	-40°C to 85/125°C	60V (est)	1.5kVrms	●	●	6.4mm	12.7mm	9.5mm	16SMT	●
Sumida	CLP178-C20114	-40°C to 125°C	1000V (est)	3.75kVrms	●	●	9mm	17.5mm	15.1mm	12SMT	-
Sumida	CLP0612-C20115		600Vrms	3.75kVrms	●	-	5.7mm	12.7mm	9.4mm	16SMT	-
Pulse	HM2100NL	-40°C to 105°C	1000V	4.3kVdc	-	●	3.5mm	14.7mm	15.0mm	10SMT	●
Pulse	HM2112ZNL	-40°C to 125°C	1600V	4.3kVdc	●	●	3.5mm	14.7mm	15.5mm	12SMT	●
Pulse	HX1188FNL	-40°C to 85°C	60V (est)	1.5kVrms	●	●	6.0mm	12.7mm	9.7mm	16SMT	-
Pulse	HX0068ANL	-40°C to 85°C	60V (est)	1.5kVrms	●	●	2.1mm	12.7mm	9.7mm	16SMT	-
Würth	7490140110	-40°C to 85°C	250Vrms	4kVrms	●	●	10.9mm	24.6mm	17.0mm	16SMT	-
Würth	7490140111	0°C to 70°C	1000V (est)	4.5kVrms	●	-	8.4mm	17.1mm	15.2mm	12SMT	-
Würth	749014018	0°C to 70°C	250Vrms	4kVrms	●	●	8.4mm	17.1mm	15.2mm	12SMT	-
<b>Recommended Single Transformers</b>											
Bourns	SM91502AL	-40°C to 125°C	1000V	4.3kVdc	●	●	6.5mm	8.5mm	8.9mm	6SMT	●
Bourns	SM13102AL (US4195)	-40°C to 125°C	800V	4kVrms	●	●	3.8mm	11.6mm	21.1mm	6SMT	-
Halo	TD04-QXLTAW	-40°C to 85°C	1000V (est)	5kVrms	●	-	8.6mm	8.9mm	16.6mm	6TH	-
Halo	TGR04-6506V6LF	-40°C to 125°C	300V	3kVrms	●	-	10mm	9.5mm	12.1mm	6SMT	-
Halo	TGR04-A6506NA6NL	-40°C to 125°C	300V	3kVrms	●	-	9.4mm	8.9mm	12.1mm	6SMT	●
Halo	TDR04-A550ALLF	-40°C to 105°C	1000V	5kVrms	●	-	6.4mm	8.9mm	16.6mm	6TH	●
Jingweida	S06107BA	-40°C to 125°C	1000V (est)	4.3kVdc	●	●	6.3mm	7.6mm	9.9mm	6SMT	-
Pulse	HM2101NL	-40°C to 105°C	1000V	4.3kVdc	-	●	5.7mm	7.6mm	9.3mm	6SMT	●
Pulse	HM2113ZNL	-40°C to 125°C	1600V	4.3kVdc	●	●	3.5mm	9mm	15.5mm	6SMT	●
Sumida	CEEH96BNP-LTC6804/11	-40°C to 125°C	600V	2.5kVrms	-	-	7mm	9.2mm	12.0mm	4SMT	-
Sumida	CEP99NP-LTC6804	-40°C to 125°C	600V	2.5kVrms	●	-	10mm	9.2mm	12.0mm	8SMT	-
Sumida	ESMIT-4180/A	-40°C to 105°C	250Vrms	3kVrms	-	-	3.5mm	5.2mm	9.1mm	4SMT	●
Sumida	ESMIT-4187	-40°C to 105°C	>400Vrms (est)	2.5kVrms	-	-	3.5mm	7.5mm	12.8mm	4SMT	●
TDK	VMT40DR-201S2P4	-40°C to 125°C	600V (est)	3.4kVdc	●	-	4.0mm	8.5mm	13.8mm	6SMT	●
TDK	ALT4532V-201-T001	-40°C to 105°C	80V	~1kV	●	-	2.9mm	3.2mm	4.5mm	6SMT	●
TDK	VGT10/9EE-204S2P4	-40°C to 125°C	700V	2.8kVrms	●	-	10.6mm	10.4mm	12.6mm	8SMT	●
Sunlord	ALTW0806C-C03	-40°C to 125°C	300V (est)	3kVrms	●	-	8.8mm	6.3mm	8.9mm	6SMT	●
Würth	750340848	-40°C to 105°C	250V	3kVrms	-	-	2.2mm	4.4mm	9.1mm	4SMT	-
XFMRS	XFBMC29-BA09	-40°C to 85°C	1600V (est)	2.9kVrms	●	●	5.0mm	10.0mm	19.5mm	6SMT	●

**Table 59. Recommended Common Mode Chokes**

MANUFACTURER	PART NUMBER
TDK	ACT45B-101-2P
Murata	DLW43SH101XK2

## APPLICATIONS INFORMATION

### isoSPI Layout Guidelines

Layout of the isoSPI signal lines also plays a significant role in maximizing the noise immunity of a data link. The following layout guidelines are recommended:

1. The transformer should be placed as close to the isoSPI cable connector as possible. The distance should be kept less than 2cm. The LTC6813-1 should be placed close to but at least 1cm to 2cm away from the transformer to help isolate the IC from magnetic field coupling.
2. A  $V^-$  ground plane should not extend under the transformer, the isoSPI connector or in between the transformer and the connector.
3. The isoSPI signal traces should be as direct as possible while isolated from adjacent circuitry by ground metal or space. No traces should cross the isoSPI signal lines, unless separated by a ground plane on an inner layer.

### System Supply Current

The LTC6813-1 has various supply current specifications for the different states of operation. The average supply current depends on the control loop in the system. It is necessary to know which commands are being executed each control loop cycle, and the duration of the control loop cycle. From this information it is possible to determine the percentage of time the LTC6813-1 is in the MEASURE state versus the low power SLEEP state. The amount of isoSPI or SPI communication will also affect the average supply current.

### Calculating Serial Throughput

For any given LTC6813-1 the calculation to determine communication time is simple: it is the number of bits in the transmission multiplied by the SPI clock period

being used. The control protocol of the LTC6813-1 is very uniform so almost all commands can be categorized as a write, read or an operation. Table 60 can be used to determine the number of bits in a given LTC6813-1 command.

### ENHANCED APPLICATIONS

#### Using the LTC6813-1 with Fewer than 18 Cells

Cells can be connected in a conventional bottom (C1) to top (C18) sequence with all unused C inputs either shorted to the highest connected cell or left open. The unused S pins can simply be left unconnected.

Alternatively, to optimize measurement synchronization in applications with fewer than eighteen cells, the unused C pins may be equally distributed between the top of the third MUX (C18), the top of the second MUX (C12) and the top of the first MUX (C6). See Figure 47. If the number of cells being measured is not a multiple of three, the top MUX(es) should have fewer cells connected. The unused cell inputs should be tied to the other unused inputs on the same MUX and then connected to the battery stack through a 100 $\Omega$  resistor. The unused inputs will result in a reading of 0.0V for those cells.

#### Current Measurement with a Hall-Effect Sensor

The LTC6813-1 auxiliary ADC inputs (GPIO pins) may be used for any analog signal, including active sensors with 0V to 5V analog outputs. For battery current measurements, Hall-effect sensors provide an isolated, low power solution. Figure 48 shows schematically a typical Hall-effect sensor that produces two outputs that proportion to the  $V_{CC}$  provided. The sensor in Figure 48 has two bidirectional outputs centered at half of  $V_{CC}$ . CH1 is a 0A to 50A low range and CH2 is a 0A to 200A high range. The sensor is powered from a 5V source and produces analog outputs that are connected to GPIO pins or inputs of the

Table 60. Daisy Chain Serial Time Equations

COMMAND TYPE	CMD BYTES + CMD PEC	DATA BYTES + DATA PEC PER IC	TOTAL BITS	COMMUNICATION TIME
Read	4	8	$(4 + (8 \cdot \#ICs)) \cdot 8$	Total Bits • Clock Period
Write	4	8	$(4 + (8 \cdot \#ICs)) \cdot 8$	Total Bits • Clock Period
Operation	4	0	$4 \cdot 8 = 32$	$32 \cdot \text{Clock Period}$

APPLICATIONS INFORMATION

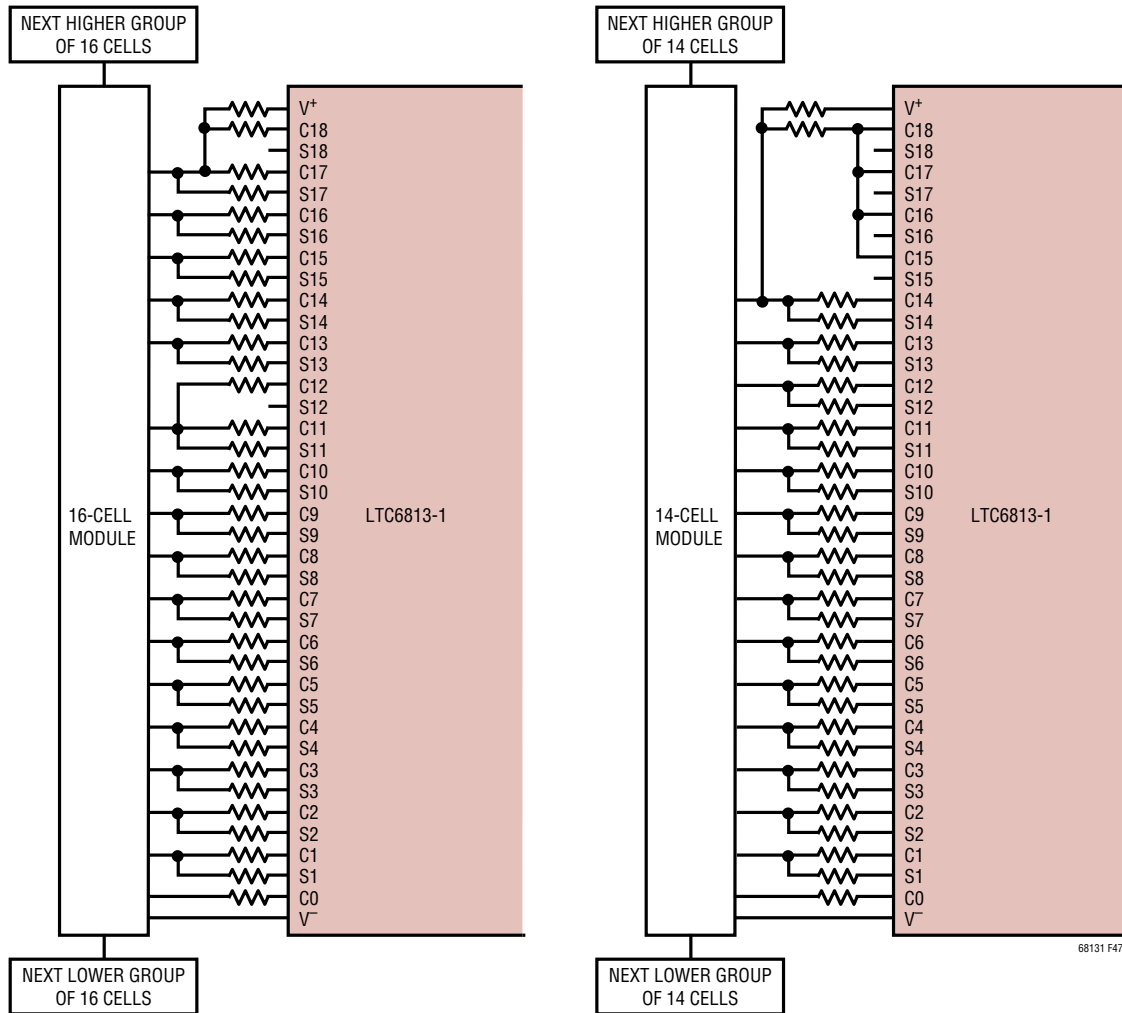


Figure 47. Cell Connection Schemes for 16 and 14 Cells

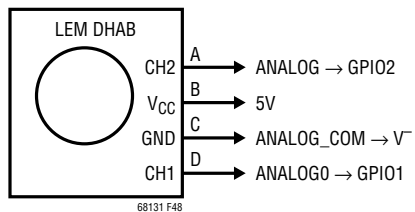


Figure 48. Interfacing a Typical Hall-Effect Battery Current Sensor to Auxiliary ADC Inputs

## APPLICATIONS INFORMATION

MUX application shown in Figure 50. The use of GPIO1 and GPIO2 as the ADC inputs has the possibility of being digitized within the same conversion sequence as the cell inputs (using the ADCVAX command), thus synchronizing cell voltage and cell current measurements.

### READING EXTERNAL TEMPERATURE PROBES

Figure 49 shows the typical biasing circuit for a negative temperature coefficient (NTC) thermistor. The 10k at 25°C is the most popular sensor value and the  $V_{REF2}$  output stage is designed to provide the current required to bias several of these probes. The biasing resistor is selected to correspond to the NTC value so the circuit will provide 1.5V at 25°C ( $V_{REF2}$  is 3V nominal). The overall circuit response is approximately  $-1\%/^{\circ}\text{C}$  in the range of typical cell temperatures, as shown in the chart of Figure 49.

### Expanding the Number of Auxiliary Measurements

The LTC6813-1 has nine GPIO pins that can be used as ADC inputs. In applications that need to measure more than nine signals, a multiplexer (MUX) circuit can be

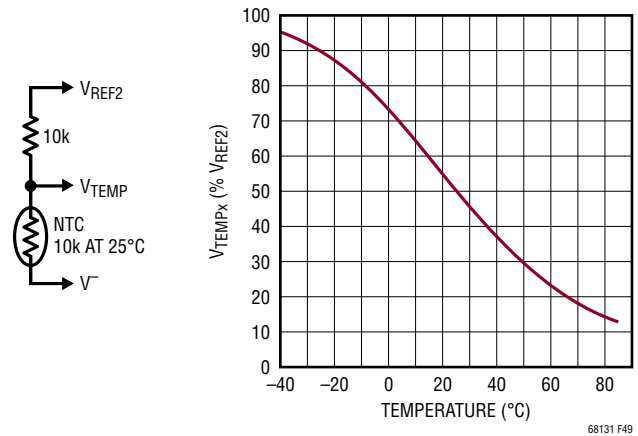


Figure 49. Typical Temperature Probe Circuit and Relative Output

implemented to expand the analog measurements to sixteen different signals (Figure 50). The GPIO1 ADC input is used for measurement and MUX control is provided by the I<sup>2</sup>C port on GPIO 4 and 5. The buffer amplifier was selected for fast settling and will increase the usable throughput rate.

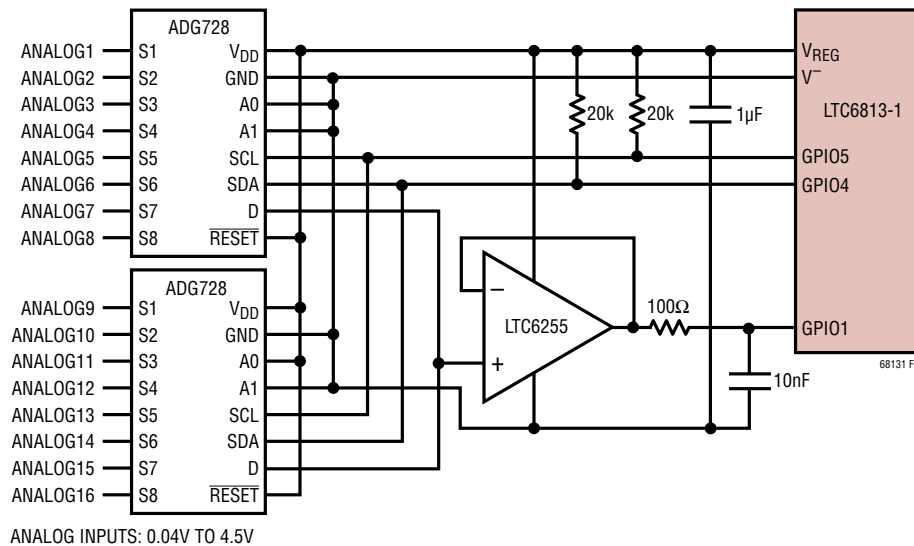
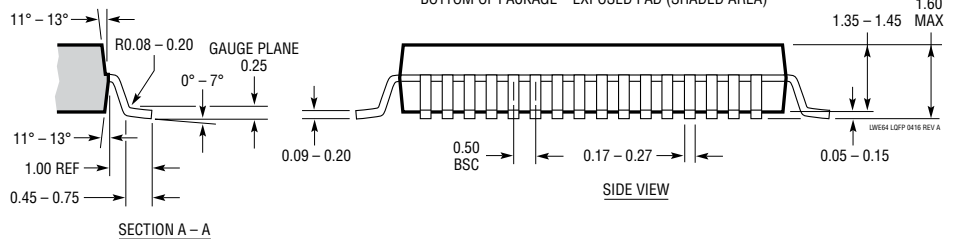
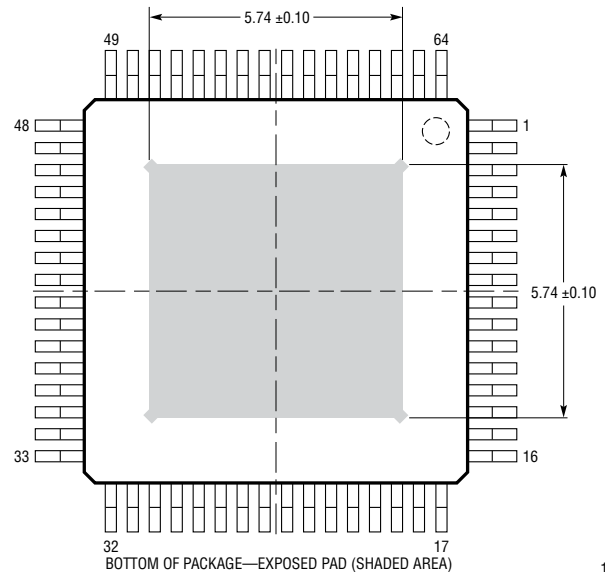
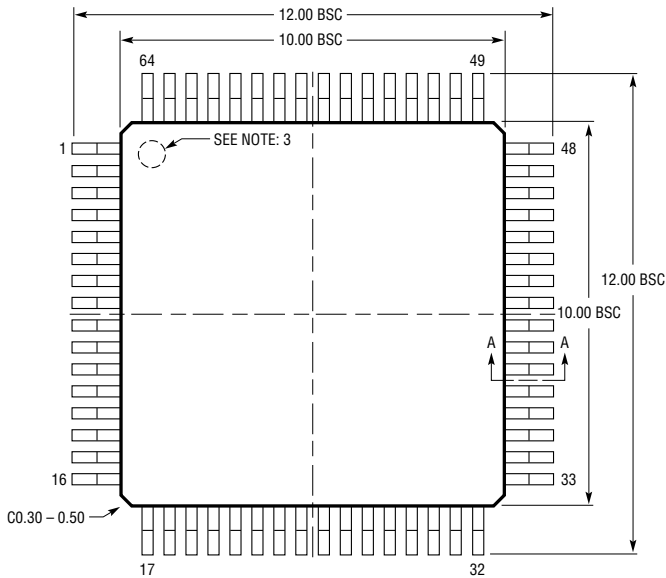
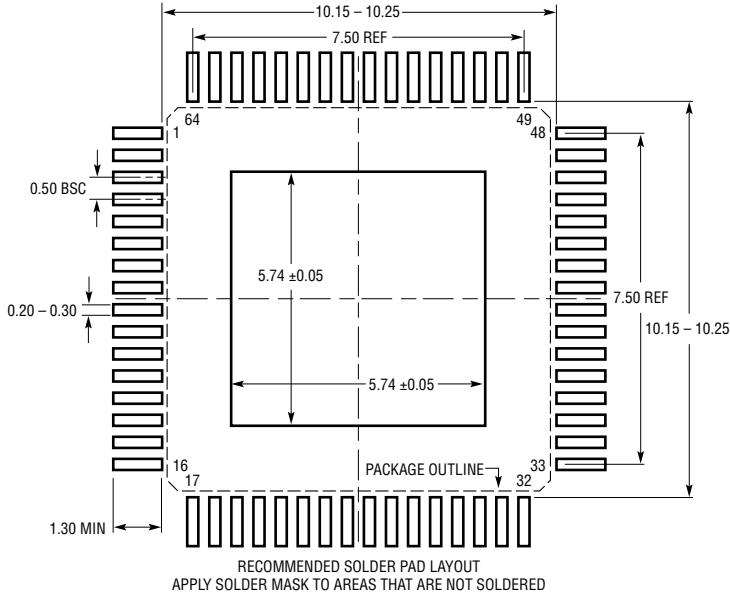


Figure 50. MUX Circuit Supports Sixteen Additional Analog Measurements

PACKAGE DESCRIPTION

LWE Package  
64-Lead Plastic Exposed Pad LQFP (10mm x 10mm)  
(Reference LTC DWG #05-08-1982 Rev A)



NOTE:  
1. DIMENSIONS ARE IN MILLIMETERS  
2. DIMENSIONS OF PACKAGE DO NOT INCLUDE MOLD FLASH. MOLD FLASH SHALL NOT EXCEED 0.25mm (10 MILS) BETWEEN THE LEADS AND MAX 0.50mm (20 MILS) ON ANY SIDE OF THE EXPOSED PAD, MAX 0.77mm (30 MILS) AT CORNER OF EXPOSED PAD, IF PRESENT

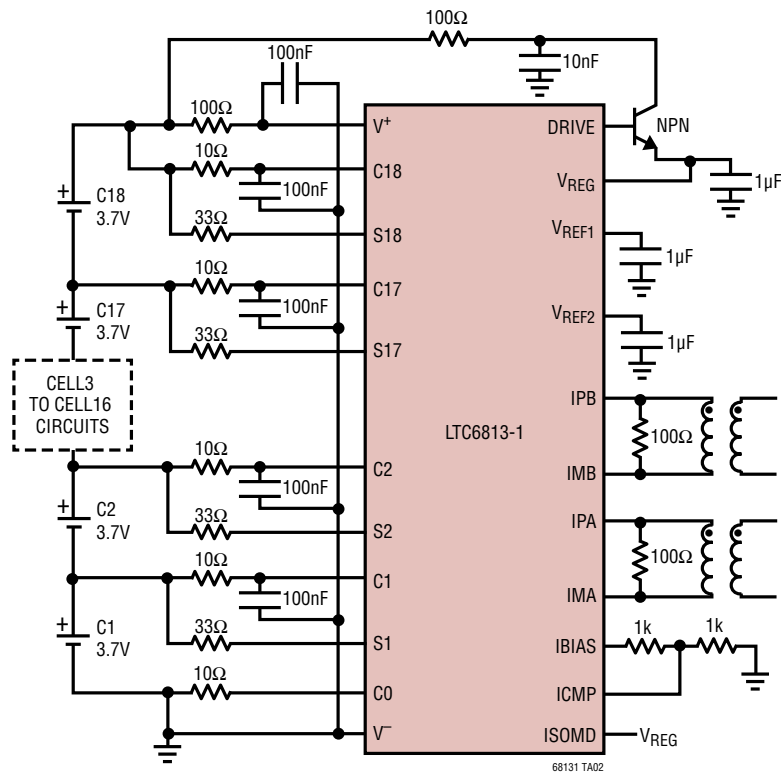
3. PIN-1 IDENTIFIER IS A MOLDED INDENTATION, 0.50mm DIAMETER  
4. DRAWING IS NOT TO SCALE



## REVISION HISTORY

REV	DATE	DESCRIPTION	PAGE NUMBER
A	03/19	Title Changed.	1
		Added Automotive Qualification to Front Page Features.	1
		Added Order Information for Tape and Reel.	3
		Added Note Regarding Automotive Products.	3
		Added Plot <i>Measurement Error Due to IR Reflow</i> .	10
		Added Plot <i>V<sub>REF2</sub> Change Due to IR Reflow</i> .	12
		Updated Figure 1 <i>LTC6813-1 Operation State Diagram</i> .	18
		Voltage Range Changed from 2.988V to 3.012V to 2.990V to 3.014V (2.992V to 3.012V for LTC6813I) Under Accuracy Check Section.	29
		Updated Figure 18 <i>LTC6813-1 Operation State Diagram Capacitive Coupled Daisy-Chain Configuration</i> .	42
		Voltage Range Changed from 2.988V to 3.12V to 2.990V to 3.014V (2.992V to 3.012V for LTC6813I) Under REF, Table 56, Memory Bit Description.	65
		Added PWMx (PWM Discharge Control) to Table 56. Memory Bit Description.	66
		Rewrote the Section <i>Improved Regulator Power Efficiency</i> .	67
		Updated Figure 34 <i>Internal ESD Protection Structures of the LTC6813-1</i> .	68
		Updated Figure 37 <i>ADC Command Order</i> .	70
		Renumbered the Steps for Discharge Verification Circuitry.	74
		Updated Figure 43 <i>Daisy Chain Interface Components</i> .	77
		Rewrote the Last Paragraph Section <i>Transformer Selection Guide</i> .	79
		Updated Figure 45 <i>Capacitive Isolation Coupling for LTC6813-1x on the Same PCB</i> .	79
		Updated Figure 47 <i>Cell Connection Schemes for 16 and 14 Cells</i> .	83
Updated Related Parts Section.	88		
B	11/20	Added Section "Reset Behaviors" into the Table of Contents.	2
		Renamed Sum of Cells to "Sum of All Cells".	4, 5, 26-28, 68
		Changed to ADC Timing Specifications: t <sub>CYCLE</sub> , t <sub>SKEW1</sub> , t <sub>SKEW2</sub> Min Values.	6, 7
		Rewrite to section entitled "CORE LTC6813-1 STATE DESCRIPTIONS".	18-19
		Rewrite to section entitled "ADC Conversion with Digital Redundancy".	27-28
		Rewrite to section entitled "Thermal Shutdown".	32
		Rewrite to section entitled "WATCHDOG AND DISCHARGE TIMER".	33-34
		Added new section entitled "RESET BEHAVIORS".	35
		Rewrite to section entitled "Implementing a Modular isoSPI Daisy Chain".	80
		Update to Table 58. Recommended Transformers.	84
		Rewrite to section entitled "Related Parts".	90

## TYPICAL APPLICATION



## RELATED PARTS

PART NUMBER	DESCRIPTION	COMMENTS
<a href="#">LTC6810-1/</a> <a href="#">LTC6810-2</a>	4th Generation 6-Cell Battery Stack Monitor and Balancing IC	Measures Cell Voltages for Up to 6 Series Battery Cells. Daisy-Chain Capability Allows Multiple Devices to Be Connected to Measure Many Battery Cells Simultaneously. The isoSPI Bus Can Operate Up to 1MHz and Can Be Operated Bidirectionally for Fault Conditions, Such As a Broken Wire or Connector. Includes Internal Passive Cell Balancing of up to 150mA.
<a href="#">LTC6811-1/</a> <a href="#">LTC6811-2</a>	4th Generation 12-Cell Battery Stack Monitor and Balancing IC	Measures Cell Voltages for Up to 12 Series Battery Cells. Daisy-Chain Capability Allows Multiple Devices to Be Connected to Measure Many Battery Cells Simultaneously Via the Built-In 1MHz, 2-Wire Isolated Communication (isoSPI). Includes Capability for Passive Cell Balancing.
<a href="#">LTC6812-1</a>	4th Generation 15-Cell Battery Stack Monitor and Balancing IC	Measures Cell Voltages for Up to 15 Series Battery Cells. The isoSPI Daisy-Chain Capability Allows Multiple Devices to Be Connected to Measure Many Battery Cells Simultaneously. The isoSPI Bus Can Operate Up to 1MHz and Can Be Operated Bidirectionally for Fault Conditions, Such As a Broken Wire or Connector. Includes Internal Passive Cell Balancing Capability of Up to 200mA.
<a href="#">LTC6820</a>	isoSPI Isolated Communications Interface	Provides an Isolated Interface for SPI Communication Up to 100 Meters, Using a Twisted Pair. Companion to the LTC6806, LTC6810, LTC6811, LTC6812 and LTC6813.