

Precision, Low Power Differential Amplifier/ADC Driver Family

FEATURES

- Available with User Settable Gain or Fixed-Gain of 0.5V/V, 1V/V, or 2V/V
- 2.9nV/ $\sqrt{\text{Hz}}$ Input-Referred Noise
- 2mA Maximum Supply Current
- 45ppm Max Gain Error
- 0.5ppm/ $^{\circ}\text{C}$ Max Gain Error Drift
- 94dB Min CMRR
- 100 μV Max Offset Voltage
- 50nA Max Input Offset Current
- Fast Settling: 720ns to 18-Bit, 8V_{P-P} Output
- 2.8V ($\pm 1.4\text{V}$) to 11V ($\pm 5.5\text{V}$) Supply Voltage Range
- Differential Rail-to-Rail Outputs
- Input Common Mode Range Includes Ground
- Low Distortion: 118dB SFDR at 2kHz, 18V_{P-P}
- 500MHz Gain-Bandwidth Product
- 35MHz -3dB Bandwidth
- Low Power Shutdown: 20 μA ($V_S = 3\text{V}$)
- 8-Lead MSOP, 2mm \times 3mm 8-Lead DFN and 3mm \times 3mm 16-lead LFCSP Packages

APPLICATIONS

- 20-Bit, 18-Bit and 16-Bit SAR ADC Drivers
- Single-Ended-to-Differential Conversion
- Low Power ADC Drivers
- Level Shifter
- Differential Line Drivers
- Battery-Powered Instrumentation

DESCRIPTION

The LTC6363 family consists of four fully differential, low power, low noise amplifiers with rail-to-rail outputs optimized to drive SAR ADCs. The LTC6363 is a standalone differential amplifier, where the gain is typically set using four external resistors. The LTC6363-0.5, LTC6363-1, and LTC6363-2 each have internal matched resistors to create fixed gain blocks with gains of 0.5V/V, 1V/V, and 2V/V respectively. Each of the fixed-gain amplifiers features precision laser trimmed on-chip resistors for accurate, ultrastable gain and excellent CMRR.

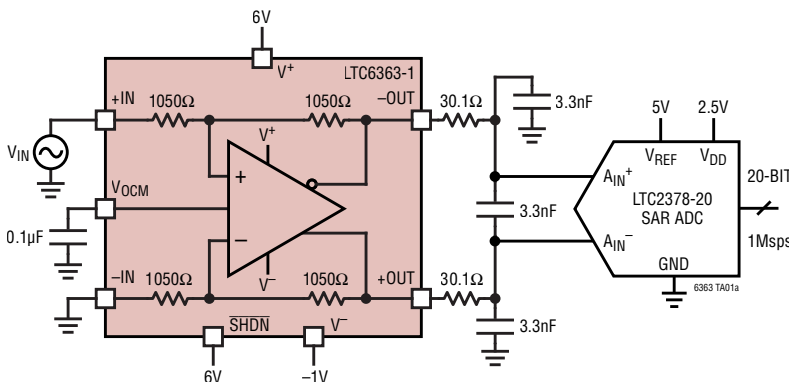
Family Selection Table

| PART NUMBER | GAIN | CONFIGURATION |
|-------------|----------|---------------|
| LTC6363 | User Set | |
| LTC6363-0.5 | 0.5V/V | |
| LTC6363-1 | 1V/V | |
| LTC6363-2 | 2V/V | |

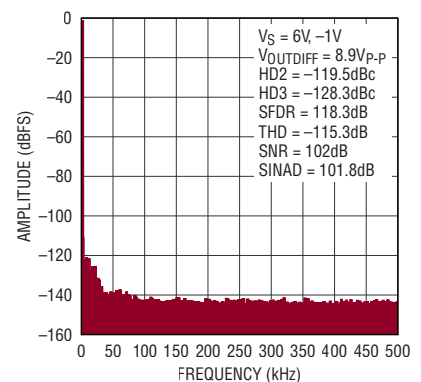
All registered trademarks and trademarks are the property of their respective owners.

TYPICAL APPLICATION

DC-Coupled Interface from a Ground-Referenced Single-Ended Input to an LTC2378-20 SAR ADC



LTC6363-1 Driving LTC2378-20
 $f_{IN} = 2\text{kHz}$, -1dBFS , 131k-Point FFT

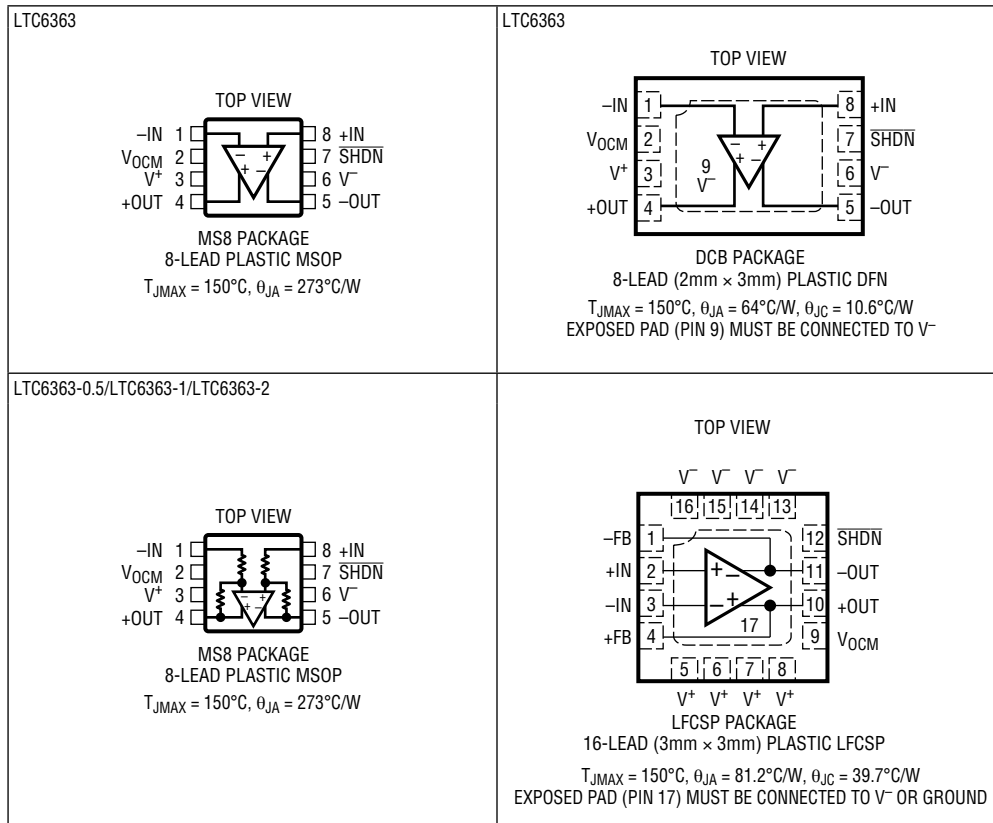


LTC6363 Family

ABSOLUTE MAXIMUM RATINGS (Note 1)

| | | | |
|---|--|---|----------------|
| Total Supply Voltage ($V^+ - V^-$) | 12V | Specified Temperature Range (Note 6) | |
| Input Voltage (+IN, -IN) (Note 2) | | LTC6363I/LTC6363I-0.5/LTC6363I-1/ LTC6363I-2 | -40°C to 85°C |
| LTC6363-0.5 | (V^-) - 14.9V to (V^+) + 14.9V | LTC6363H/LTC6363H-0.5/LTC6363H-1/ LTC6363H-2 | -40°C to 125°C |
| LTC6363-1 | (V^-) - 11.1V to (V^+) + 11.1V | Maximum Junction Temperature | 150°C |
| LTC6363-2 | (V^-) - 7.45V to (V^+) + 7.45V | Storage Temperature Range | -65°C to 150°C |
| Input Current (+IN, -IN) LTC6363 (Note 3) | ± 10 mA | MSOP Lead Temperature (Soldering, 10 sec) | 300°C |
| Input Current (V_{OCM} , SHDN) (Note 3) | ± 10 mA | | |
| Output Short-Circuit Duration (Note 4) | Thermally Limited | | |
| Operating Temperature Range (Note 5) | | | |
| LTC6363I/LTC6363I-0.5/LTC6363I-1/ LTC6363I-2 | -40°C to 85°C | | |
| LTC6363H/LTC6363H-0.5/LTC6363H-1/ LTC6363H-2 | -40°C to 125°C | | |

PIN CONFIGURATION



ORDER INFORMATION

| TUBE | TAPE AND REEL | PART MARKING* | PACKAGE DESCRIPTION | TEMPERATURE RANGE |
|---------------------|-----------------------|---------------|---------------------|-------------------|
| LTC6363IMS8#PBF | LTC6363IMS8#TRPBF | LTGSQ | 8-Lead Plastic MSOP | -40°C to 85°C |
| LTC6363HMS8#PBF | LTC6363HMS8#TRPBF | LTGSQ | 8-Lead Plastic MSOP | -40°C to 125°C |
| LTC6363IMS8-0.5#PBF | LTC6363IMS8-0.5#TRPBF | LTGST | 8-Lead Plastic MSOP | -40°C to 85°C |
| LTC6363HMS8-0.5#PBF | LTC6363HMS8-0.5#TRPBF | LTGST | 8-Lead Plastic MSOP | -40°C to 125°C |
| LTC6363IMS8-1#PBF | LTC6363IMS8-1#TRPBF | LTGSR | 8-Lead Plastic MSOP | -40°C to 85°C |
| LTC6363HMS8-1#PBF | LTC6363HMS8-1#TRPBF | LTGSR | 8-Lead Plastic MSOP | -40°C to 125°C |
| LTC6363IMS8-2#PBF | LTC6363IMS8-2#TRPBF | LTGSS | 8-Lead Plastic MSOP | -40°C to 85°C |
| LTC6363HMS8-2#PBF | LTC6363HMS8-2#TRPBF | LTGSS | 8-Lead Plastic MSOP | -40°C to 125°C |

Lead Free Finish

| TAPE AND REEL (MINI) | TAPE AND REEL | PART MARKING* | PACKAGE DESCRIPTION | TEMPERATURE RANGE |
|----------------------|-------------------|---------------|-----------------------------------|-------------------|
| LTC6363IDCB#TRMPBF | LTC6363IDCB#TRPBF | LGVG | 8-Lead (2mm × 3mm) Plastic DFN | -40°C to 85°C |
| LTC6363HDCB#TRMPBF | LTC6363HDCB#TRPBF | LGVG | 8-Lead (2mm × 3mm) Plastic DFN | -40°C to 125°C |
| LTC6363IRD#PBF | LTC6363IRD#TRPBF | LHJW | 16-Lead (3mm × 3mm) Plastic LFCSP | -40°C to 85°C |
| LTC6363HRD#PBF | LTC6363HRD#TRPBF | LHJW | 16-Lead (3mm × 3mm) Plastic LFCSP | -40°C to 125°C |

TRM = 500 pieces. *Temperature grades are identified by a label on the shipping container.

Contact the factory for parts specified with wider operating temperature ranges.

Contact the factory for information on lead based finish parts.

[Tape and reel specifications](#). Some packages are available in 500 unit reels through designated sales channels with #TRMPBF suffix.

ELECTRICAL CHARACTERISTICS Complete LTC6363 Family. The ● denotes the specifications which apply over the full operating temperature range, otherwise specifications and typical values are at $T_A = 25^\circ\text{C}$. $V^+ = 10\text{V}$, $V^- = 0\text{V}$, $V_{\text{CM}} = V_{\text{OCM}} = V_{\text{ICM}} = 5\text{V}$, $V_{\text{SHDN}} = \text{open}$. V_S is defined as $(V^+ - V^-)$. V_{OUTCM} is defined as $(V_{+\text{OUT}} + V_{-\text{OUT}})/2$. V_{ICM} is defined as $(V_{+\text{IN}} + V_{-\text{IN}})/2$. V_{OUTDIFF} is defined as $(V_{+\text{OUT}} - V_{-\text{OUT}})$.

| SYMBOL | PARAMETER | CONDITIONS | MIN | TYP | MAX | UNITS |
|-----------------------------------|---|---|------|-----|-----|------------------------------|
| PSRR (Note 7) | Differential Power Supply Rejection ($\Delta V_S/\Delta V_{\text{OSDIFF}}$) | $V_S = 2.8\text{V}$ to 11V | ● 90 | 125 | | dB |
| PSRRCM (Note 7) | Output Common Mode Power Supply Rejection ($\Delta V_S/\Delta V_{\text{OSCM}}$) | $V_S = 2.8\text{V}$ to 11V | ● 70 | 90 | | dB |
| GCM | Common Mode Gain ($\Delta V_{\text{OUTCM}}/\Delta V_{\text{OCM}}$) | $V_S = 3\text{V}$, V_{OCM} from 0.5V to 2.5V $V_S = 5\text{V}$, V_{OCM} from 0.5V to 4.5V $V_S = 10\text{V}$, V_{OCM} from 0.5V to 9.5V | ● | 1 | | V/V |
| ΔGCM | Common Mode Gain Error $100 \cdot (\text{GCM} - 1)$ | $V_S = 3\text{V}$, V_{OCM} from 0.5V to 2.5V $V_S = 5\text{V}$, V_{OCM} from 0.5V to 4.5V $V_S = 10\text{V}$, V_{OCM} from 0.5V to 9.5V | ● | 0.2 | 1 | % |
| BAL | Output Balance ($\Delta V_{\text{OUTCM}}/\Delta V_{\text{OUTDIFF}}$) | $\Delta V_{\text{OUTDIFF}} = 2\text{V}$ Single-Ended Input Differential Input | ● | -58 | -35 | dB |
| V_{OSCM} | Common Mode Offset Voltage ($V_{\text{OUTCM}} - V_{\text{OCM}}$) | $V_S = 3\text{V}$ $V_S = 5\text{V}$ $V_S = 10\text{V}$ | ● | ±1 | ±6 | mV |
| $\Delta V_{\text{OSCM}}/\Delta T$ | Common Mode Offset Voltage Drift | | ● | 10 | | $\mu\text{V}/^\circ\text{C}$ |
| V_{OUTCMR} (Note 9) | Output Signal Common Mode Range (Voltage Range for the V_{OCM} Pin) | V_{OCM} Driven Externally, $V_S = 3\text{V}$ V_{OCM} Driven Externally, $V_S = 5\text{V}$ V_{OCM} Driven Externally, $V_S = 10\text{V}$ | ● | 0.5 | 2.5 | V |
| | | | ● | 0.5 | 4.5 | V |
| | | | ● | 0.5 | 9.5 | V |

LTC6363 Family

ELECTRICAL CHARACTERISTICS Complete LTC6363 Family. The ● denotes the specifications which apply over the full operating temperature range, otherwise specifications and typical values are at $T_A = 25^\circ\text{C}$. $V^+ = 10\text{V}$, $V^- = 0\text{V}$, $V_{\text{CM}} = V_{\text{OCM}} = V_{\text{ICM}} = 5\text{V}$, $V_{\text{SHDN}} = \text{open}$. V_S is defined as $(V^+ - V^-)$. V_{OUTCM} is defined as $(V_{+\text{OUT}} + V_{-\text{OUT}})/2$. V_{ICM} is defined as $(V_{+\text{IN}} + V_{-\text{IN}})/2$. V_{OUTDIFF} is defined as $(V_{+\text{OUT}} - V_{-\text{OUT}})$.

| SYMBOL | PARAMETER | CONDITIONS | MIN | TYP | MAX | UNITS | |
|---------------------|---|--|-----|-----------------------|------|---------------|------------------|
| V_{OCM} | Self-Biased Voltage at the V_{OCM} Pin | V_{OCM} Not Connected, $V_S = 3\text{V}$ | ● | 1.38 | 1.5 | 1.82 | V |
| | | V_{OCM} Not Connected, $V_S = 5\text{V}$ | ● | 2.33 | 2.5 | 2.82 | V |
| | | V_{OCM} Not Connected, $V_S = 10\text{V}$ | ● | 4.79 | 5 | 5.21 | V |
| R_{INVOCM} | Input Resistance, V_{OCM} Pin | | ● | 1.3 | 1.8 | 2.3 | $\text{M}\Omega$ |
| | V_{OCM} Bandwidth | | | 15 | | MHz | |
| V_S | Supply Voltage Range | Guaranteed by PSRR | ● | 2.8 | 11 | V | |
| I_S | Supply Current | $V_S = 3\text{V}$, Active | ● | 1.7 | 1.8 | mA | |
| | | $V_S = 3\text{V}$, Shutdown | ● | 20 | 40 | μA | |
| | | $V_S = 5\text{V}$, Active | ● | 1.75 | 1.85 | mA | |
| | | $V_S = 5\text{V}$, Shutdown | ● | 30 | 65 | μA | |
| | | $V_S = 10\text{V}$, Active | ● | 1.9 | 2 | mA | |
| | | $V_S = 10\text{V}$, Shutdown | ● | 70 | 130 | μA | |
| V_{IL} | $\overline{\text{SHDN}}$ Input Logic Low | | ● | $(V^+ + V^-)/2 + 0.4$ | | V | |
| V_{IH} | $\overline{\text{SHDN}}$ Input Logic High | | ● | $(V^+ + V^-)/2 + 1.2$ | | V | |
| t_{ON} | Turn-On Time | | | 4 | | μs | |
| t_{OFF} | Turn-Off Time | | | 2 | | μs | |
| R_{SHDN} | Input Resistance, $\overline{\text{SHDN}}$ Pin | | ● | 300 | 500 | 700 | $\text{k}\Omega$ |

LTC6363 Only. The ● denotes the specifications which apply over the full operating temperature range, otherwise specifications and typical values are at $T_A = 25^\circ\text{C}$. $V^+ = 10\text{V}$, $V^- = 0\text{V}$, $V_{\text{CM}} = V_{\text{OCM}} = V_{\text{ICM}} = 5\text{V}$, $V_{\text{SHDN}} = \text{open}$. V_S is defined as $(V^+ - V^-)$. V_{OUTCM} is defined as $(V_{+\text{OUT}} + V_{-\text{OUT}})/2$. V_{ICM} is defined as $(V_{+\text{IN}} + V_{-\text{IN}})/2$. V_{OUTDIFF} is defined as $(V_{+\text{OUT}} - V_{-\text{OUT}})$. Typical specifications apply to the internal amplifier inside all versions.

| SYMBOL | PARAMETER | CONDITIONS | MIN | TYP | MAX | UNITS | |
|---|-----------------------------------|---|-----|---------|----------|------------------------------|---------------|
| V_{OSDIFF} (Note 7) | Differential Offset Voltage | $V_S = 3\text{V}$ $V_{\text{ICM}} = 1.5\text{V}$ | ● | 25 | 100 | μV | |
| | | $V_S = 5\text{V}$ $V_{\text{ICM}} = 2.5\text{V}$ | ● | 25 | 100 | μV | |
| | | $V_S = 10\text{V}$ $V_{\text{ICM}} = 5\text{V}$ | ● | 25 | 100 | μV | |
| $\Delta V_{\text{OSDIFF}}/\Delta T$ (Notes 7, 8) | Differential Offset Voltage Drift | $V_S = 3\text{V}$ | ● | 0.45 | 1.25 | $\mu\text{V}/^\circ\text{C}$ | |
| | | $V_S = 5\text{V}$ | ● | 0.45 | 1.25 | $\mu\text{V}/^\circ\text{C}$ | |
| | | $V_S = 10\text{V}$ | ● | 0.45 | 1.25 | $\mu\text{V}/^\circ\text{C}$ | |
| A_{VOL} | Open-Loop Voltage Gain | | | 125 | | dB | |
| I_B (Note 10) | Input Bias Current | $V_S = 3\text{V}$ | ● | -1 | -0.5 | -0.1 | μA |
| | | $V_S = 5\text{V}$ | ● | -1 | -0.5 | -0.1 | μA |
| | | $V_S = 10\text{V}$ | ● | -1 | -0.5 | -0.1 | μA |
| I_{OS} (Note 10) | Input Offset Current | $V_S = 3\text{V}$ | ● | ± 5 | ± 50 | ± 75 | nA |
| | | $V_S = 5\text{V}$ | ● | ± 5 | ± 50 | ± 75 | nA |
| | | $V_S = 10\text{V}$ | ● | ± 5 | ± 50 | ± 75 | nA |

ELECTRICAL CHARACTERISTICS LTC6363 Only. The ● denotes the specifications which apply over the full operating temperature range, otherwise specifications and typical values are at $T_A = 25^\circ\text{C}$. $V^+ = 10\text{V}$, $V^- = 0\text{V}$, $V_{\text{CM}} = V_{\text{OCM}} = V_{\text{ICM}} = 5\text{V}$, $V_{\text{SHDN}} = \text{open}$. V_S is defined as $(V^+ - V^-)$. V_{OUTCM} is defined as $(V_{\text{+OUT}} + V_{\text{-OUT}})/2$. V_{ICM} is defined as $(V_{\text{+IN}} + V_{\text{-IN}})/2$. V_{OUTDIFF} is defined as $(V_{\text{+OUT}} - V_{\text{-OUT}})$. Typical specifications apply to the internal amplifier inside all versions.

| SYMBOL | PARAMETER | CONDITIONS | MIN | TYP | MAX | UNITS | |
|--|---|--|-----|-----------|-----------|------------------------------|---|
| $\Delta I_{\text{OS}}/\Delta T$ (Note 8) | Input Offset Current Drift | $V_S = 3\text{V}$ | ● | ± 30 | ± 150 | $\mu\text{A}/^\circ\text{C}$ | |
| | | $V_S = 5\text{V}$ | ● | ± 30 | ± 150 | $\mu\text{A}/^\circ\text{C}$ | |
| | | $V_S = 10\text{V}$ | ● | ± 30 | ± 150 | $\mu\text{A}/^\circ\text{C}$ | |
| R_{IN} | Input Resistance | Common Mode | | 50 | | $\text{M}\Omega$ | |
| | | Differential Mode | | 40 | | $\text{k}\Omega$ | |
| C_{IN} | Input Capacitance | Differential Mode | | 2 | | pF | |
| e_n (Note 7) | Differential Input Noise Voltage Differential Input Noise Voltage Density | 0.1Hz to 10Hz | | 2.5 | | $\mu\text{V}_{\text{P-P}}$ | |
| | | $f = 100\text{kHz}$ (Not Including $R_{\text{I}}/R_{\text{F}}$) | | 2.9 | | $\text{nV}/\sqrt{\text{Hz}}$ | |
| e_{nvocm} | Common Mode Noise Voltage Density | $f = 100\text{kHz}$ | | 20 | | $\text{nV}/\sqrt{\text{Hz}}$ | |
| i_n | Input Noise Current Density | $f = 100\text{kHz}$ (Not Including $R_{\text{I}}/R_{\text{F}}$) | | 0.55 | | $\text{pA}/\sqrt{\text{Hz}}$ | |
| V_{ICMR} (Note 9) | Input Common Mode Range | $V_S = 3\text{V}$ | ● | 0 | 1.8 | V | |
| | | $V_S = 5\text{V}$ | ● | 0 | 3.8 | V | |
| | | $V_S = 10\text{V}$ | ● | 0 | 8.8 | V | |
| CMRRI (Note 7) | Input Common Mode Rejection Ratio (Input Referred) $\Delta V_{\text{ICM}}/\Delta V_{\text{OSDIFF}}$ | $V_S = 3\text{V}$, V_{ICM} from 0V to 1.8V | ● | 78 | 110 | dB | |
| | | $V_S = 5\text{V}$, V_{ICM} from 0V to 3.8V | ● | 85 | 115 | dB | |
| | | $V_S = 10\text{V}$, V_{ICM} from 0V to 8.8V | ● | 90 | 120 | dB | |
| CMRRI0 (Note 7) | Output Common Mode Rejection Ratio (Input Referred) $\Delta V_{\text{OCM}}/\Delta V_{\text{OSDIFF}}$ | $V_S = 3\text{V}$, V_{OCM} from 0.5V to 2.5V | ● | 70 | 120 | dB | |
| | | $V_S = 5\text{V}$, V_{OCM} from 0.5V to 4.5V | ● | 80 | 120 | dB | |
| | | $V_S = 10\text{V}$, V_{OCM} from 0.5V to 9.5V | ● | 90 | 120 | dB | |
| V_{OUT} | Output Voltage, High, Either Output Pin | $I_{\text{L}} = 0\text{mA}$, $V_S = 3\text{V}$ | ● | 2.8 | 2.88 | V | |
| | | $I_{\text{L}} = -5\text{mA}$, $V_S = 3\text{V}$ | ● | 2.75 | 2.83 | V | |
| | | $I_{\text{L}} = 0\text{mA}$, $V_S = 5\text{V}$ | ● | 4.8 | 4.88 | V | |
| | | $I_{\text{L}} = -5\text{mA}$, $V_S = 5\text{V}$ | ● | 4.75 | 4.83 | V | |
| | Output Voltage, Low, Either Output Pin | $I_{\text{L}} = 0\text{mA}$, $V_S = 3\text{V}$ | ● | | 0.1 | 0.15 | V |
| | | $I_{\text{L}} = 5\text{mA}$, $V_S = 3\text{V}$ | ● | | 0.15 | 0.25 | V |
| | | $I_{\text{L}} = 0\text{mA}$, $V_S = 5\text{V}$ | ● | | 0.1 | 0.15 | V |
| | | $I_{\text{L}} = 5\text{mA}$, $V_S = 5\text{V}$ | ● | | 0.15 | 0.25 | V |
| I_{SC} | Output Short-Circuit Current, Either Output Pin, Sinking | $V_S = 3\text{V}$, Output Shorted to 1.5V | ● | 12 | 25 | mA | |
| | | $V_S = 5\text{V}$, Output Shorted to 2.5V | ● | 13 | 35 | mA | |
| | Output Short-Circuit Current, Either Output Pin, Sourcing | $V_S = 3\text{V}$, Output Shorted to 1.5V | ● | 25 | 55 | mA | |
| | | $V_S = 5\text{V}$, Output Shorted to 2.5V | ● | 27 | 75 | mA | |
| GBW | Gain-Bandwidth Product | $f_{\text{TEST}} = 200\text{kHz}$ | ● | 390 | 500 | MHz | |
| | | | | 230 | | MHz | |
| $f_{-3\text{dB}}$ | -3dB Bandwidth | $R_{\text{I}} = R_{\text{F}} = 1\text{k}$ | | 35 | | MHz | |
| SR | Slew Rate | Differential $18\text{V}_{\text{P-P}}$ Output | | 75 | | $\text{V}/\mu\text{s}$ | |
| FPBW (Note 11) | Full Power Bandwidth | $10\text{V}_{\text{P-P}}$ Output | | 2.4 | | MHz | |
| | | $18\text{V}_{\text{P-P}}$ Output | | 1.3 | | MHz | |
| $\text{HD2}/\text{HD3}$ | 2nd/3rd Order Harmonic Distortion Single-Ended Input | $f = 1\text{kHz}$, $V_{\text{OUT}} = 18\text{V}_{\text{P-P}}$ | | -123/-128 | | dBc | |
| | | $f = 10\text{kHz}$, $V_{\text{OUT}} = 18\text{V}_{\text{P-P}}$ | | -120/-108 | | dBc | |
| | | $f = 100\text{kHz}$, $V_{\text{OUT}} = 18\text{V}_{\text{P-P}}$ | | -92/-85 | | dBc | |

LTC6363 Family

ELECTRICAL CHARACTERISTICS LTC6363-0.5 Only. The ● denotes the specifications which apply over the full operating temperature range, otherwise specifications and typical values are at $T_A = 25^\circ\text{C}$. $V^+ = 10\text{V}$, $V^- = 0\text{V}$, $V_{\text{CM}} = V_{\text{OCM}} = V_{\text{ICM}} = 5\text{V}$, $V_{\text{SHDN}} = \text{open}$. V_S is defined as $(V^+ - V^-)$. V_{OUTCM} is defined as $(V_{+\text{OUT}} + V_{-\text{OUT}})/2$. V_{ICM} is defined as $(V_{+\text{IN}} + V_{-\text{IN}})/2$. V_{OUTDIFF} is defined as $(V_{+\text{OUT}} - V_{-\text{OUT}})$.

| SYMBOL | PARAMETER | CONDITIONS | MIN | TYP | MAX | UNITS |
|---|--|---|-----|-------------|------------------------------|--------------------------------|
| t_S | Settling Time to a 8V _{p-p} Output Step | 0.1% | | 290 | | ns |
| | | 0.01% | | 330 | | ns |
| | | 0.0015% (16-Bit) | | 370 | | ns |
| | | 4ppm (18-Bit) | | 720 | | ns |
| V_{OSDIFF} (Note 7) | Differential Offset Voltage | $V_S = 3\text{V}$ $V_{\text{ICM}} = 1.5\text{V}$ | ● | 25 | 125 | μV μV |
| | | $V_S = 5\text{V}$ $V_{\text{ICM}} = 2.5\text{V}$ | ● | 25 | 125 | μV μV |
| | | $V_S = 10\text{V}$ $V_{\text{ICM}} = 5\text{V}$ | ● | 25 | 125 | μV μV |
| $\Delta V_{\text{OSDIFF}}/\Delta T$ (Notes 7, 8) | Differential Offset Voltage Drift | $V_S = 3\text{V}$ | ● | 0.45 | 1.25 | $\mu\text{V}/^\circ\text{C}$ |
| | | $V_S = 5\text{V}$ | ● | 0.45 | 1.25 | $\mu\text{V}/^\circ\text{C}$ |
| | | $V_S = 10\text{V}$ | ● | 0.45 | 1.25 | $\mu\text{V}/^\circ\text{C}$ |
| G_{DIFF} | Differential Gain | $V_{\text{OUT}} = 16V_{\text{P-P}}$ | | 0.5 | | V/V |
| | | Differential Gain Error | ● | ± 0.002 | ± 0.0045 ± 0.0075 | % % |
| | | Differential Gain Nonlinearity | | 0.5 | | ppm |
| | | Differential Gain Drift vs Temperature (Note 8) | ● | ± 0.2 | ± 0.5 | ppm/ $^\circ\text{C}$ |
| e_n (Note 7) | Differential Input Referred Noise Voltage Density | $f = 100\text{kHz}$, (Includes Internal Resistor Noise) | | 15.1 | | $\text{nV}/\sqrt{\text{Hz}}$ |
| e_{nvocm} | Common Mode Noise Voltage Density | $f = 100\text{kHz}$ | | 20 | | $\text{nV}/\sqrt{\text{Hz}}$ |
| R_{IN} | Input Resistance | Common Mode | | 1050 | | Ω |
| | | Differential Mode | | 2800 | | Ω |
| C_{IN} | Input Capacitance | Differential Mode | | 2.5 | | pF |
| | | Common Mode | | 13.5 | | pF |
| V_{ICMR} (Note 9) | Input Common Mode Range | $V_S = 3\text{V}$, $V_{\text{OCM}} = 1.5\text{V}$ | ● | -3 | 2.4 | V |
| | | $V_S = 5\text{V}$, $V_{\text{OCM}} = 2.5\text{V}$ | ● | -5 | 6.4 | V |
| | | $V_S = 10\text{V}$, $V_{\text{OCM}} = 5\text{V}$ | ● | -10 | 16.4 | V |
| CMRRI (Note 7) | Input Common Mode Rejection Ratio (Input Referred) $\Delta V_{\text{ICM}}/\Delta V_{\text{OSDIFF}}$ | $V_S = 3\text{V}$, V_{ICM} from -3V to 2.4V | ● | 90 80 | 106 | dB dB |
| | | $V_S = 5\text{V}$, V_{ICM} from -5V to 6.4V | ● | 94 85 | 106 | dB dB |
| | | $V_S = 10\text{V}$, V_{ICM} from -10V to 16.4V | ● | 94 85 | 106 | dB dB |
| | | | ● | 85 | | dB |
| CMRRIO (Note 7) | Output Common Mode Rejection Ratio (Input Referred) $\Delta V_{\text{OCM}}/\Delta V_{\text{OSDIFF}}$ | $V_S = 3\text{V}$, V_{OCM} from 0.5V to 2.5V | ● | 85 80 | 100 | dB dB |
| | | $V_S = 5\text{V}$, V_{OCM} from 0.5V to 4.5V | ● | 90 85 | 106 | dB dB |
| | | $V_S = 10\text{V}$, V_{OCM} from 0.5V to 9.5V | ● | 90 85 | 106 | dB dB |
| | | | ● | 85 | | dB |

ELECTRICAL CHARACTERISTICS LTC6363-0.5 Only. The ● denotes the specifications which apply over the full operating temperature range, otherwise specifications and typical values are at $T_A = 25^\circ\text{C}$. $V^+ = 10\text{V}$, $V^- = 0\text{V}$, $V_{\text{CM}} = V_{\text{OCM}} = V_{\text{ICM}} = 5\text{V}$, $V_{\text{SHDN}} = \text{open}$. V_S is defined as $(V^+ - V^-)$. V_{OUTCM} is defined as $(V_{+\text{OUT}} + V_{-\text{OUT}})/2$. V_{ICM} is defined as $(V_{+\text{IN}} + V_{-\text{IN}})/2$. V_{OUTDIFF} is defined as $(V_{+\text{OUT}} - V_{-\text{OUT}})$.

| SYMBOL | PARAMETER | CONDITIONS | MIN | TYP | MAX | UNITS | |
|-------------------|---|--|-----|-----------|------|------------------|---|
| V_{OUT} | Output Voltage, High, Either Output Pin | $I_L = 0\text{mA}$, $V_S = 3\text{V}$ | ● | 2.77 | 2.88 | V | |
| | | $I_L = -5\text{mA}$, $V_S = 3\text{V}$ | ● | 2.74 | 2.83 | V | |
| | | $I_L = 0\text{mA}$, $V_S = 5\text{V}$ | ● | 4.75 | 4.86 | V | |
| | | $I_L = -5\text{mA}$, $V_S = 5\text{V}$ | ● | 4.72 | 4.81 | V | |
| | Output Voltage, Low, Either Output Pin | $I_L = 0\text{mA}$, $V_S = 10\text{V}$ | ● | 9.72 | 9.83 | V | |
| | | $I_L = -5\text{mA}$, $V_S = 10\text{V}$ | ● | 9.64 | 9.78 | V | |
| | | $I_L = 0\text{mA}$, $V_S = 3\text{V}$ | ● | | 0.11 | 0.19 | V |
| | | $I_L = 5\text{mA}$, $V_S = 3\text{V}$ | ● | | 0.19 | 0.27 | V |
| I_{SC} | Output Short-Circuit Current, Either Output Pin, Sinking | $V_S = 3\text{V}$, Output Shorted to 1.5V | ● | 12 | 25 | mA | |
| | | $V_S = 5\text{V}$, Output Shorted to 2.5V | ● | 13 | 35 | mA | |
| | | $V_S = 10\text{V}$, Output Shorted to 5V | ● | 14 | 40 | mA | |
| | Output Short-Circuit Current, Either Output Pin, Sourcing | $V_S = 3\text{V}$, Output Shorted to 1.5V | ● | 25 | 55 | mA | |
| | $V_S = 5\text{V}$, Output Shorted to 2.5V | ● | 27 | 75 | mA | | |
| | $V_S = 10\text{V}$, Output Shorted to 5V | ● | 30 | 90 | mA | | |
| $f_{-3\text{dB}}$ | -3dB Bandwidth | | | 35 | | MHz | |
| SR | Slew Rate | Differential 18V _{P-P} Output | | 44 | | V/ μs | |
| FPBW (Note 11) | Full Power Bandwidth | 10V _{P-P} Output | | 1.4 | | MHz | |
| | | 18V _{P-P} Output | | 0.8 | | MHz | |
| HD2/HD3 | 2nd/3rd order Harmonic Distortion Single-Ended Input | $f = 1\text{kHz}$, $V_{\text{OUT}} = 10\text{V}_{\text{P-P}}$ | | -125/-122 | | dBc | |
| | | $f = 10\text{kHz}$, $V_{\text{OUT}} = 10\text{V}_{\text{P-P}}$ | | -108/-111 | | dBc | |
| | | $f = 100\text{kHz}$, $V_{\text{OUT}} = 10\text{V}_{\text{P-P}}$ | | -87/-78 | | dBc | |
| t_s | Settling Time to a 8V _{P-P} Output Step | 0.1% | | 420 | | ns | |
| | | 0.01% | | 440 | | ns | |
| | | 0.0015% (16-Bit) | | 550 | | ns | |
| | | 4ppm (18-Bit) | | 740 | | ns | |

LTC6363-1 Only. The ● denotes the specifications which apply over the full operating temperature range, otherwise specifications and typical values are at $T_A = 25^\circ\text{C}$. $V^+ = 10\text{V}$, $V^- = 0\text{V}$, $V_{\text{CM}} = V_{\text{OCM}} = V_{\text{ICM}} = 5\text{V}$, $V_{\text{SHDN}} = \text{open}$. V_S is defined as $(V^+ - V^-)$. V_{OUTCM} is defined as $(V_{+\text{OUT}} + V_{-\text{OUT}})/2$. V_{ICM} is defined as $(V_{+\text{IN}} + V_{-\text{IN}})/2$. V_{OUTDIFF} is defined as $(V_{+\text{OUT}} - V_{-\text{OUT}})$.

| SYMBOL | PARAMETER | CONDITIONS | MIN | TYP | MAX | UNITS |
|---|---|---|-----------|-------------|-----------------------|------------------------------|
| V_{OSDIFF} (Note 7) | Differential Offset Voltage | $V_S = 3\text{V}$ $V_{\text{ICM}} = 1.5\text{V}$ | ● | 25 | 125 | μV |
| | | $V_S = 5\text{V}$ $V_{\text{ICM}} = 2.5\text{V}$ | ● | 25 | 125 | μV |
| | | $V_S = 10\text{V}$ $V_{\text{ICM}} = 5\text{V}$ | ● | 25 | 125 | μV |
| $\Delta V_{\text{OSDIFF}}/\Delta T$ (Notes 7, 8) | Differential Offset Voltage Drift | $V_S = 3\text{V}$ | ● | 0.45 | 1.25 | $\mu\text{V}/^\circ\text{C}$ |
| | | $V_S = 5\text{V}$ | ● | 0.45 | 1.25 | $\mu\text{V}/^\circ\text{C}$ |
| | | $V_S = 10\text{V}$ | ● | 0.45 | 1.25 | $\mu\text{V}/^\circ\text{C}$ |
| G_{DIFF} | Differential Gain | $V_{\text{OUT}} = 16\text{V}_{\text{P-P}}$ | | 1 | | V/V |
| | | Differential Gain Error | ● | ± 0.002 | ± 0.0045 | % |
| | | | | | ± 0.0075 | % |
| | Differential Gain Nonlinearity | | | 0.5 | | ppm |
| | Differential Gain Drift vs Temperature (Note 8) | ● | ± 0.2 | ± 0.5 | ppm/ $^\circ\text{C}$ | |

LTC6363 Family

ELECTRICAL CHARACTERISTICS LTC6363-1 Only. The ● denotes the specifications which apply over the full operating temperature range, otherwise specifications and typical values are at $T_A = 25^\circ\text{C}$. $V^+ = 10\text{V}$, $V^- = 0\text{V}$, $V_{\text{CM}} = V_{\text{OCM}} = V_{\text{ICM}} = 5\text{V}$, $V_{\text{SHDN}} = \text{open}$. V_S is defined as $(V^+ - V^-)$. V_{OUTCM} is defined as $(V_{+OUT} + V_{-OUT})/2$. V_{ICM} is defined as $(V_{+IN} + V_{-IN})/2$. V_{OUTDIFF} is defined as $(V_{+OUT} - V_{-OUT})$.

| SYMBOL | PARAMETER | CONDITIONS | MIN | TYP | MAX | UNITS | |
|----------------------------|--|---|-------------|--------------------|--------------------|------------------------------|---|
| e_n (Note 7) | Differential Input Referred Noise Voltage Density | $f = 100\text{kHz}$, (Includes Internal Resistor Noise) | | 10.5 | | $\text{nV}/\sqrt{\text{Hz}}$ | |
| e_{nvocm} | Common Mode Noise Voltage Density | $f = 100\text{kHz}$ | | 20 | | $\text{nV}/\sqrt{\text{Hz}}$ | |
| R_{IN} | Input Resistance | Common Mode Differential Mode | | 1050 2100 | | Ω Ω | |
| C_{IN} | Input Capacitance | Differential Mode Common Mode | | 1.5 13.5 | | pF pF | |
| V_{ICMR} (Note 9) | Input Common Mode Range | $V_S = 3\text{V}$, $V_{\text{OCM}} = 1.5\text{V}$ $V_S = 5\text{V}$, $V_{\text{OCM}} = 2.5\text{V}$ $V_S = 10\text{V}$, $V_{\text{OCM}} = 5\text{V}$ | ● ● ● | -1.5 -2.5 -5 | 2.1 5.1 12.6 | V V V | |
| CMRRI (Note 7) | Input Common Mode Rejection Ratio (Input Referred) $\Delta V_{\text{ICM}}/\Delta V_{\text{OSDIFF}}$ | $V_S = 3\text{V}$, V_{ICM} from -1.5V to 2.1V | ● | 90 80 | 100 | dB dB | |
| | | $V_S = 5\text{V}$, V_{ICM} from -2.5V to 5.1V | ● | 94 85 | 100 | dB dB | |
| | | $V_S = 10\text{V}$, V_{ICM} from -5V to 12.6V | ● | 94 85 | 100 | dB dB | |
| CMRRIO (Note 7) | Output Common Mode Rejection Ratio (Input Referred) $\Delta V_{\text{OCM}}/\Delta V_{\text{OSDIFF}}$ | $V_S = 3\text{V}$, V_{OCM} from 0.5V to 2.5V | ● | 90 85 | 100 | dB dB | |
| | | $V_S = 5\text{V}$, V_{OCM} from 0.5V to 4.5V | ● | 90 85 | 100 | dB dB | |
| | | $V_S = 10\text{V}$, V_{OCM} from 0.5V to 9.5V | ● | 94 90 | 100 | dB dB | |
| V_{OUT} | Output Voltage, High, Either Output Pin | $I_L = 0\text{mA}$, $V_S = 3\text{V}$ | ● | 2.78 | 2.89 | V | |
| | | $I_L = -5\text{mA}$, $V_S = 3\text{V}$ | ● | 2.74 | 2.85 | V | |
| | | $I_L = 0\text{mA}$, $V_S = 5\text{V}$ | ● | 4.77 | 4.87 | V | |
| | | $I_L = -5\text{mA}$, $V_S = 5\text{V}$ | ● | 4.73 | 4.83 | V | |
| | Output Voltage, Low, Either Output Pin | $I_L = 0\text{mA}$, $V_S = 3\text{V}$ | ● | | 0.1 | 0.18 | V |
| | | $I_L = 5\text{mA}$, $V_S = 3\text{V}$ | ● | | 0.17 | 0.26 | V |
| | | $I_L = 0\text{mA}$, $V_S = 5\text{V}$ | ● | | 0.11 | 0.19 | V |
| | | $I_L = 5\text{mA}$, $V_S = 5\text{V}$ | ● | | 0.15 | 0.27 | V |
| I_{SC} | Output Short-Circuit Current, Either Output Pin, Sinking | $V_S = 3\text{V}$, Output Shorted to 1.5V | ● | 12 | 25 | mA | |
| | | $V_S = 5\text{V}$, Output Shorted to 2.5V | ● | 13 | 35 | mA | |
| | | $V_S = 10\text{V}$, Output Shorted to 5V | ● | 14 | 40 | mA | |
| | Output Short-Circuit Current, Either Output Pin, Sourcing | $V_S = 3\text{V}$, Output Shorted to 1.5V | ● | 25 | 55 | mA | |
| | | $V_S = 5\text{V}$, Output Shorted to 2.5V | ● | 27 | 75 | mA | |
| | | $V_S = 10\text{V}$, Output Shorted to 5V | ● | 30 | 90 | mA | |
| $f_{-3\text{dB}}$ | -3dB Bandwidth | | | 25 | | MHz | |
| SR | Slew Rate | Differential $18\text{V}_{\text{P-P}}$ Output | | 45 | | $\text{V}/\mu\text{s}$ | |
| FPBW (Note 11) | Full Power Bandwidth | $10\text{V}_{\text{P-P}}$ Output | | 1.4 | | MHz | |
| | | $18\text{V}_{\text{P-P}}$ Output | | 0.8 | | MHz | |
| HD2/HD3 | 2nd/3rd order Harmonic Distortion Single-Ended Input | $f = 1\text{kHz}$, $V_{\text{OUT}} = 10\text{V}_{\text{P-P}}$ | | -122/-125 | | dBc | |
| | | $f = 10\text{kHz}$, $V_{\text{OUT}} = 10\text{V}_{\text{P-P}}$ | | -114/-105 | | dBc | |
| | | $f = 100\text{kHz}$, $V_{\text{OUT}} = 10\text{V}_{\text{P-P}}$ | | -90/-82 | | dBc | |

ELECTRICAL CHARACTERISTICS LTC6363-2 Only. The ● denotes the specifications which apply over the full operating temperature range, otherwise specifications and typical values are at $T_A = 25^\circ\text{C}$. $V^+ = 10\text{V}$, $V^- = 0\text{V}$, $V_{\text{CM}} = V_{\text{OCM}} = V_{\text{ICM}} = 5\text{V}$, $V_{\text{SHDN}} = \text{open}$. V_S is defined as $(V^+ - V^-)$. V_{OUTCM} is defined as $(V_{+\text{OUT}} + V_{-\text{OUT}})/2$. V_{ICM} is defined as $(V_{+\text{IN}} + V_{-\text{IN}})/2$. V_{OUTDIFF} is defined as $(V_{+\text{OUT}} - V_{-\text{OUT}})$.

| SYMBOL | PARAMETER | CONDITIONS | MIN | TYP | MAX | UNITS |
|---|--|---|-----|-------------|------------------------------|--------------------------------|
| t_S | Settling Time to a $8V_{\text{P-P}}$ Output Step | 0.1% | | 420 | | ns |
| | | 0.01% | | 470 | | ns |
| | | 0.0015% (16-Bit) | | 500 | | ns |
| | | 4ppm (18-Bit) | | 810 | | ns |
| V_{OSDIFF} (Note 7) | Differential Offset Voltage | $V_S = 3\text{V}$ $V_{\text{ICM}} = 1.5\text{V}$ | ● | 25 | 125 | μV μV |
| | | $V_S = 5\text{V}$ $V_{\text{ICM}} = 2.5\text{V}$ | ● | 25 | 125 | μV μV |
| | | $V_S = 10\text{V}$ $V_{\text{ICM}} = 5\text{V}$ | ● | 25 | 125 | μV μV |
| $\Delta V_{\text{OSDIFF}}/\Delta T$ (Notes 7, 8) | Differential Offset Voltage Drift | $V_S = 3\text{V}$ | ● | 0.45 | 1.25 | $\mu\text{V}/^\circ\text{C}$ |
| | | $V_S = 5\text{V}$ | ● | 0.45 | 1.25 | $\mu\text{V}/^\circ\text{C}$ |
| | | $V_S = 10\text{V}$ | ● | 0.45 | 1.25 | $\mu\text{V}/^\circ\text{C}$ |
| G_{DIFF} | Differential Gain | $V_{\text{OUT}} = 16V_{\text{P-P}}$ | | 2 | | V/V |
| | | Differential Gain Error | ● | ± 0.002 | ± 0.0045 ± 0.0075 | % % |
| | | Differential Gain Nonlinearity | | 0.5 | | ppm |
| | | Differential Gain Drift vs Temperature (Note 8) | ● | ± 0.2 | ± 0.5 | ppm/ $^\circ\text{C}$ |
| e_n (Note 7) | Differential Input Referred Noise Voltage Density | $f = 100\text{kHz}$, (Includes Internal Resistor Noise) | | 7.55 | | $\text{nV}/\sqrt{\text{Hz}}$ |
| e_{nvocm} | Common Mode Noise Voltage Density | $f = 100\text{kHz}$ | | 20 | | $\text{nV}/\sqrt{\text{Hz}}$ |
| R_{IN} | Input Resistance | Common Mode | | 1050 | | Ω |
| | | Differential Mode | | 1400 | | Ω |
| C_{IN} | Input Capacitance | Differential Mode | | 0.6 | | pF |
| | | Common Mode | | 13.5 | | pF |
| V_{ICMR} (Note 9) | Input Common Mode Range | $V_S = 3\text{V}$, $V_{\text{OCM}} = 1.5\text{V}$ | ● | -0.75 | 1.95 | V |
| | | $V_S = 5\text{V}$, $V_{\text{OCM}} = 2.5\text{V}$ | ● | -1.25 | 4.45 | V |
| | | $V_S = 10\text{V}$, $V_{\text{OCM}} = 5\text{V}$ | ● | -2.5 | 10.7 | V |
| CMRRI (Note 7) | Input Common Mode Rejection Ratio (Input Referred) $\Delta V_{\text{ICM}}/\Delta V_{\text{OSDIFF}}$ | $V_S = 3\text{V}$, V_{ICM} from -0.75V to 1.95V | ● | 90 80 | 106 | dB dB |
| | | $V_S = 5\text{V}$, V_{ICM} from -1.25V to 4.45V | ● | 94 85 | 112 | dB dB |
| | | $V_S = 10\text{V}$, V_{ICM} from -2.5V to 10.7V | ● | 94 85 | 112 | dB dB |
| CMRRI0 (Note 7) | Output Common Mode Rejection Ratio (Input Referred) $\Delta V_{\text{OCM}}/\Delta V_{\text{OSDIFF}}$ | $V_S = 3\text{V}$, V_{OCM} from 0.5V to 2.5V | ● | 90 85 | 106 | dB dB |
| | | $V_S = 5\text{V}$, V_{OCM} from 0.5V to 4.5V | ● | 94 90 | 106 | dB dB |
| | | $V_S = 10\text{V}$, V_{OCM} from 0.5V to 9.5V | ● | 94 90 | 106 | dB dB |

LTC6363 Family

ELECTRICAL CHARACTERISTICS LTC6363-2 Only. The ● denotes the specifications which apply over the full operating temperature range, otherwise specifications and typical values are at $T_A = 25^\circ\text{C}$. $V^+ = 10\text{V}$, $V^- = 0\text{V}$, $V_{\text{CM}} = V_{\text{OCM}} = V_{\text{ICM}} = 5\text{V}$, $V_{\text{SHDN}} = \text{open}$. V_S is defined as $(V^+ - V^-)$. V_{OUTCM} is defined as $(V_{+\text{OUT}} + V_{-\text{OUT}})/2$. V_{ICM} is defined as $(V_{+\text{IN}} + V_{-\text{IN}})/2$. V_{OUTDIFF} is defined as $(V_{+\text{OUT}} - V_{-\text{OUT}})$.

| SYMBOL | PARAMETER | CONDITIONS | MIN | TYP | MAX | UNITS | | |
|---|---|--|---|-----------|------|------------------|------|---|
| V_{OUT} | Output Voltage, High, Either Output Pin | $I_L = 0\text{mA}$, $V_S = 3\text{V}$ | ● | 2.79 | 2.89 | V | | |
| | | $I_L = -5\text{mA}$, $V_S = 3\text{V}$ | ● | 2.74 | 2.84 | V | | |
| | | $I_L = 0\text{mA}$, $V_S = 5\text{V}$ | ● | 4.78 | 4.88 | V | | |
| | Output Voltage, Low, Either Output Pin | $I_L = 0\text{mA}$, $V_S = 3\text{V}$ | $I_L = -5\text{mA}$, $V_S = 3\text{V}$ | ● | | 0.09 | 0.18 | V |
| | | | $I_L = 5\text{mA}$, $V_S = 3\text{V}$ | ● | | 0.17 | 0.26 | V |
| | | | $I_L = 0\text{mA}$, $V_S = 5\text{V}$ | ● | | 0.1 | 0.17 | V |
| $I_L = 0\text{mA}$, $V_S = 10\text{V}$ | | $I_L = -5\text{mA}$, $V_S = 10\text{V}$ | ● | 9.76 | 9.85 | V | | |
| | | $I_L = 5\text{mA}$, $V_S = 10\text{V}$ | ● | 9.67 | 9.81 | V | | |
| | | $I_L = 5\text{mA}$, $V_S = 10\text{V}$ | ● | | 0.13 | 0.25 | V | |
| I_{SC} | Output Short-Circuit Current, Either Output Pin, Sinking | $V_S = 3\text{V}$, Output Shorted to 1.5V | ● | 12 | 25 | mA | | |
| | | $V_S = 5\text{V}$, Output Shorted to 2.5V | ● | 13 | 35 | mA | | |
| | | $V_S = 10\text{V}$, Output Shorted to 5V | ● | 14 | 40 | mA | | |
| | Output Short-Circuit Current, Either Output Pin, Sourcing | $V_S = 3\text{V}$, Output Shorted to 1.5V | ● | 25 | 55 | mA | | |
| | | $V_S = 5\text{V}$, Output Shorted to 2.5V | ● | 27 | 75 | mA | | |
| | | $V_S = 10\text{V}$, Output Shorted to 5V | ● | 30 | 90 | mA | | |
| $f_{-3\text{dB}}$ | -3dB Bandwidth | | | 15 | | MHz | | |
| SR | Slew Rate | Differential 18V _{P-P} Output | | 46 | | V/ μs | | |
| FPBW (Note 11) | Full Power Bandwidth | 10V _{P-P} Output | | 1.4 | | MHz | | |
| | | 18V _{P-P} Output | | 0.8 | | MHz | | |
| HD2/HD3 | 2nd/3rd order Harmonic Distortion Single-Ended Input | $f = 1\text{kHz}$, $V_{\text{OUT}} = 10\text{V}_{\text{P-P}}$ | | -116/-123 | | dBc | | |
| | | $f = 10\text{kHz}$, $V_{\text{OUT}} = 10\text{V}_{\text{P-P}}$ | | -114/-103 | | dBc | | |
| | | $f = 100\text{kHz}$, $V_{\text{OUT}} = 10\text{V}_{\text{P-P}}$ | | -92/-81 | | dBc | | |
| t_S | Settling Time to a 8V _{P-P} Output Step | 0.1% | | 430 | | ns | | |
| | | 0.01% | | 470 | | ns | | |
| | | 0.0015% (16-Bit) | | 480 | | ns | | |
| | | 4ppm (18-Bit) | | 830 | | ns | | |

ELECTRICAL CHARACTERISTICS

Note 1: Stresses beyond those listed under Absolute Maximum Ratings may cause permanent damage to the device. Exposure to any Absolute Maximum Rating condition for extended periods may affect device reliability and lifetime.

Note 2: Absolute Maximum input voltage for the LTC6363-0.5/LTC6363-1/LTC6363-2 is conservatively calculated assuming the worst case output voltage. For details on this calculation refer to the Input Pin Protection section.

Note 3: In the LTC6363, if input pins (+IN, -IN, V_{OCM} and \overline{SHDN}) must exceed either supply voltage, the input current must be limited to less than 10mA. Additionally, if the differential input voltage exceeds 1.4V, the input current must be limited to less than 10mA. In the LTC6363-0.5/LTC6363-1/LTC6363-2 versions, the same limits apply to V_{OCM} , \overline{SHDN} and the internal amplifier's inputs. Please see the Input Common Mode Voltage Range and Input Pin Protection sections for additional details on calculating the input voltages on the internal amplifier's inputs while in a feedback configuration.

Note 4: A heat sink may be required to keep the junction temperature below the absolute maximum rating when the output is shorted indefinitely.

Note 5: The LTC6363I and LTC6363I-0.5/LTC6363I-1/LTC6363I-2 are guaranteed functional over the operating temperature range of -40°C to 85°C. The LTC6363H and LTC6363H-0.5/LTC6363H-1/LTC6363H-2 are guaranteed functional over the operating temperature range of -40°C to 125°C.

Note 6: The LTC6363I and LTC6363I-0.5/LTC6363I-1/LTC6363I-2 are guaranteed to meet specified performance from -40°C to 85°C. The LTC6363H and LTC6363H-0.5/LTC6363H-1/LTC6363H-2 are guaranteed to meet specified performance from -40°C to 125°C.

Note 7: Differential offset voltage, differential offset voltage drift, and PSRR are referred to the internal amplifier's input (summing junction) to allow for direct comparison of gain blocks with discrete amplifiers. CMRR1, CMRRIO and voltage noise are referenced to the LTC6363-0.5, LTC6363-1 and LTC6363-2's input pins. Refer to the Test Circuits section for more details.

Note 8: Maximum differential offset voltage drift, input offset current drift and differential gain drift are determined by sampling typical parts. Drift is not guaranteed by test or QA sampled at this value.

Note 9: Input common mode range is tested by verifying that at the limits stated in the Electrical Characteristics table, the differential offset (V_{OSDIFF}) and common mode offset (V_{OSCM}) have not deviated by more than $\pm 200\mu\text{V}$ and $\pm 10\text{mV}$ respectively compared to the $V_{ICM} = 5\text{V}$ (at $V_S = 10\text{V}$), $V_{ICM} = 2.5\text{V}$ (at $V_S = 5\text{V}$) and $V_{ICM} = 1.5\text{V}$ (at $V_S = 3\text{V}$) cases.

Output common mode range is tested by verifying that at the limits stated in the Electrical Characteristics table, the common mode offset (V_{OSCM}) has not deviated by more than $\pm 15\text{mV}$ compared to the $V_{OCM} = 5\text{V}$ (at $V_S = 10\text{V}$), $V_{OCM} = 2.5\text{V}$ (at $V_S = 5\text{V}$) and $V_{OCM} = 1.5\text{V}$ (at $V_S = 3\text{V}$) cases.

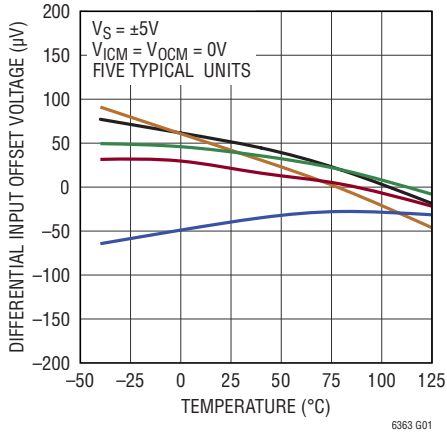
Note 10: Input bias current is defined as the average of the input currents flowing into the input pins (-IN and +IN). Input Offset current is defined as the difference between the input bias currents ($I_{OS} = I_B^+ - I_B^-$).

Note 11: Full power bandwidth is calculated from the slew rate.

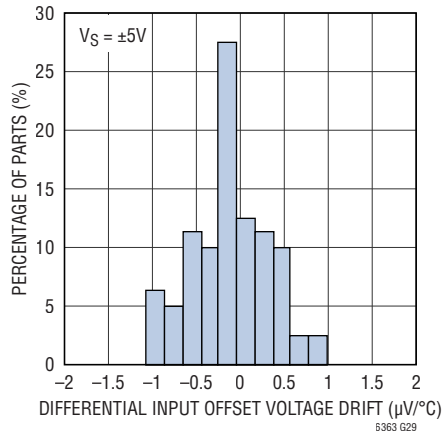
$$\text{FPBW} = \text{SR} / (2 \cdot \pi \cdot V_P)$$

TYPICAL PERFORMANCE CHARACTERISTICS Applicable to all parts in the LTC6363 family.

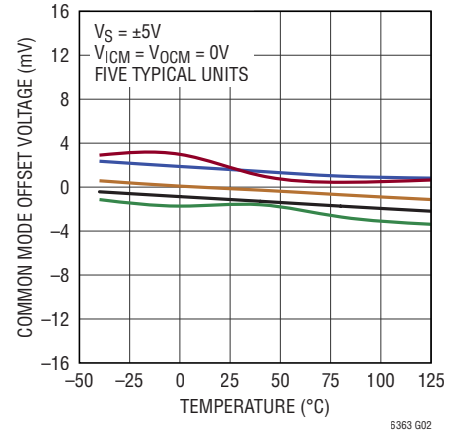
Differential Input Offset Voltage vs Temperature



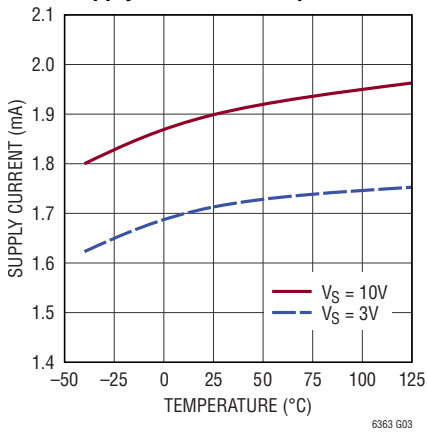
Typical Distribution of Differential Input Offset Voltage Drift



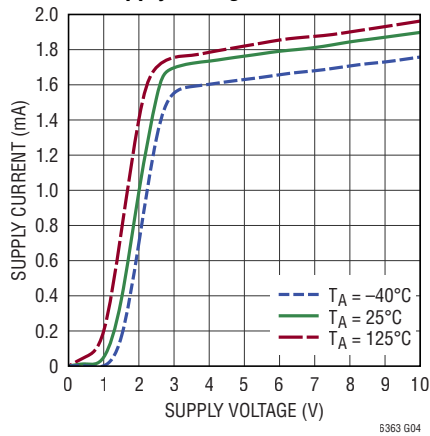
Common Mode Offset Voltage vs Temperature



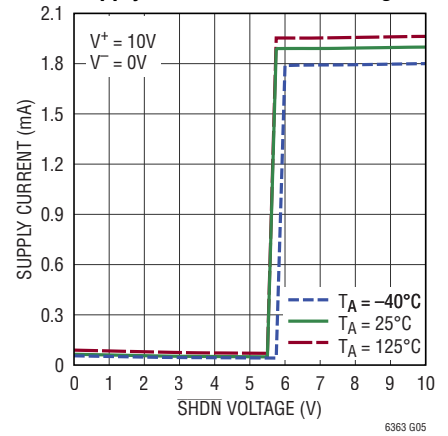
Supply Current vs Temperature



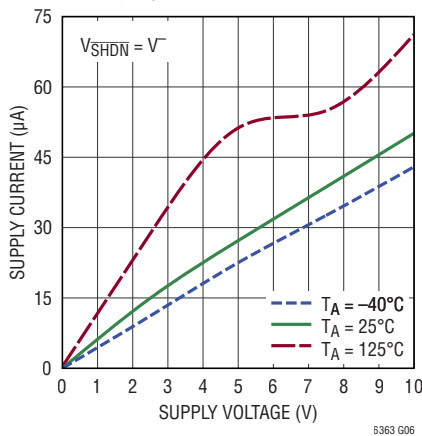
Supply Current vs Supply Voltage



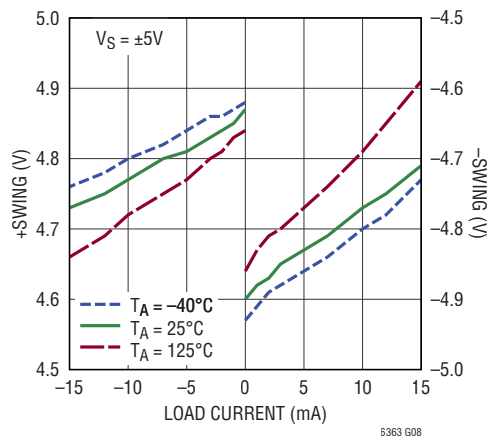
Supply Current vs SHDN Voltage



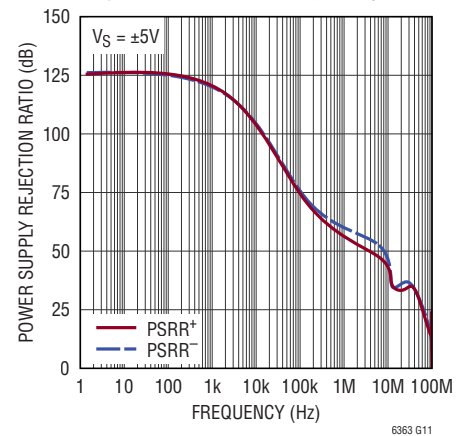
Shutdown Supply Current vs Supply Voltage



Output Voltage Swing vs Load Current

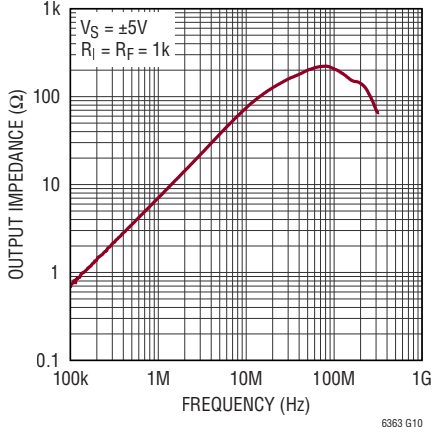


Differential Power Supply Rejection Ratio vs Frequency

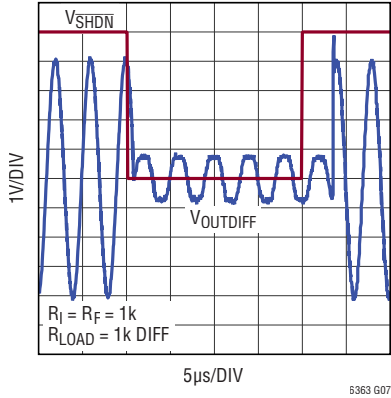


TYPICAL PERFORMANCE CHARACTERISTICS Applicable to the LTC6363 only.

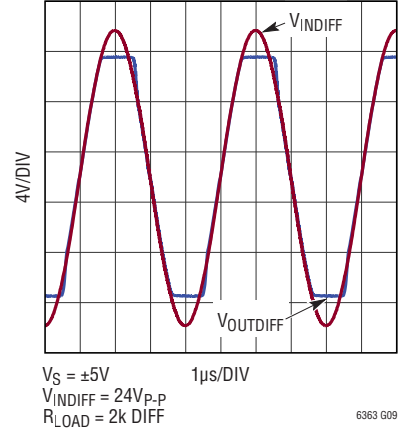
Differential Output Impedance vs Frequency



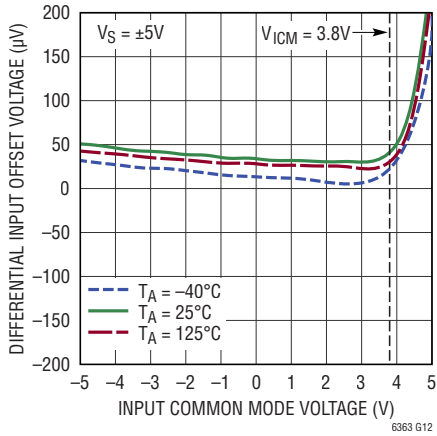
Turn-On and Turn-Off Transient Response



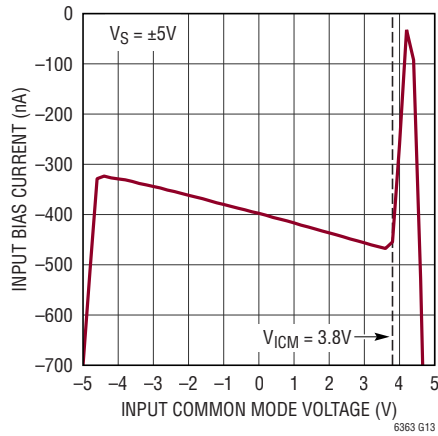
Output Overdrive Recovery



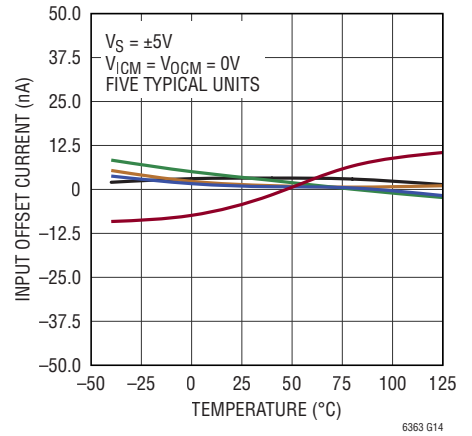
Differential Input Offset Voltage vs Input Common Mode Voltage



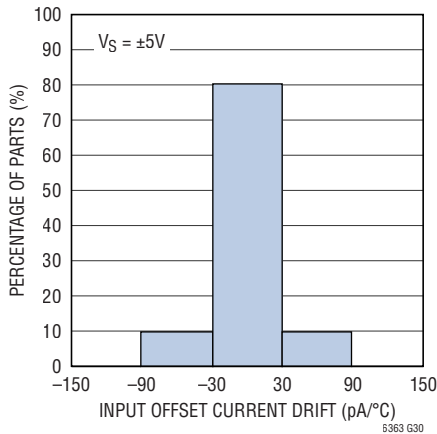
Input Bias Current vs Input Common Mode Voltage



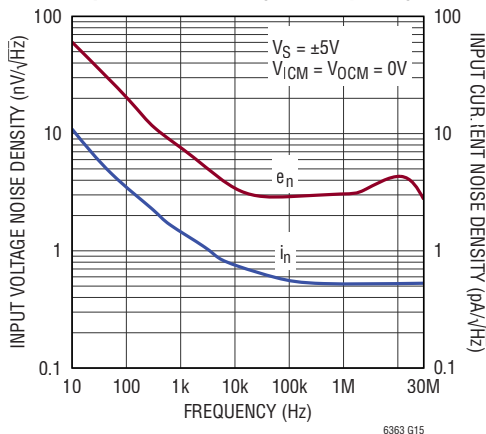
Input Offset Current vs Temperature



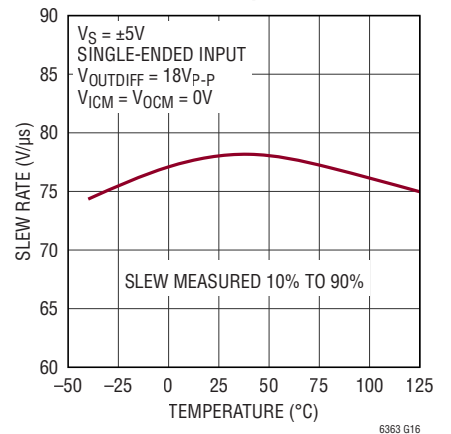
Typical Distribution of Input Offset Current Drift



Input Noise Density vs Frequency

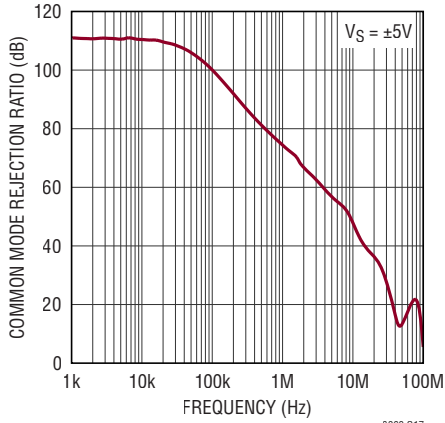


Slew Rate vs Temperature

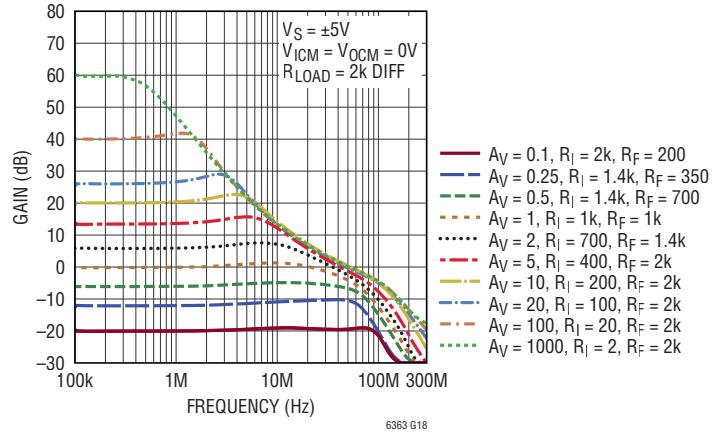


TYPICAL PERFORMANCE CHARACTERISTICS Applicable to the LTC6363 only.

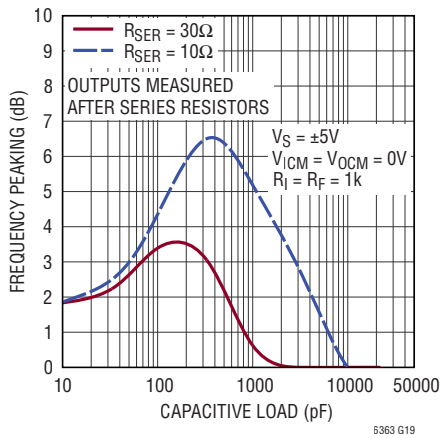
Input Common Mode Rejection Ratio vs Frequency



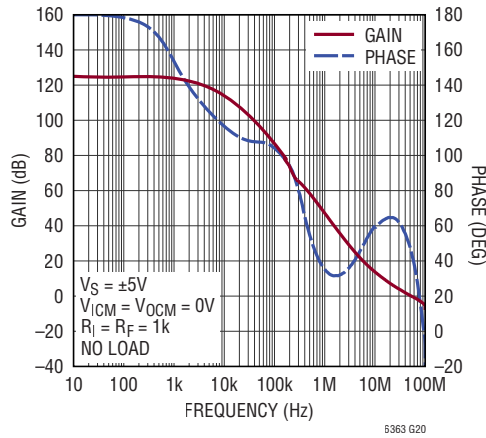
Frequency Response vs Closed-Loop Gain



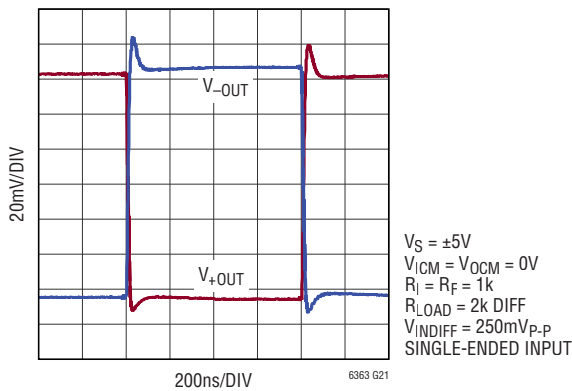
Frequency Peaking vs Load Capacitance



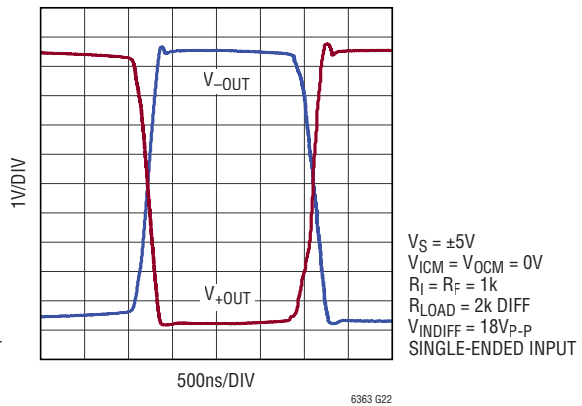
Open-Loop Gain and Phase vs Frequency



Small Signal Step Response

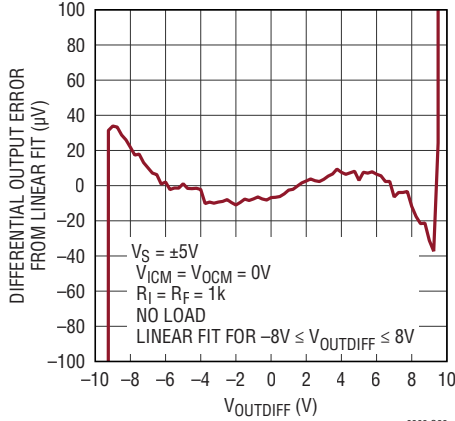


Large Signal Step Response



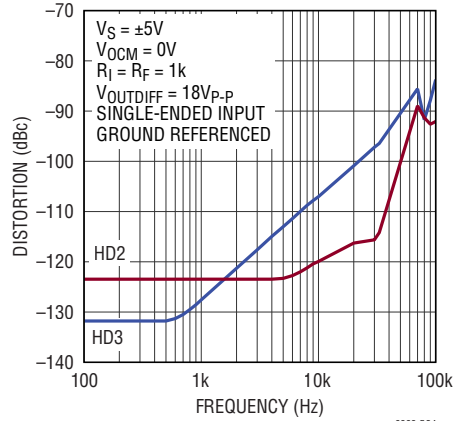
TYPICAL PERFORMANCE CHARACTERISTICS Applicable to the LTC6363 only.

DC Linearity



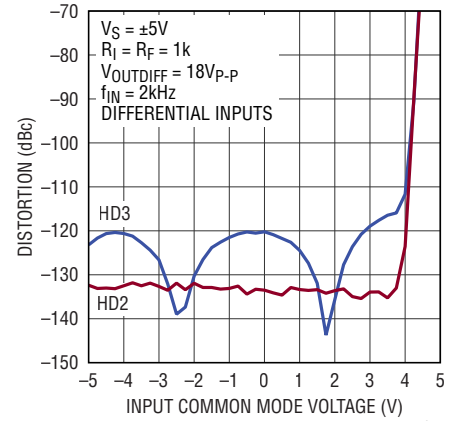
6363 G23

Harmonic Distortion vs Frequency



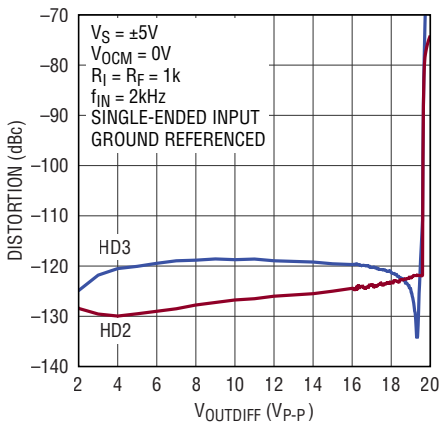
6363 G24

Harmonic Distortion vs Input Common Mode Voltage



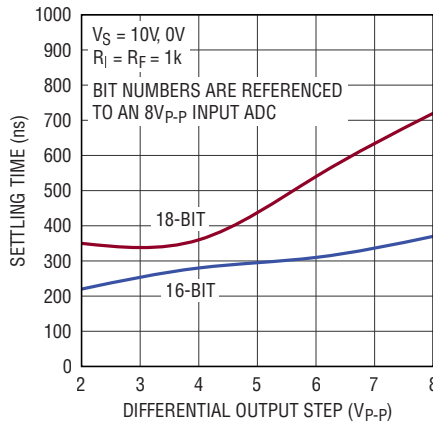
6363 G25

Harmonic Distortion vs Output Amplitude



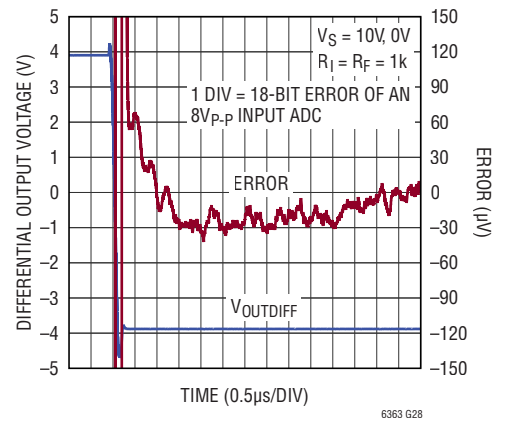
6363 G26

Settling Time vs Output Step



6363 G27

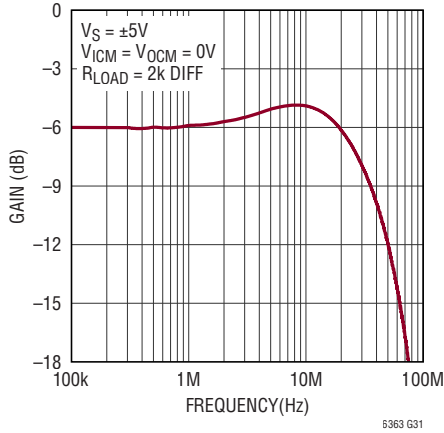
Settling Time to 8V_{P-P} Output Step



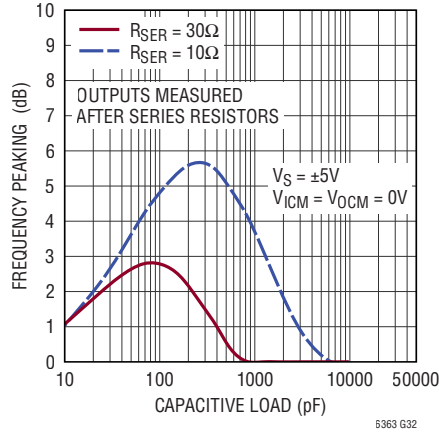
6363 G28

TYPICAL PERFORMANCE CHARACTERISTICS Applicable to the LTC6363-0.5 only.

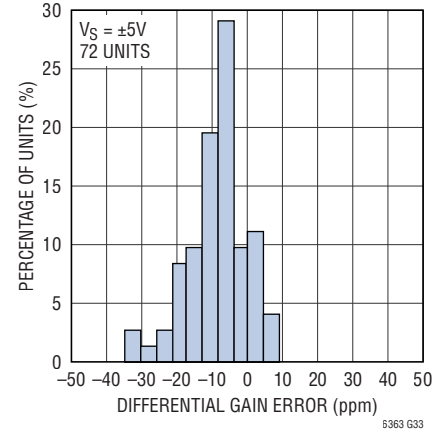
Gain vs Frequency



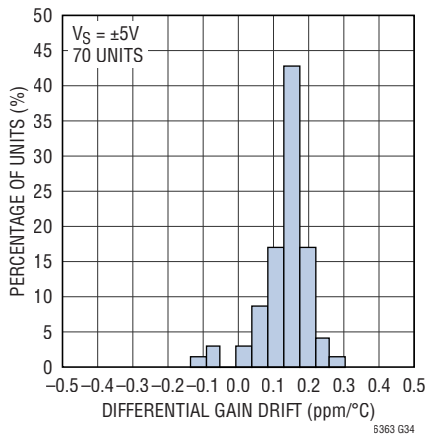
Frequency Peaking vs Load Capacitance



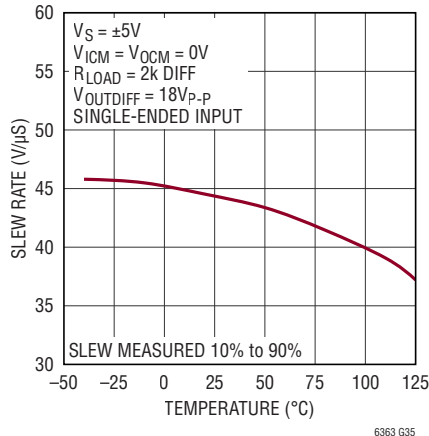
Typical Distribution of Differential Gain Error



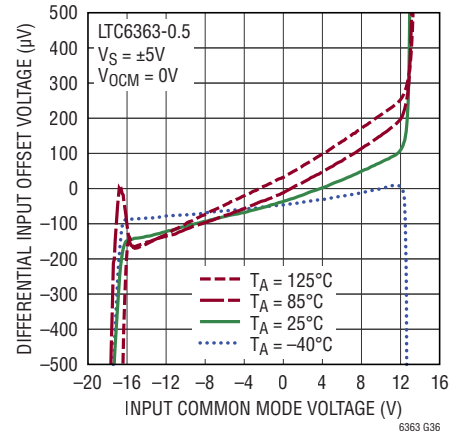
Typical Distribution of Differential Gain Drift



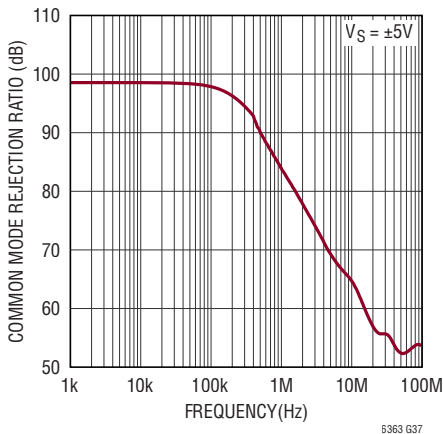
Slew Rate vs Temperature



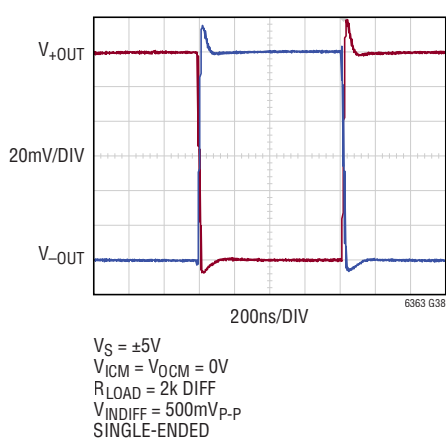
Differential Input Offset Voltage vs Input Common Mode Voltage



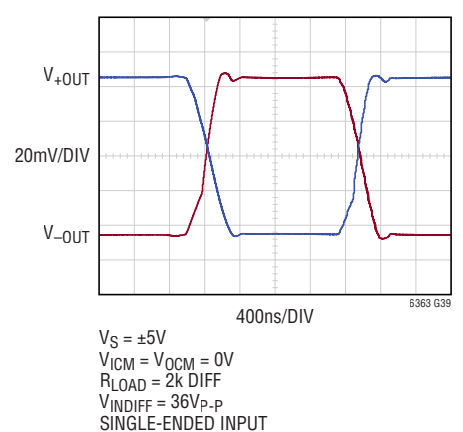
Input Common Mode Rejection Ratio vs Frequency



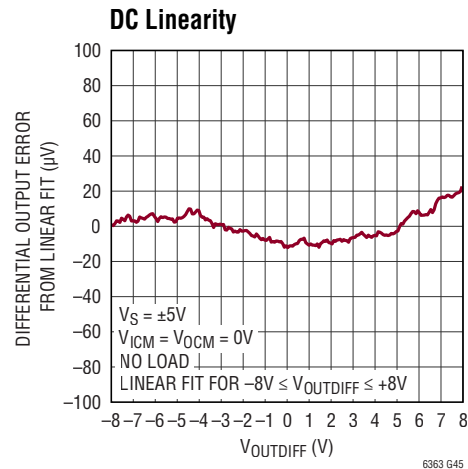
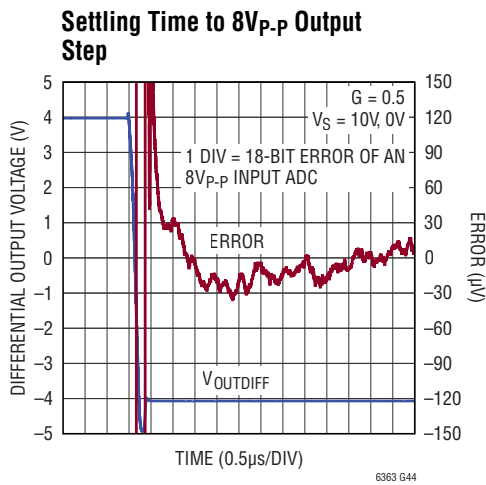
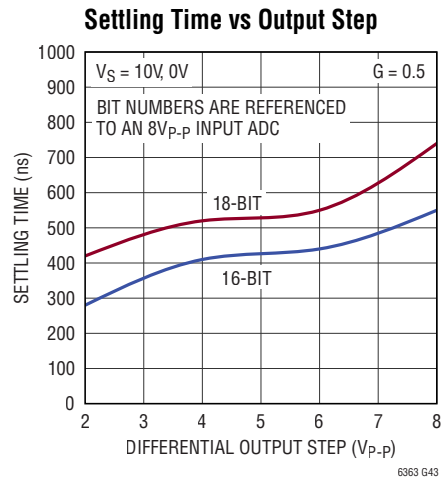
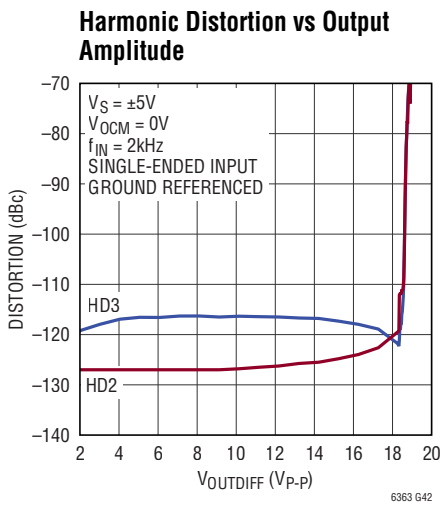
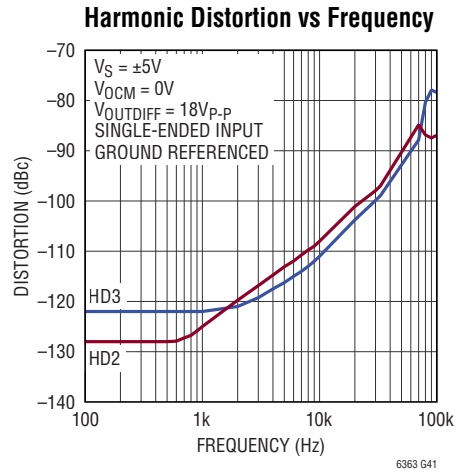
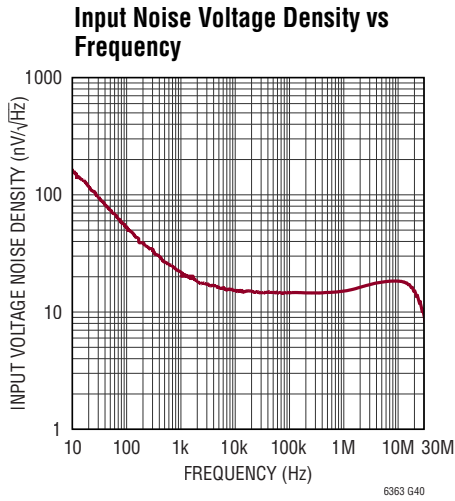
Small Signal Step Response



Large Signal Step Response

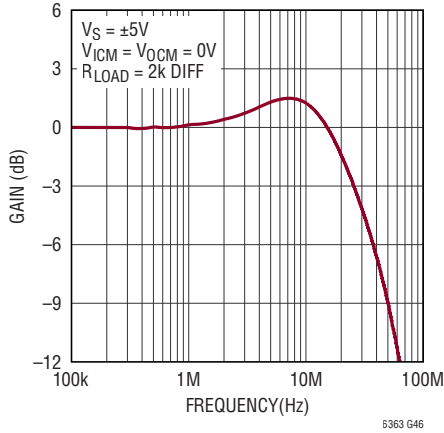


TYPICAL PERFORMANCE CHARACTERISTICS Applicable to the LTC6363-0.5 only.

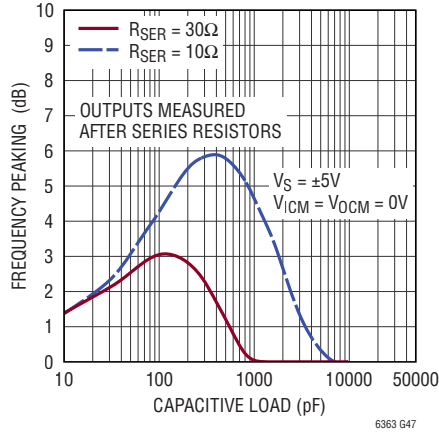


TYPICAL PERFORMANCE CHARACTERISTICS Applicable to the LTC6363-1 only.

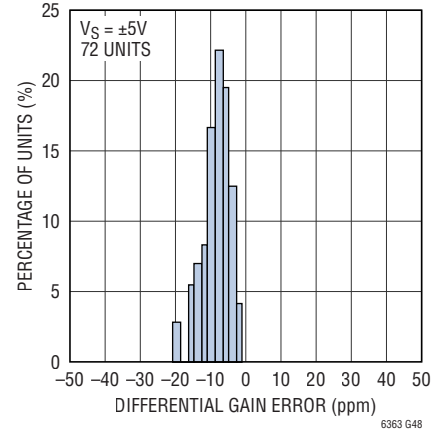
Gain vs Frequency



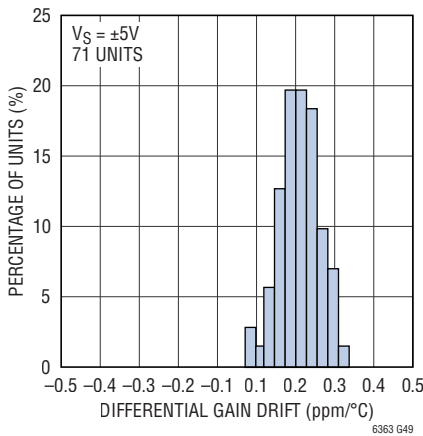
Frequency Peaking vs Load Capacitance



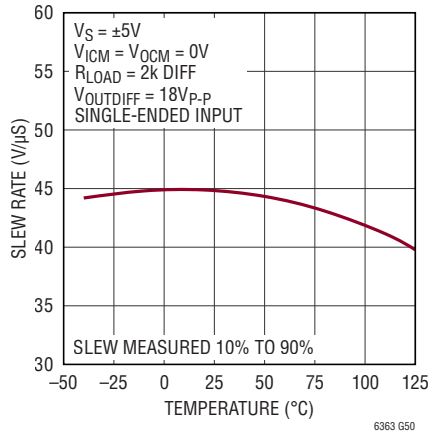
Typical Distribution of Differential Gain Error



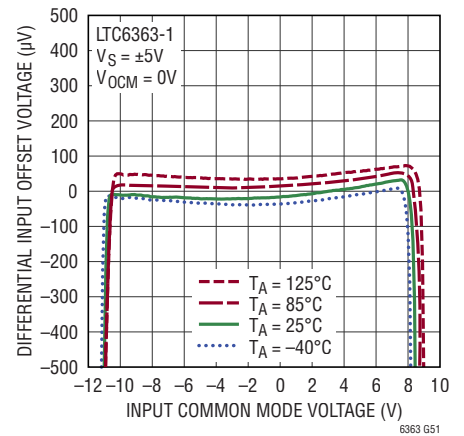
Typical Distribution of Differential Gain Drift



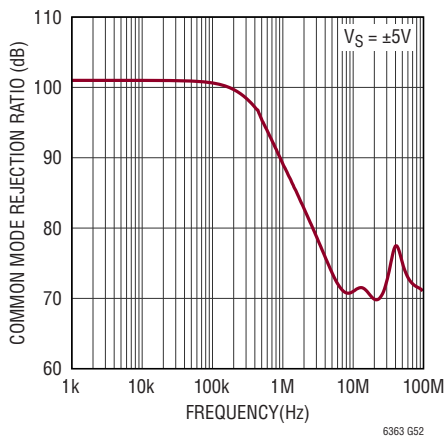
Slew Rate vs Temperature



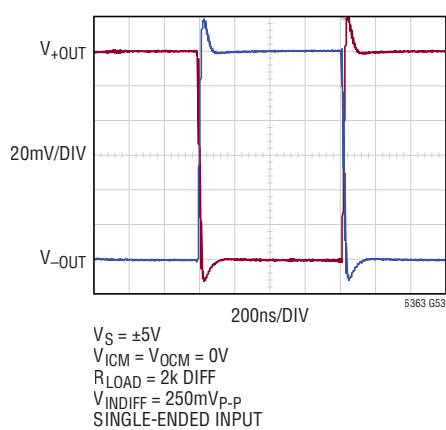
Differential Input Offset Voltage vs Input Common Mode Voltage



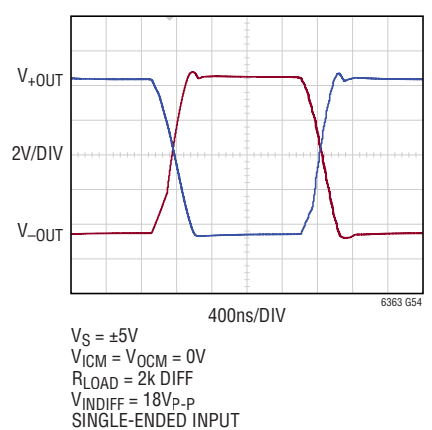
Input Common Mode Rejection Ratio vs Frequency



Small Signal Step Response

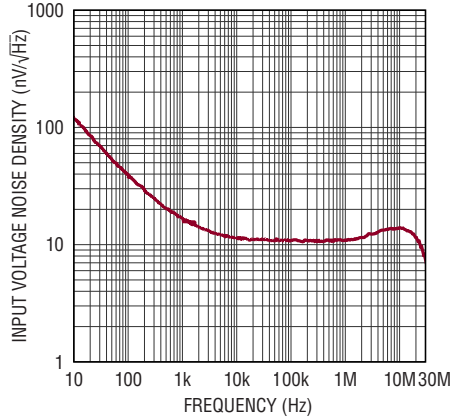


Large Signal Step Response



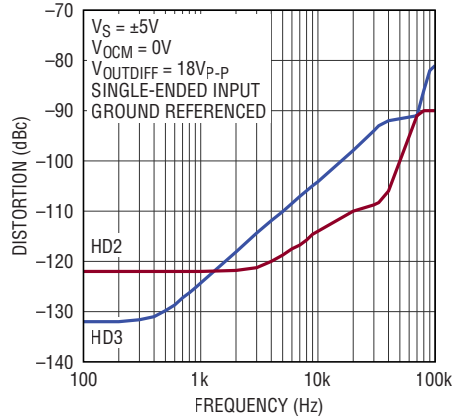
TYPICAL PERFORMANCE CHARACTERISTICS Applicable to the LTC6363-1 only.

Input Noise Voltage Density vs Frequency



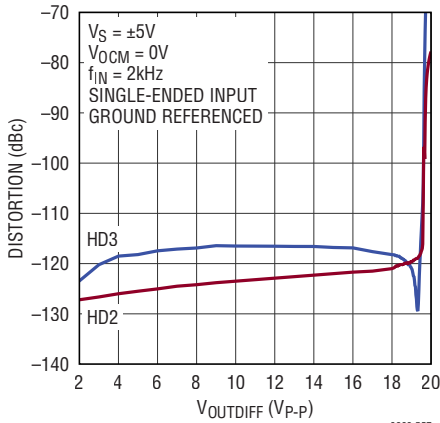
6363 G55

Harmonic Distortion vs Frequency



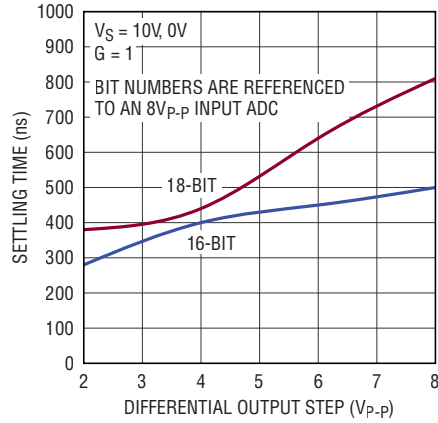
6363 G56

Harmonic Distortion vs Output Amplitude



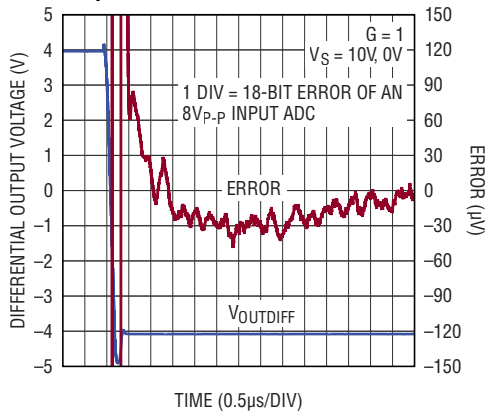
6363 G57

Settling Time vs Output Step



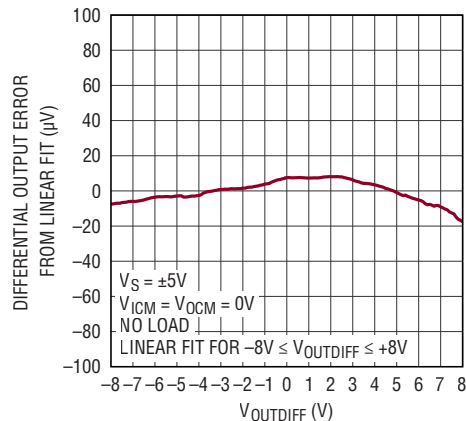
6363 G58

Settling Time to 8Vp-p vs Output Step



6363 G59

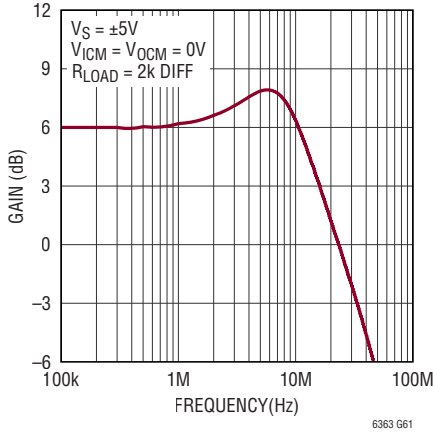
DC Linearity



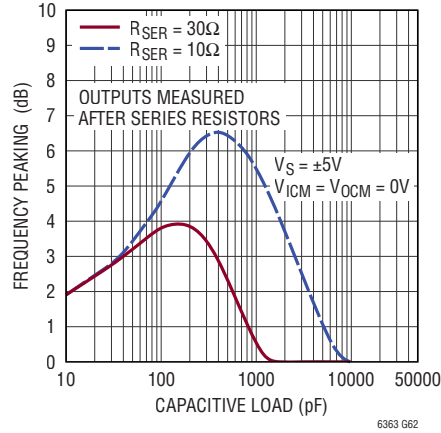
6363 G60

TYPICAL PERFORMANCE CHARACTERISTICS Applicable to the LTC6363-2 only.

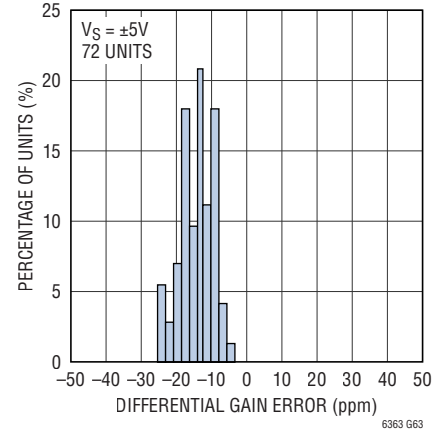
Gain vs Frequency



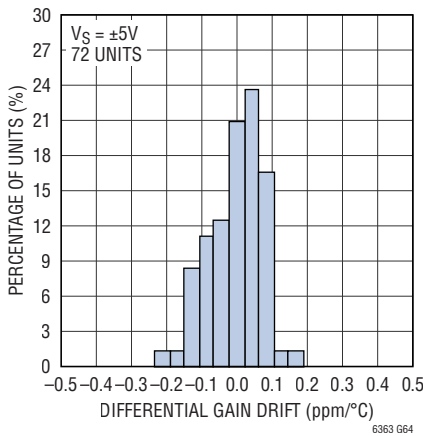
Frequency Peaking vs Load Capacitance



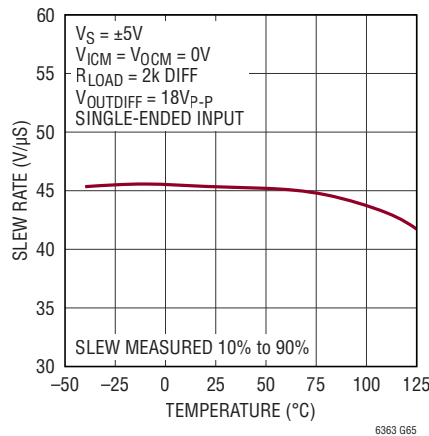
Typical Distribution of Differential Gain Error



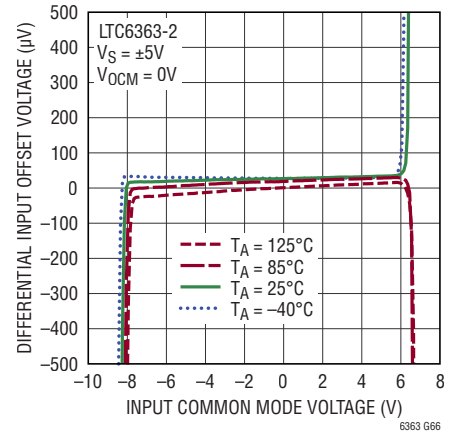
Typical Distribution of Differential Gain Drift



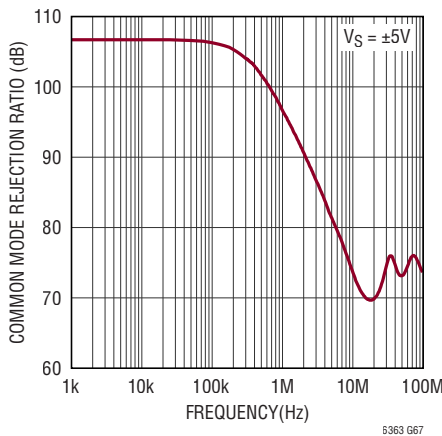
Slew Rate vs Temperature



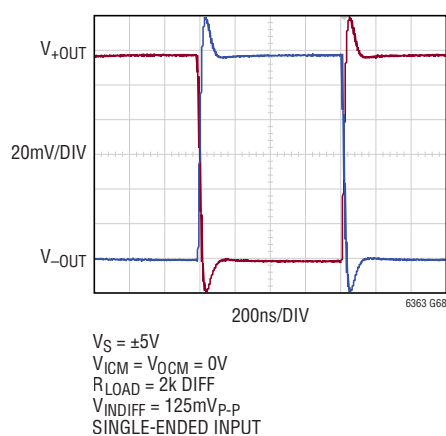
Differential Input Offset Voltage vs Input Common Mode Voltage



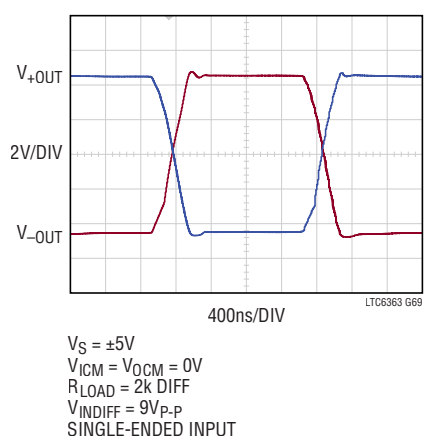
Input Common Mode Rejection Ratio vs Frequency



Small Signal Step Response

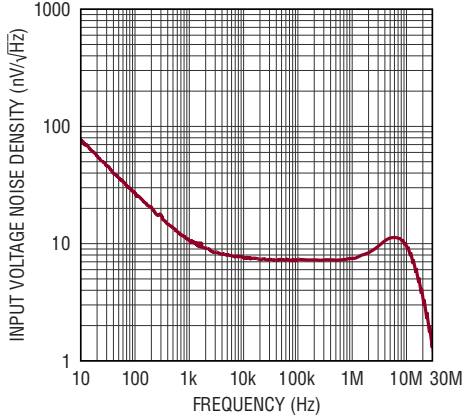


Large Signal Step Response



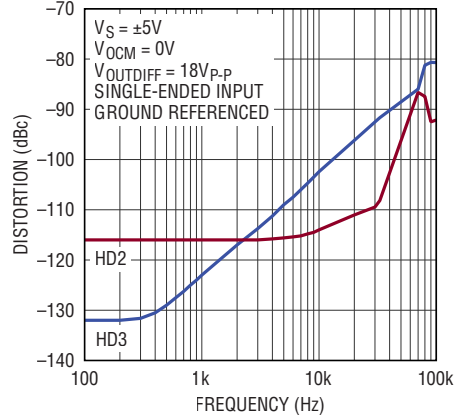
TYPICAL PERFORMANCE CHARACTERISTICS Applicable to the LTC6363-2 only.

Input Noise Voltage Density vs Frequency



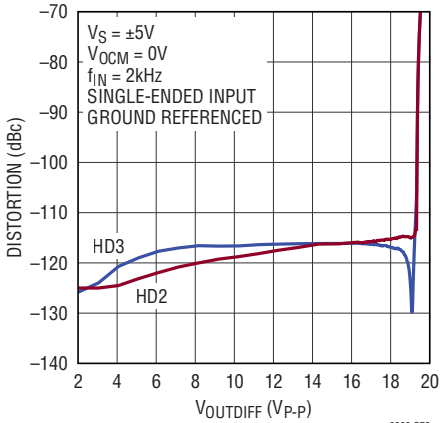
6363 G70

Harmonic Distortion vs Frequency



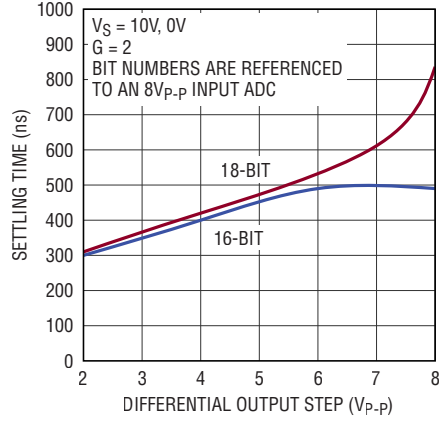
6363 G71

Harmonic Distortion vs Output Amplitude



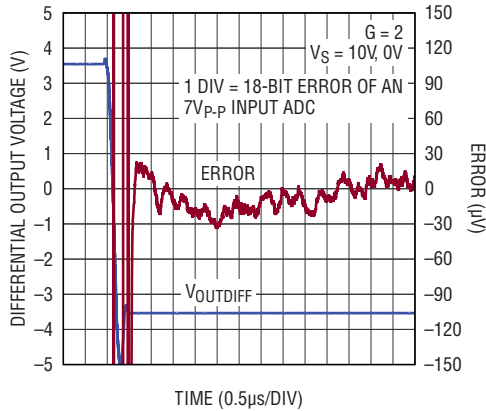
6363 G72

Settling Time vs Output Step



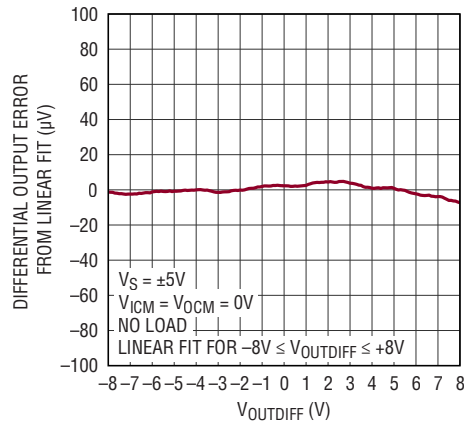
6363 G73

Settling Time to 7Vp-p vs Output Step



6363 G74

DC Linearity



6363 G75

LTC6363 Family

PIN FUNCTIONS (MS8,DCB)

–IN (Pin 1): Inverting Input of Amplifier. In the fixed-gain LTC6363-0.5/LTC6363-1/LTC6363-2 versions, this pin connects to a precision, on-chip resistor R_I .

V_{OCM} (Pin 2): Output Common Mode Reference Voltage. Voltage applied to this pin sets the output common mode voltage level. If left floating, an internal resistor divider creates a default voltage approximately halfway between V^+ and V^- . The V_{OCM} pin should be decoupled to ground with a minimum of $0.1\mu\text{F}$.

V^+ (Pin 3): Positive Power Supply. Operational supply range is 2.8V to 11V when $V^- = 0\text{V}$.

+OUT (Pin 4): Positive Output Pin. Output capable of swinging rail-to-rail.

–OUT (Pin 5): Negative Output Pin. Output capable of swinging rail-to-rail.

V^- (Pin 6/Exposed Pad Pin 9): Negative Power Supply. Negative supply can be 0V, or taken negative as long as $2.8\text{V} \leq (V^+ - V^-) \leq 11\text{V}$.

$\overline{\text{SHDN}}$ (Pin 7): When the $\overline{\text{SHDN}}$ pin is floating or driven high, the LTC6363 family is in the normal (active) operating mode. When $\overline{\text{SHDN}}$ pin is connected to V^- or driven low, the part is disabled and draws approximately $20\mu\text{A}$ of supply current ($V_S = 3\text{V}$).

+IN (Pin 8): Noninverting Input of Amplifier. In the fixed LTC6363-0.5/LTC6363-1/LTC6363-2 versions, this pin connects to a precision, on-chip resistor R_I .

PIN FUNCTIONS (LFCSP)

–FB (Pin 1): Inverting Feedback Pin. The –FB pin is internally shorted out to –OUT for feedback component connection and simplified board layout.

+IN (Pin 2): Noninverting Input of Amplifier.

–IN (Pin 3): Inverting Input of Amplifier.

+FB (Pin 4): Noninverting Feedback Pin. The +FB pin is internally shorted out to +OUT for feedback component connection and simplified board layout.

V^+ (Pins 5, 6, 7, 8): Positive Power Supply. Operational supply range is 2.8V to 11V when $V^- = 0\text{V}$.

V_{OCM} (Pin 9): Output Common Mode Reference Voltage. Voltage applied to this pin sets the output common mode voltage level. If left floating, an internal resistor divider creates a default voltage approximately halfway between V^+ and V^- . The V_{OCM} pin should be decoupled to ground with a minimum of $0.1\mu\text{F}$.

+OUT (Pin 10): Positive Output Pin. Output capable of swinging rail-to-rail.

–OUT (Pin 11): Negative Output Pin. Output capable of swinging rail-to-rail.

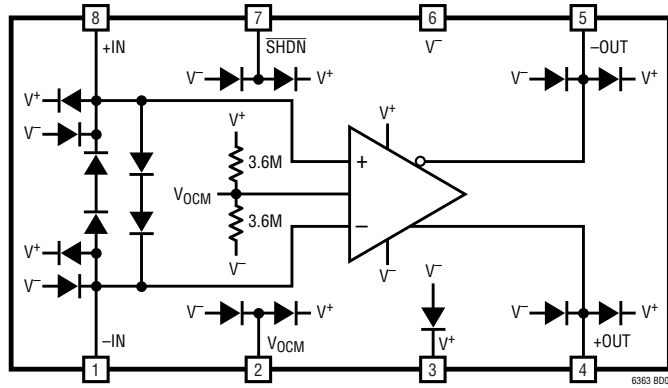
$\overline{\text{SHDN}}$ (Pin 12): When the $\overline{\text{SHDN}}$ pin is floating or driven high, the LTC6363 family is in the normal (active) operating mode. When $\overline{\text{SHDN}}$ pin is connected to V^- or driven low, the part is disabled and draws approximately $20\mu\text{A}$ of supply current ($V_S = 3\text{V}$).

V^- (Pins 13, 14, 15, 16): Negative Power Supply. Negative supply can be 0V, or taken negative as long as $2.8\text{V} \leq (V^+ - V^-) \leq 11\text{V}$.

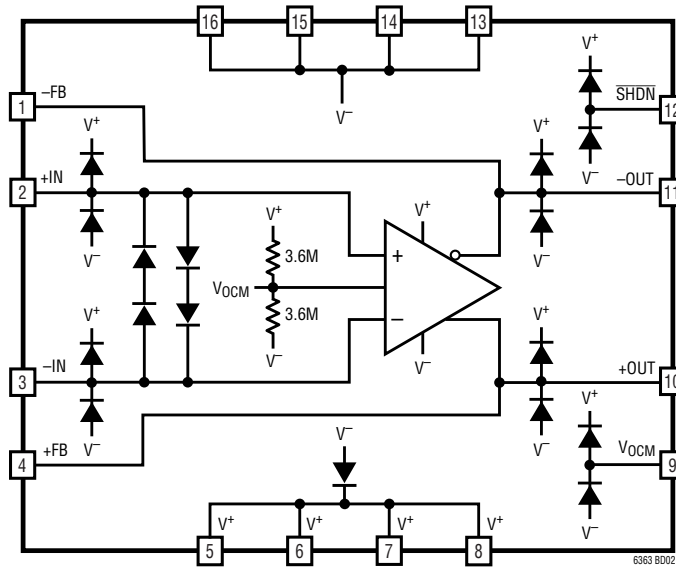
Exposed Pad (Pin 17): Connect the exposed pad to V^- or ground.

BLOCK DIAGRAMS

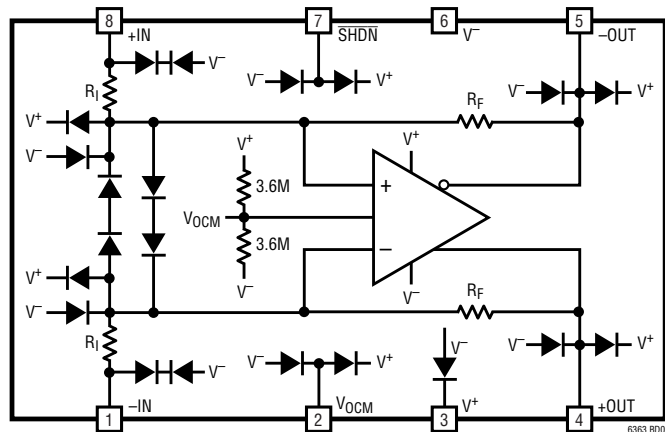
LTC6363 MSOP and DFN



LTC6363 LFCSP



LTC6363-0.5/ LTC6363-1/ LTC6363-2



| PART | R _I (Ω) | R _F (Ω) |
|-------------|--------------------|--------------------|
| LTC6363-0.5 | 1400 | 700 |
| LTC6363-1 | 1050 | 1050 |
| LTC6363-2 | 700 | 1400 |

APPLICATIONS INFORMATION

Functional Description

The LTC6363 family consists of four fully differential, low power, low noise, precision amplifiers. The LTC6363 is an unconstrained, fully differential amplifier, typically used with four external resistors. The LTC6363-0.5, LTC6363-1, and LTC6363-2 (gains of 0.5, 1, and 2 respectively) are fully-differential fixed gain blocks featuring precision, laser trimmed, matched internal resistors for accurate, stable gain and excellent CMRR. The entire LTC6363 family is optimized to convert a fully differential or single-ended signal to a low impedance, balanced differential output suitable for driving high performance, low power differential sigma-delta or SAR ADCs. The balanced differential nature of the amplifier also provides even-order harmonic distortion cancellation, and low susceptibility to common mode noise (e.g. power supply noise).

The outputs of the LTC6363 family are capable of swinging rail-to-rail and can source up to 90mA or sink up to 40mA of current. The LTC6363 family is optimized for high bandwidth and low power applications. Load capacitances above 50pF to ground or 25pF differentially should be decoupled with 10Ω to 50Ω of series resistance from each output to prevent oscillation or ringing.

SHDN Pin

The LTC6363 family has a $\overline{\text{SHDN}}$ pin which, when tied to V^- or driven to below V_{IL} , will shut down amplifier operation such that only 20μA (at $V_S = 3V$) to 70μA (at $V_S = 10V$) is drawn from the supplies. Pull-down circuitry should be capable of sinking at least 12μA to guarantee complete shutdown over all conditions. For normal amplifier operation, the $\overline{\text{SHDN}}$ pin should be left floating or tied to V^+ or driven to above V_{IH} .

General Amplifier Applications

In Figure 1, the gain to V_{OUTDIFF} from V_{INP} and V_{INM} is given by:

$$V_{\text{OUTDIFF}} = V_{+\text{OUT}} - V_{-\text{OUT}} \approx \left(\frac{R_F}{R_I} \right) \cdot (V_{\text{INP}} - V_{\text{INM}})$$

Note from the previous equation, the differential output voltage ($V_{+\text{OUT}} - V_{-\text{OUT}}$) is independent of input and output common mode voltages, or the voltage at the common mode pin. This makes the LTC6363 family ideally suited

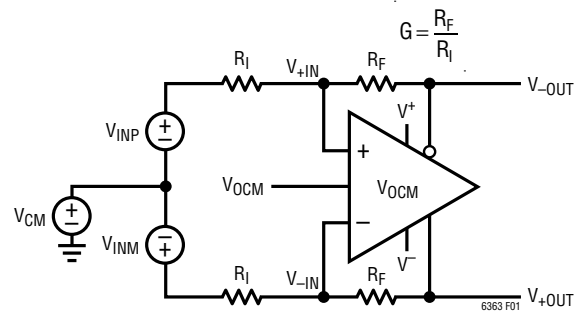


Figure 1. Definitions and Terminology

for pre-amplification, pre-attenuation, level shifting and conversion of single-ended signals to differential output signals for driving differential input ADCs or other devices.

Output Common Mode and V_{OCM} Pin

The output common mode voltage is defined as the average of the two outputs:

$$V_{\text{OUTCM}} = \left(\frac{V_{+\text{OUT}} + V_{-\text{OUT}}}{2} \right) = V_{\text{OCM}}$$

As the equation shows, the output common mode voltage is independent of the input common mode voltage, and is instead determined by the voltage on the V_{OCM} pin, by means of an internal common mode feedback loop.

The V_{OCM} input connects to the base of a PNP transistor and an internal resistor divider network. If the V_{OCM} pin is left open, the resistor divider creates a default voltage approximately halfway between V^+ and V^- . The V_{OCM} pin can be overdriven to another voltage if desired for greater accuracy or flexibility. For example, when driving an ADC, if the ADC makes a reference available for setting the common mode voltage, it can be directly tied to the V_{OCM} pin, as long as the ADC is capable of driving the 1.8M input resistance presented by the V_{OCM} pin. The Electrical Characteristics table specifies the valid range that can be applied to the V_{OCM} pin (V_{OUTCMR}).

Input Common Mode Voltage Range

For all versions of the LTC6363, the input common mode voltage range, V_{ICMR} , specification refers to the voltage at the input pins of the part. The input common mode voltage range of the LTC6363-0.5, LTC6363-1 and LTC6363-2 are extended beyond that of the LTC6363 due to the resistor divider action of the on-chip resistors.

APPLICATIONS INFORMATION

For LTC6363-0.5, LTC6363-1 and LTC6363-2 applications where the input is fully differential, the common mode voltage at the amplifier summing junction can be calculated using the following equation:

$$V_{ICM_AMP} = V_{ICM} \cdot \left(\frac{G}{G+1} \right) + V_{OCM} \cdot \left(\frac{1}{G+1} \right)$$

Where G is the gain, V_{ICM_AMP} is the common mode voltage at the amplifier's summing junction, V_{OCM} is the voltage applied to the V_{OCM} pin and V_{ICM} is the common mode voltage applied to the input pins of the LTC6363-0.5, LTC6363-1 or LTC6363-2. This equation is more useful when solved for V_{ICM} :

Table 1. Valid Input Common Mode Voltage Range for Fixed-Gain Versions (Differential Inputs)

| PART VERSION | GAIN | SUPPLY (V) | V_{OCM} (V) | V_{ICM} (V) |
|--------------|------|------------|---------------|----------------|
| LTC6363-0.5 | 0.5 | 3 | 0.5 | -1 to 4.4 |
| LTC6363-0.5 | 0.5 | 3 | 1.5 | -3 to 2.4 |
| LTC6363-0.5 | 0.5 | 3 | 2.5 | -5 to 0.4 |
| LTC6363-0.5 | 0.5 | 5 | 0.5 | -1 to 10.4 |
| LTC6363-0.5 | 0.5 | 5 | 2.5 | -5 to 6.4 |
| LTC6363-0.5 | 0.5 | 5 | 4.5 | -9 to 2.4 |
| LTC6363-0.5 | 0.5 | 10 | 0.5 | -1 to 25.4 |
| LTC6363-0.5 | 0.5 | 10 | 5 | -10 to 16.4 |
| LTC6363-0.5 | 0.5 | 10 | 9.5 | -19 to 7.4 |
| LTC6363-1 | 1 | 3 | 0.5 | -0.5 to 3.1 |
| LTC6363-1 | 1 | 3 | 1.5 | -1.5 to 2.1 |
| LTC6363-1 | 1 | 3 | 2.5 | -2.5 to 1.1 |
| LTC6363-1 | 1 | 5 | 0.5 | -0.5 to 7.1 |
| LTC6363-1 | 1 | 5 | 2.5 | -2.5 to 5.1 |
| LTC6363-1 | 1 | 5 | 4.5 | -4.5 to 3.1 |
| LTC6363-1 | 1 | 10 | 0.5 | -0.5 to 17.1 |
| LTC6363-1 | 1 | 10 | 5 | -5 to 12.6 |
| LTC6363-1 | 1 | 10 | 9.5 | -9.5 to 8.1 |
| LTC6363-2 | 2 | 3 | 0.5 | -0.25 to 2.45 |
| LTC6363-2 | 2 | 3 | 1.5 | -0.75 to 1.95 |
| LTC6363-2 | 2 | 3 | 2.5 | -1.25 to 1.45 |
| LTC6363-2 | 2 | 5 | 0.5 | -0.25 to 5.45 |
| LTC6363-2 | 2 | 5 | 2.5 | -1.25 to 4.45 |
| LTC6363-2 | 2 | 5 | 4.5 | -2.25 to 3.45 |
| LTC6363-2 | 2 | 10 | 0.5 | -0.25 to 12.95 |
| LTC6363-2 | 2 | 10 | 5 | -2.5 to 10.7 |
| LTC6363-2 | 2 | 10 | 9.5 | -4.75 to 8.45 |

$$V_{ICM} = \frac{V_{ICM_AMP} \cdot (G+1) - V_{OCM}}{G}$$

The minimum and maximum valid input common mode voltage can be computed using this equation by substituting for V_{ICM_AMP} the minimum and maximum V_{ICMR} specification of the LTC6363: V^- and $V^+ - 1.2V$ respectively. Table 1 lists various solutions to this equation.

The equation changes slightly if the LTC6363-0.5, LTC6363-1 or LTC6363-2 input is single ended since now the input common mode voltage at the amplifiers's summing junction is also a function of the input signal V_{INP} (where $V_{INM} = 0$):

$$V_{ICM} = \frac{V_{ICM_AMP} \cdot (G+1) - V_{OCM} - \frac{V_{INP}}{2}}{G}$$

In summary, the common mode voltage at the input pins of the LTC6363-0.5/LTC6363-1/LTC6363-2 (V_{ICM}) is valid if it lies within the following range:

$$\frac{V^- (G+1) - V_{OCM}}{G} \leq V_{ICM} \leq \frac{(V^+ - 1.2)(G+1) - V_{OCM}}{G}$$

For Differential Inputs

$$\frac{V^- (G+1) - V_{OCM} - \frac{V_{INP}}{2}}{G} \leq V_{ICM} \leq \frac{(V^+ - 1.2)(G+1) - V_{OCM} - \frac{V_{INP}}{2}}{G}$$

For Single-Ended Inputs ($V_{INM} = 0$)

Input Pin Protection

The absolute maximum input current of the LTC6363 amplifier input pins is $\pm 10mA$, as specified in the Absolute Maximum Ratings. The amplifier inside the LTC6363-0.5/LTC6363-1/LTC6363-2 also has this same limitation but cannot be directly observed. Absolute maximum input voltage is specified for the LTC6363-0.5/LTC6363-1/LTC6363-2 using the following equations:

$$V^- - 10mA \cdot R_I - \frac{(V_{OUT} - V^- + 0.3)}{G} - 0.3 \text{ to}$$

$$V^+ + 10mA \cdot R_I + \frac{(V^+ + 0.3 - V_{OUT})}{G} + 0.3$$

APPLICATIONS INFORMATION

The output voltage is a variable in these equations because it affects how much current is flowing in R_F . This current also flows in R_I and increases the voltage which can be applied to the input without exceeding the 10mA limit on the amplifier's inputs. The absolute maximum input voltage is specified conservatively, assuming the output voltage is at V^+ for the positive limit and V^- for the negative limit. This simplifies the equations:

$$V^- - 10\text{mA} \cdot R_I - 0.3 \cdot \left(1 + \frac{1}{G}\right) \text{ to}$$

$$V^+ + 10\text{mA} \cdot R_I + 0.3 \cdot \left(1 + \frac{1}{G}\right)$$

Input Impedance and Loading Effects

The low frequency input impedance looking into the V_{INP} or V_{INM} input of Figure 1 depends on how the inputs are driven. For fully differential input sources ($V_{INP} = -V_{INM}$), the input impedance seen at either input is simply:

$$R_{INP} = R_{INM} = R_I$$

For single-ended inputs, due to the signal imbalance at the input, the input impedance increases over the balanced differential case. The input impedance looking into either input is:

$$R_{INP} = R_{INM} = \frac{R_I}{1 - \left(\frac{1}{2}\right) \cdot \left(\frac{R_F}{R_I + R_F}\right)}$$

Input signal sources with non-zero impedances can also cause feedback imbalance between the pair of feedback networks. For the best performance, it is recommended that the input source impedance be compensated. If impedance matching is required at the source, a termination resistor R_1 should be chosen (see Figure 2) such that:

$$R_1 = \frac{R_{INM} \cdot R_S}{R_{INM} - R_S}$$

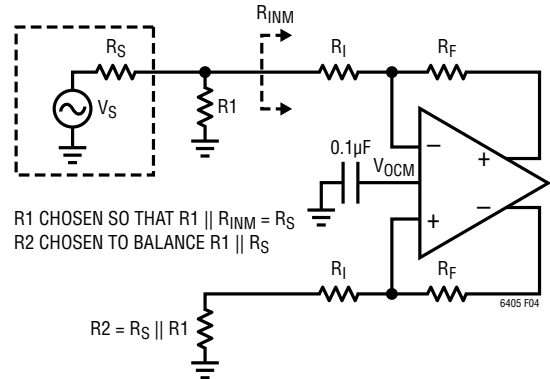


Figure 2. Optimal Compensation for Signal Source Impedance

According to Figure 2, the input impedance looking into the differential amp (R_{INM}) reflects the single-ended source case, given above. Also, R_2 is chosen as:

$$R_2 = R_1 || R_S = \frac{R_1 \cdot R_S}{R_1 + R_S}$$

Effects of Resistor Pair Mismatch

Figure 3 shows a circuit diagram which takes into consideration resistor mismatch. Often, resistor mismatch limits CMRR well below amplifier specifications. Assuming infinite open-loop gain, the differential output relationship is given by the equation:

$$V_{OUT(DIFF)} = V_{+OUT} - V_{-OUT} \\ \approx V_{INDIFF} \cdot \frac{R_F}{R_I} + V_{OCM} \cdot \frac{\Delta\beta}{\beta_{AVG}} - V_{OCM} \cdot \frac{\Delta\beta}{\beta_{AVG}}$$

where R_F is the average of R_{F1} and R_{F2} , and R_I is the average of R_{I1} and R_{I2} .

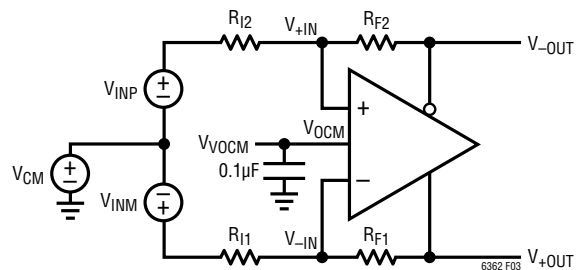


Figure 3. Real-World Application with Feedback Resistor Pair Mismatch

APPLICATIONS INFORMATION

β_{AVG} is defined as the average feedback factor from the outputs to their respective inputs:

$$\beta_{AVG} = \frac{1}{2} \cdot \left(\frac{R_{I1}}{R_{I1} + R_{F1}} + \frac{R_{I2}}{R_{I2} + R_{F2}} \right)$$

$\Delta\beta$ is defined as the difference in the feedback factors:

$$\Delta\beta = \frac{R_{I2}}{R_{I2} + R_{F2}} - \frac{R_{I1}}{R_{I1} + R_{F1}}$$

Here, V_{CM} and V_{INDIFF} are defined as the average and the difference of the two input voltages V_{INP} and V_{INM} , respectively:

$$V_{CM} = \frac{V_{INP} + V_{INM}}{2}$$

$$V_{INDIFF} = V_{INP} - V_{INM}$$

When the feedback ratios mismatch ($\Delta\beta$), common mode to differential conversion occurs. Setting the differential input to zero ($V_{INDIFF} = 0$), the degree of common mode to differential conversion is given by the equation:

$$V_{OUTDIFF} \approx (V_{CM} - V_{OCM}) \cdot \Delta\beta / \beta_{AVG}$$

In general, the degree of feedback pair mismatch is a source of common mode to differential conversion of both signals and noise. For instance, Table 2 shows the worst-case, resistor limited CMRR of the LTC6363 amplifier configured in a gain of 1 using external resistors.

Table 2.

| Tolerance | CMRR |
|-----------|------|
| 5% | 20dB |
| 1% | 34dB |
| 0.1% | 54dB |
| 0.01% | 74dB |
| LT5400 | 86dB |
| 0.001% | 94dB |

The LTC6363-0.5/LTC6363-1/LTC6363-2 versions exhibit superior DC CMRR due to precise on-chip resistors to realize their intended gains. For example, the LTC6363-1 exhibits a DC CMRR of 100dB, which is equivalent to using resistors of 0.0005% tolerance and eliminates the additional cost and area associated with discrete components.

A low impedance ground plane should be used as a reference for both the input signal source and the V_{OCM} pin.

Noise

The LTC6363's differential input referred voltage and current noise densities are $2.9\text{nV}/\sqrt{\text{Hz}}$ and $0.55\text{pA}/\sqrt{\text{Hz}}$, respectively. In addition to the noise generated by the amplifier, the surrounding feedback resistors also contribute noise. A simplified noise model is shown in Figure 4. The output noise generated by both the amplifier and the feedback components is given by the equation:

$$e_{no} = \sqrt{\left[e_{ni} \cdot \left(1 + \frac{R_F}{R_I} \right) \right]^2 + 2 \cdot (i_n \cdot R_F)^2 + 2 \cdot \left[e_{nRI} \cdot \frac{R_F}{R_I} \right]^2 + 2 \cdot e_{nRF}^2}$$

For example, if $R_F = R_I = 1\text{k}$, the output noise of the circuit $e_{no} = 10\text{nV}/\sqrt{\text{Hz}}$.

If the circuits surrounding the amplifier are well balanced, common mode noise (e_{nVOCM}) does not appear in the differential output noise equation given above.

The LTC6363's input referred voltage noise contributes the equivalent noise of a 510Ω resistor. When the feedback network is comprised of resistors whose values are larger than this, the output noise is resistor noise and amplifier current noise dominant. For feedback networks consisting

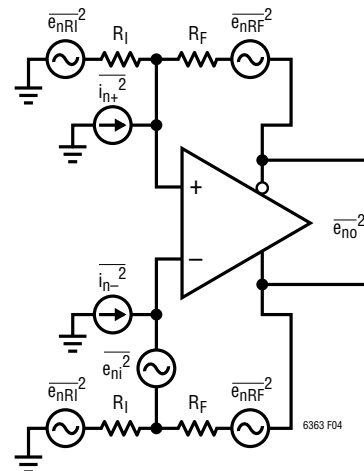


Figure 4. Simplified Noise Model

APPLICATIONS INFORMATION

of resistors with values smaller than 510Ω , the output noise is voltage noise dominant.

Lower resistor values always result in lower noise at the penalty of increased distortion due to increased loading of the feedback network on the output. Higher resistor values will result in higher output noise, but typically improved distortion due to less loading on the output.

Keep in mind that in the Electrical Characteristics table the voltage noise specification for the LTC6363-0.5/LTC6363-1/LTC6363-2 includes the contributions of the on chip R_F and R_I resistances. These resistance values were chosen to optimize noise and distortion performance while interfacing with SAR ADCs.

GBW vs f_{-3dB}

Gain-bandwidth product (GBW) and $-3dB$ frequency (f_{-3dB}) have been specified in the Electrical Characteristics table as two different metrics for the speed of the LTC6363 family. GBW is obtained by measuring the open-loop gain of the amplifier at a specific frequency (f_{TEST}), then calculating $gain \cdot f_{TEST}$. GBW is a parameter that depends only on the internal design and compensation of the amplifier and is a suitable metric to specify the inherent speed capability of the internal amplifier. For this reason, GBW is specified in the Electrical Characteristics table only for the LTC6363.

Of more practical interest, f_{-3dB} is the frequency at which the closed-loop gain is 3dB lower than its low frequency value. The value of f_{-3dB} depends on the speed of the internal amplifier as well as the feedback factor. Thus the f_{-3dB} frequency has been specified in the Electrical Characteristics table for the LTC6363 as well as LTC6363-0.5/LTC6363-1/LTC6363-2 versions.

In most amplifiers, the open-loop gain response exhibits a conventional single-pole roll-off for most of the frequencies before the unity-gain crossover frequency, and the GBW and unity-gain frequency are close to each other. However, the LTC6363 family is intentionally compensated in such a way that its GBW is significantly larger than its f_{-3dB} in a closed loop gain of 1. This means that at lower frequencies where the amplifier inputs generally operate, the amplifier's gain and thus the feedback loop gain is

larger. This further linearizes the amplifier and improves distortion at those frequencies.

Feedback Capacitors

When the combination of parasitic capacitances (device + PCB) at the LTC6363's inputs form a pole whose frequency lies within the closed-loop bandwidth of the amplifier, a capacitor (C_F) can be added in parallel with the external feedback resistors (R_F) to cancel the degradation on stability. C_F will typically be at least equal to $C_{IN,CM}$. C_F should be chosen such that it generates a zero at a frequency close to the frequency of the pole. The LTC6363-0.5/LTC6363-1/LTC6363-2 versions are internally stable so no C_F is needed.

Board Layout and Bypass Capacitors

For single supply applications, it is recommended that high quality $0.1\mu F$ ceramic bypass capacitors be placed directly between the V^+ and the V^- pin with short connections. The V^- pin should be tied directly to a low impedance ground plane with minimal routing. For dual (split) power supplies, it is recommended that additional high quality $0.1\mu F$ ceramic capacitors be used to bypass V^+ to ground and V^- to ground, again with minimal routing. Small geometry (e.g., 0603) surface mount ceramic capacitors have a much higher self-resonant frequency than leaded capacitors, and perform best with the LTC6363 family.

To prevent degradation in stability response, it is highly recommended that any stray capacitance at the LTC6363's input pins, $+IN$ and $-IN$, be kept to an absolute minimum by keeping printed circuit connections as short as possible.

At the inputs of the LTC6363-0.5/LTC6363-1/LTC6363-2 versions, any source impedance effectively sums with the R_I . Any parasitic resistance should be minimized and balanced to preserve gain accuracy and common mode rejection performance.

At the output, always keep in mind the differential nature of the LTC6363 family, because it is critical that the load impedances seen by both outputs and feedback pins (stray or intended), be as balanced and symmetric as possible. This will help preserve the balanced operation of the LTC6363 family that minimizes the generation of

APPLICATIONS INFORMATION

even-order harmonics and maximizes the rejection of common mode signals and noise.

The V_{OCM} pin should be bypassed to the ground plane with a high quality 0.1 μ F ceramic capacitor. This will prevent common mode signals and noise on this pin from being inadvertently converted to differential signals and noise by impedance mismatches both externally and internally to the IC.

Power Dissipation

Due to the wide supply voltage range, it is possible for the LTC6363 family to exceed the maximum junction temperature under certain conditions. Maximum junction temperature (T_J) is calculated from the ambient temperature (T_A) and power dissipation (P_D) as follows: $T_J = T_A + (P_D \cdot \theta_{JA})$. The power dissipation in the IC is a function of the supply voltage, output voltage and the load, input and feedback resistances. For a given supply voltage, the worst-case power dissipation, $P_{D(MAX)}$, occurs at the maximum quiescent supply current and at an output voltage which is half of either supply voltage (or the maximum swing if it is less than half the supply voltage). In this condition, the LTC6363 will supply current to the load resistors and the input and feedback resistors, R_I and R_F . $P_{D(MAX)}$ is given by:

$$P_{D(MAX)} = (V^+ - V^-) (I_{S(MAX)}) + 2 \cdot \frac{\left(\frac{V^+}{2}\right)^2}{R_L} + 2 \cdot \frac{\left(\frac{V^+}{2} \left(1 + \frac{R_I}{R_F}\right)\right)^2}{R_I + R_F}$$

Example: An LTC6363HMS8 in the 8-Lead MSOP package has a thermal resistance of $\theta_{JA} = 273^\circ\text{C/W}$. Operating on $\pm 5\text{V}$ supplies, with $R_I = R_F = 500\Omega$, and driving a 500 Ω load to ground at each output, the worst-case power dissipation is given by:

$$P_{D(MAX)} = (10\text{V})(2.2\text{mA}) + 2 \cdot \frac{(2.5\text{V})^2}{500\Omega} + 2 \cdot \frac{(5\text{V})^2}{1000\Omega} = 97\text{mW}$$

In this example, the maximum ambient temperature that the part is allowed to operate is:

$$T_A = T_J - (P_{D(MAX)} \cdot 273^\circ\text{C/W})$$

$$T_A = 150^\circ\text{C} - (97\text{mW})(273^\circ\text{C/W}) = 123.5^\circ\text{C}$$

To operate the device at a higher ambient temperature for the same conditions, use the LTC6363 in the 8-Lead DFN package.

Interfacing to ADCs

When driving an ADC, an additional passive filter should be used between the outputs of the LTC6363 family and the inputs of the ADC. Depending on the application, a single-pole RC filter will often be sufficient. The sampling process of ADCs creates a charge transient due to the switching in of the ADC sampling capacitor. This momentarily creates high frequency current pulses at the output of the amplifier as charge is transferred between amplifier and sampling capacitor. The amplifier must recover and settle from this load transient before the acquisition period has ended for a valid representation of the input signal. The RC network between the outputs of the driver and the inputs of the ADC decouples this sampling transient (see Figure 5). The capacitance serves to provide the bulk of the charge during the sampling process, and the two resistors at the outputs of the LTC6363 family are used to dampen and attenuate any charge injected by the ADC. Additionally, the RC filter band limits broadband output noise.

The selection of an appropriate filter depends on the specific ADC, and the following procedure is suggested for choosing filter component values. Begin by selecting an appropriate RC time constant for the input signal. Generally, longer time constants improve SNR at the expense of settling time. Output transient settling to 20-bit accuracy will require nearly 14 RC time constants to completely settle. To select the resistor value, remember the resistors in the decoupling network should be at least 10 Ω . Keep in mind that these resistors also serve to decouple the LTC6363 family outputs from load capacitance. Too large of a resistor will leave insufficient settling time. Too small of a resistor will not properly dampen the load transient of the sampling process, prolonging the time required for

APPLICATIONS INFORMATION

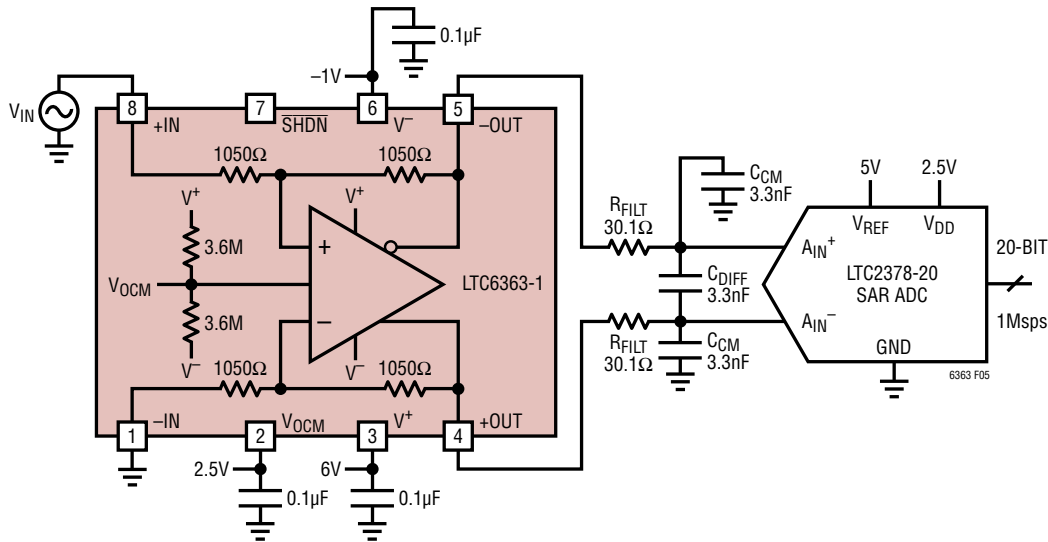


Figure 5. Recommended Interface Solution for Driving the LTC2378-20 SAR ADC

settling. For lowest distortion, choose capacitors with low dielectric absorption (such as a COG multilayer ceramic capacitor). In general, large capacitor values attenuate the fixed nonlinear charge kickback; however very large capacitor values will detrimentally load the driver at the desired input frequency and cause driver distortion. Smaller input swings will allow for larger filter capacitor values due to decreased loading demands on the driver. This property may be limited by the particular input amplitude dependence of differential nonlinear charge kickback for the specific ADC.

In some applications, placing series resistors at the inputs of the ADC may further improve distortion performance.

These series resistors function with the ADC sampling capacitor to filter potential ground bounce or other high speed sampling disturbances. Additionally, the resistors limit the rise time of residual filter glitches that manage to propagate to the driver outputs. Restricting possible glitch propagation rise time to within the small signal bandwidth of the driver enables less disturbed output settling.

For the specific application of LTC6363 driving the LTC2378-20 SAR ADC, the recommended component values of the RC filter are provided in Figure 5. These component values are chosen for optimal distortion and noise performance.

TEST CIRCUITS Noise gain = $G_N = 1 + \frac{R_F}{R_I}$, closed loop gain = $G = \frac{R_F}{R_I}$

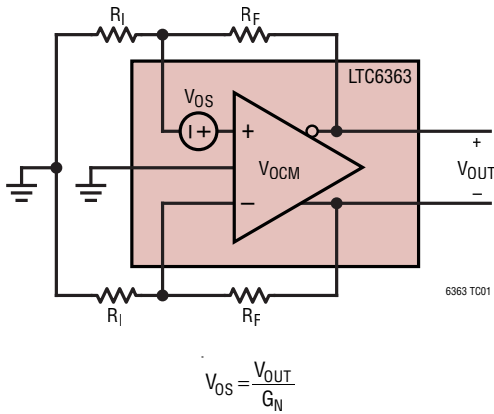


Figure 6. Specified LTC6363 V_{OS} Is Referred to the Summing Junction

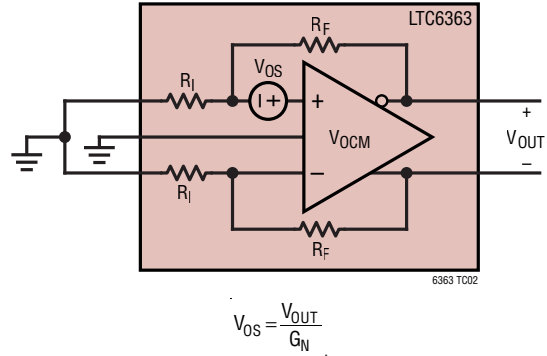


Figure 7. Specified LTC6363-0.5, LTC6363-1 and LTC6363-2 V_{OS} Is Referred to the Summing Junction

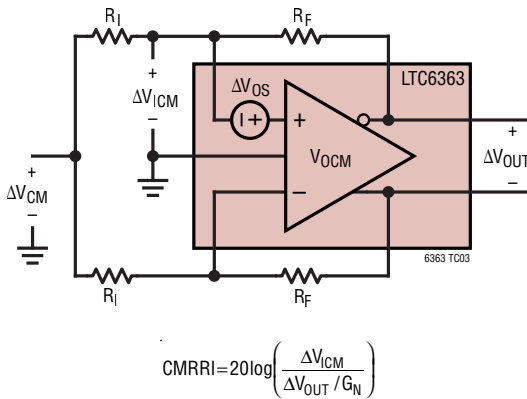


Figure 8. Specified LTC6363 CMRRI Is Referred to the Summing Junction

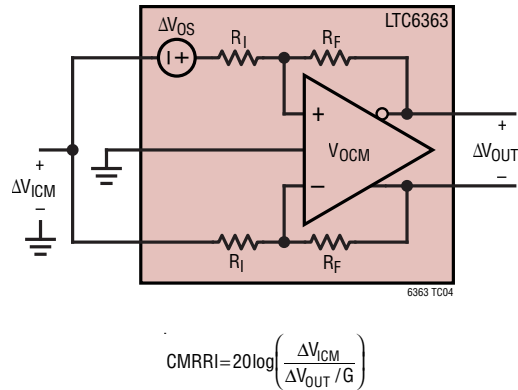


Figure 9. Specified LTC6363-0.5, LTC6363-1 and LTC6363-2 CMRRI Is Referred to the Input Pins of the Part

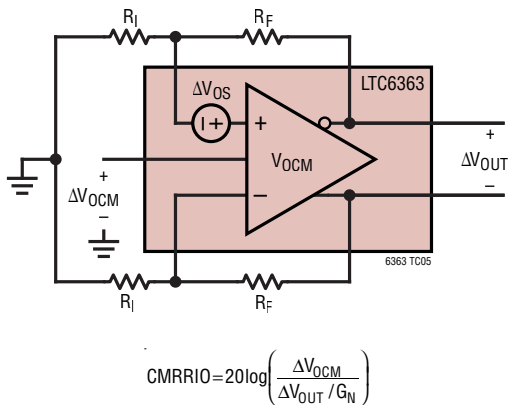


Figure 10. Specified LTC6363 CMRRIO Is Referred to the Summing Junction

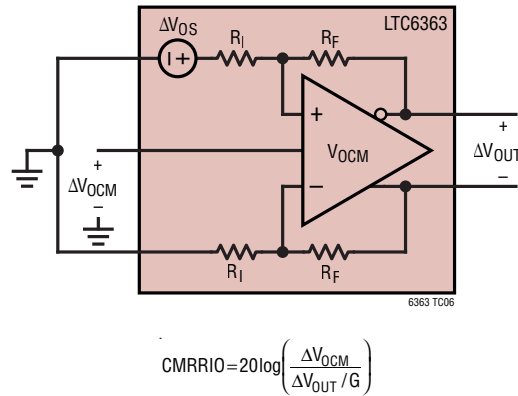


Figure 11. Specified LTC6363-0.5, LTC6363-1 and LTC6363-2 CMRRIO Is Referred to the Input Pins of the Part

LTC6363 Family

TEST CIRCUITS Noise gain = $G_N = 1 + \frac{R_F}{R_I}$, closed loop gain = $G = \frac{R_F}{R_I}$

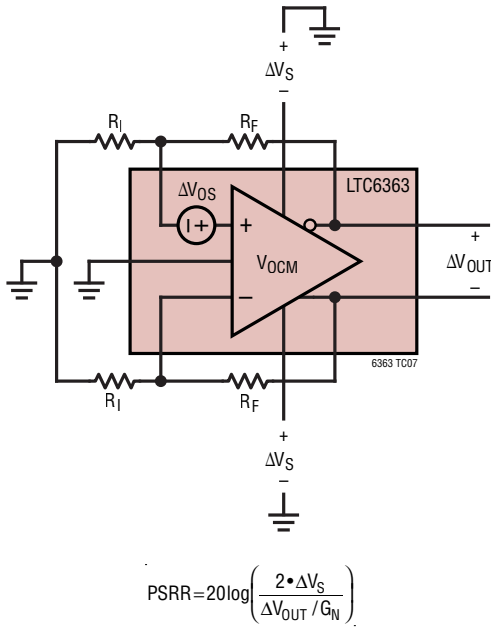


Figure 12. Specified LTC6363 PSRR Is Referred to the Summing Junction

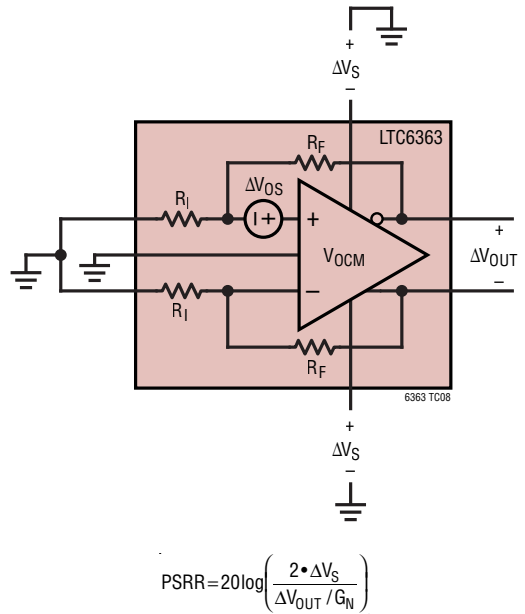


Figure 13. Specified LTC6363-0.5, LTC6363-1 and LTC6363-2 PSRR Is Referred to the Summing Junction

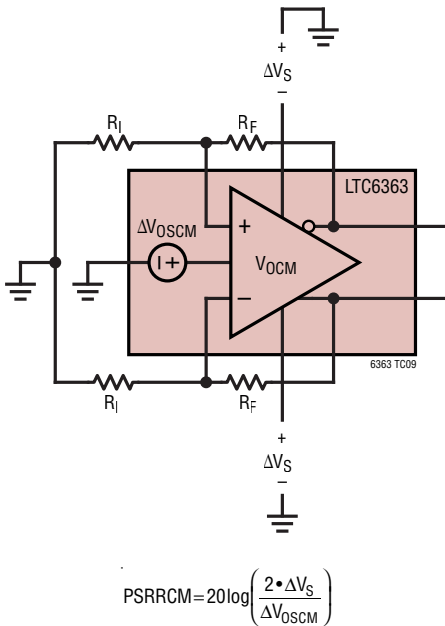


Figure 14. Specified LTC6363 PSRR_{CM} Is Defined as the Ratio of the Change in Supply Voltage to the Change in Common Mode Offset Voltage

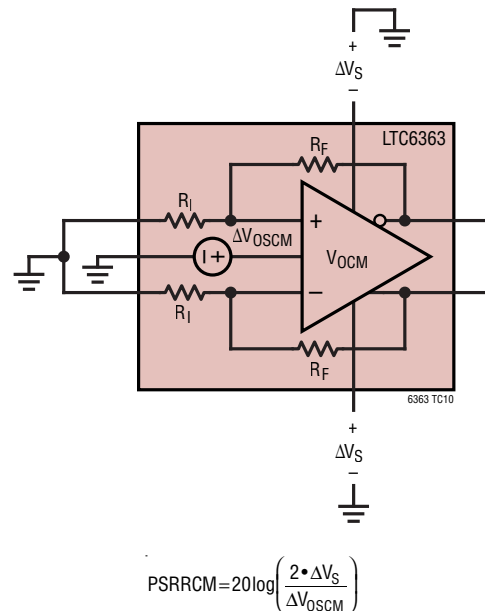


Figure 15. Specified LTC6363-0.5, LTC6363-1 and LTC6363-2 PSRR_{CM} Is Defined as the Ratio of the Change in Supply Voltage to the Change in Common Mode Offset Voltage

TEST CIRCUITS Noise gain = $G_N = 1 + \frac{R_F}{R_I}$, closed loop gain = $G = \frac{R_F}{R_I}$

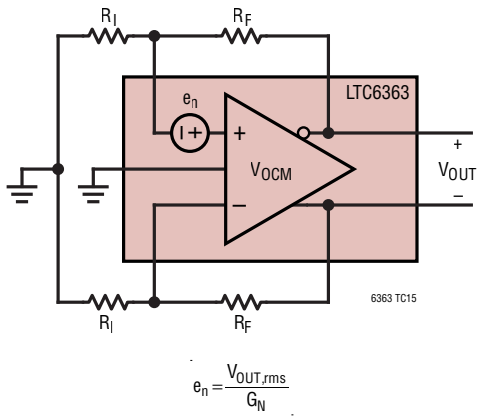


Figure 16. Specified LTC6363 e_n Is Referred to the Summing Junction

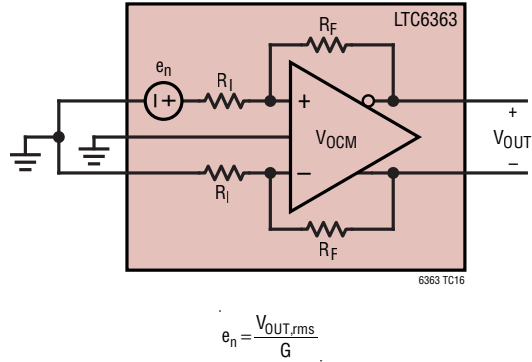
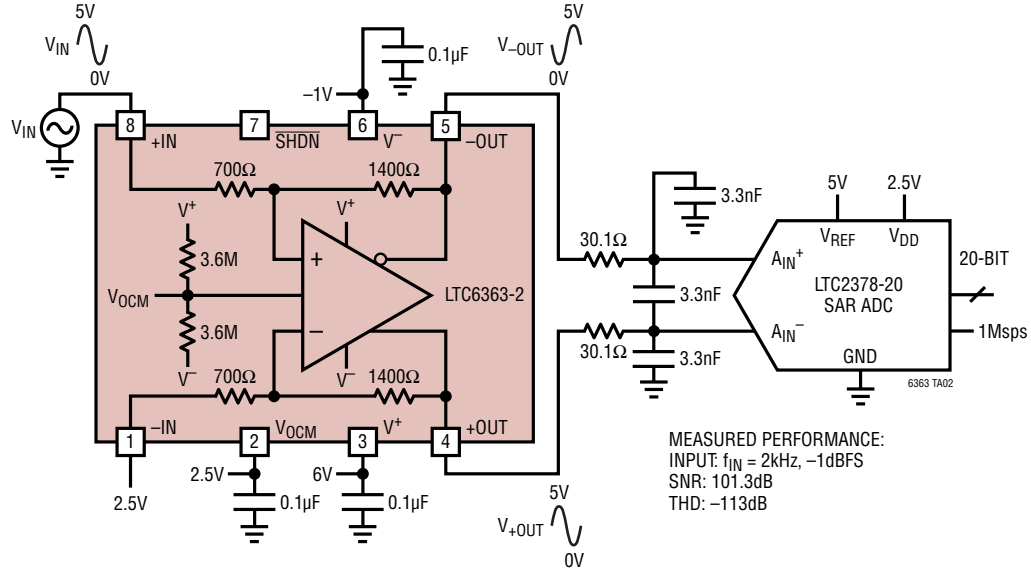


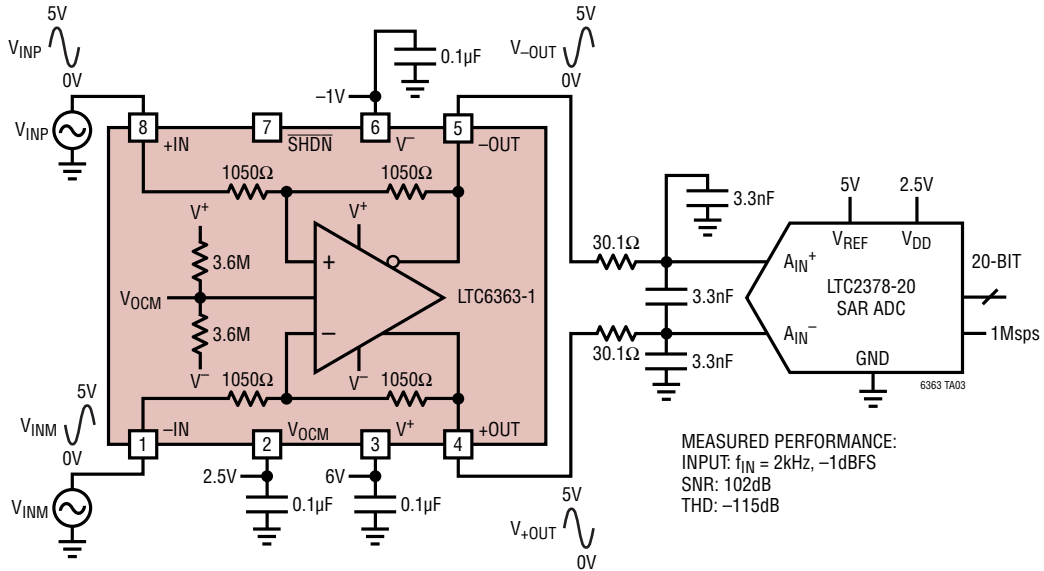
Figure 17. Specified LTC6363-0.5, LTC6363-1 and LTC6363-2 e_n Is Referred to the Input Pins of the Part

TYPICAL APPLICATIONS

Single-Ended-to-Differential Conversion of a 5V_{P-P}, 2.5V Referenced Input with Gain of $A_V = 2$ to Drive an ADC

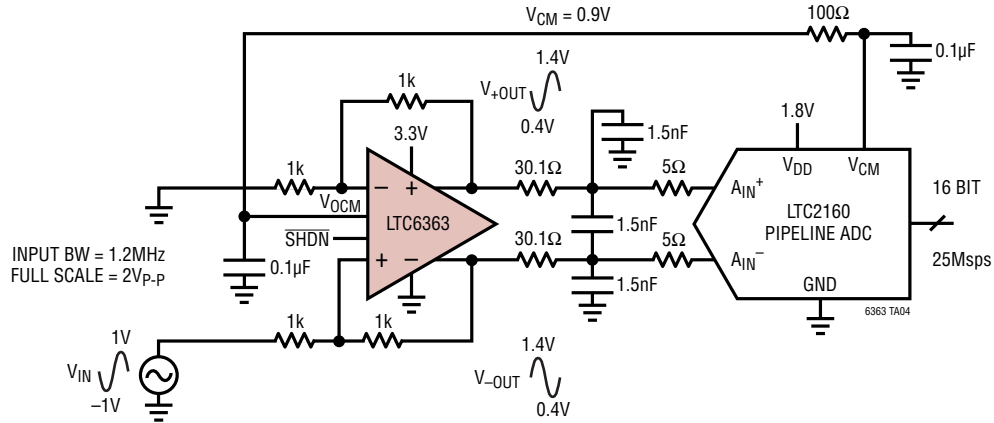


Differentially Driving an ADC with $\Delta V_{IN} = 10V_{P-P}$ and Gain of $A_V = 1$

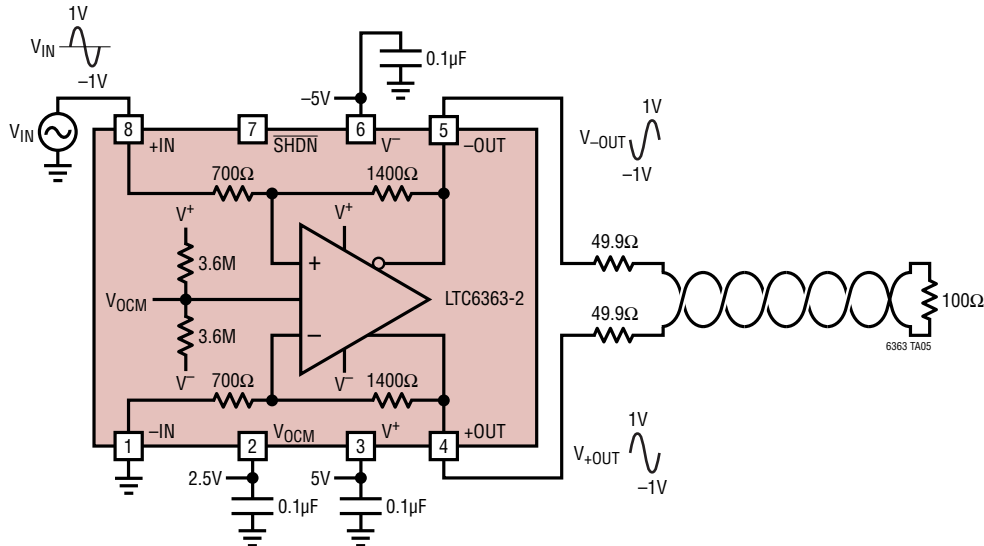


TYPICAL APPLICATIONS

Differentially Driving a Pipeline ADC with $A_V = 1$

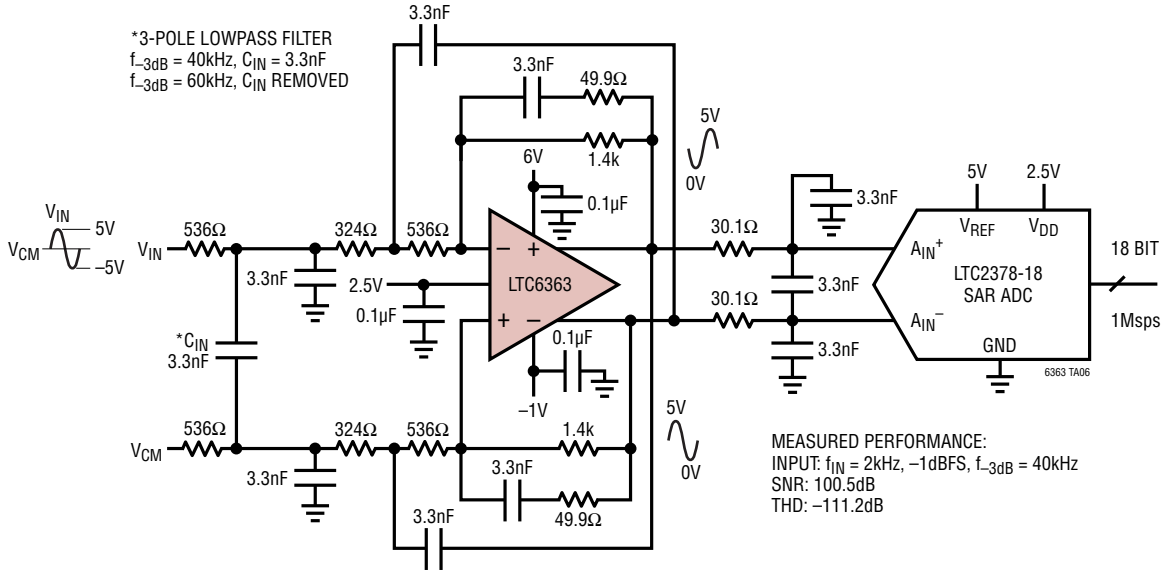


Differential Line Driver Connected in Gain of $A_V = 2$

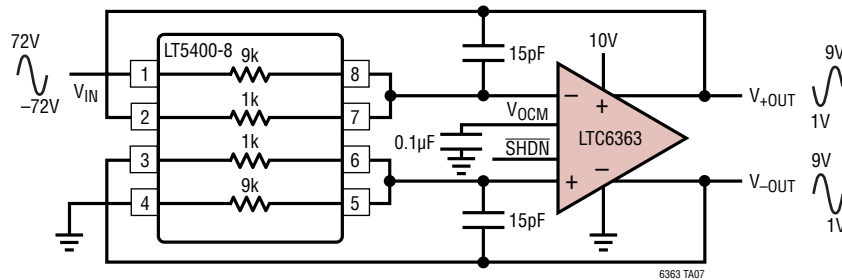


TYPICAL APPLICATIONS

LTC6363 Used as Lowpass Filter/Driver with 10V_{p-p} Single-Ended Input, Driving a SAR ADC

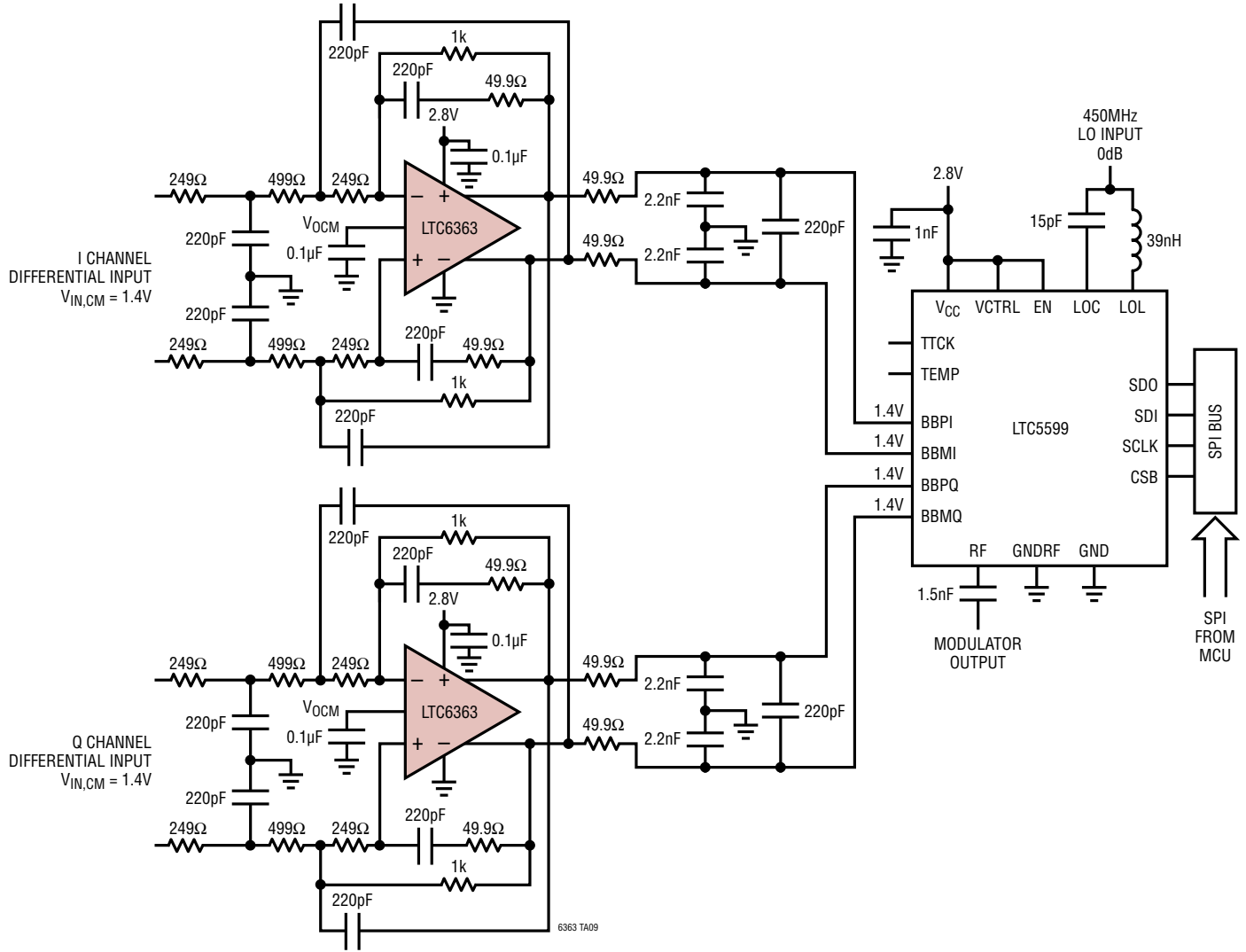


Differential $A_V = 1/9$ Configuration Using an LT[®]5400 Quad-Matched Resistor Network



TYPICAL APPLICATIONS

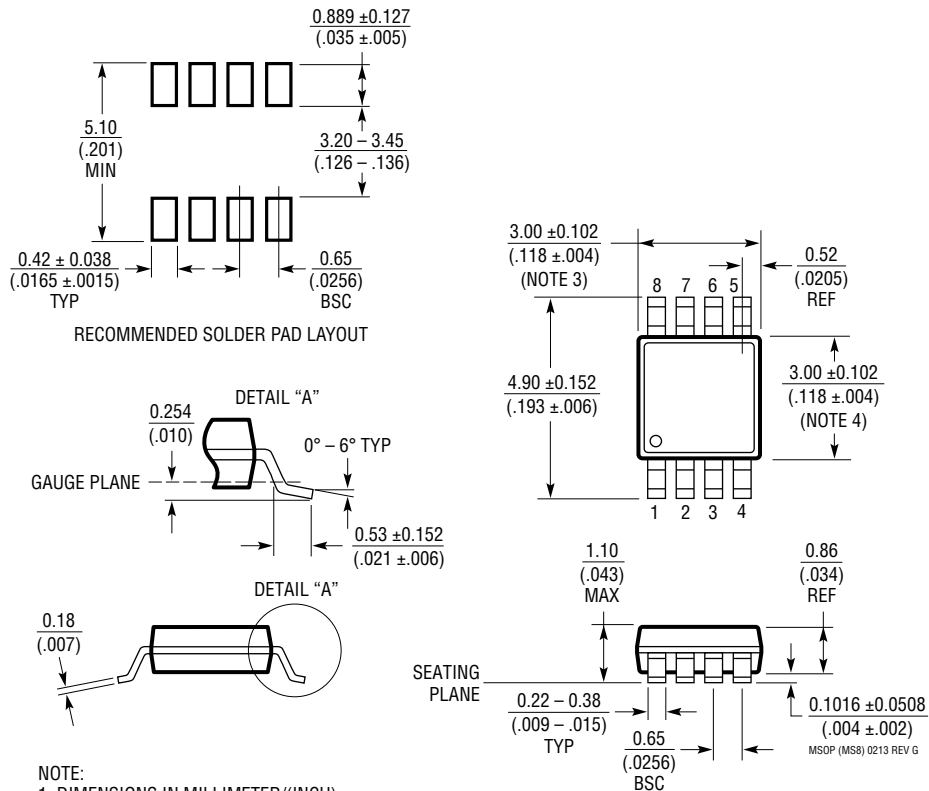
LTC6363 Low Power, Low Noise, I and Q Signal Amplifier/Filter and LTC5599 Modulator



PACKAGE DESCRIPTION

MS8 Package 8-Lead Plastic MSOP

(Reference LTC DWG # 05-08-1660 Rev G)

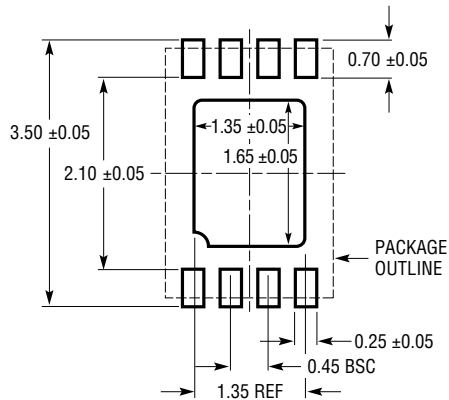


NOTE:

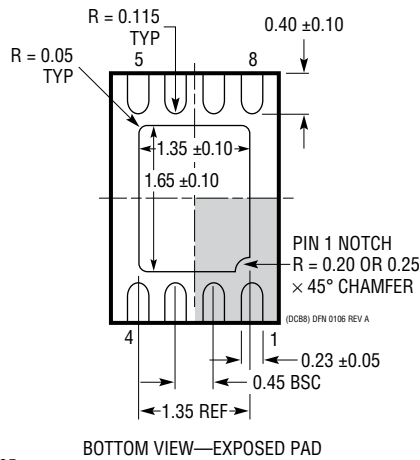
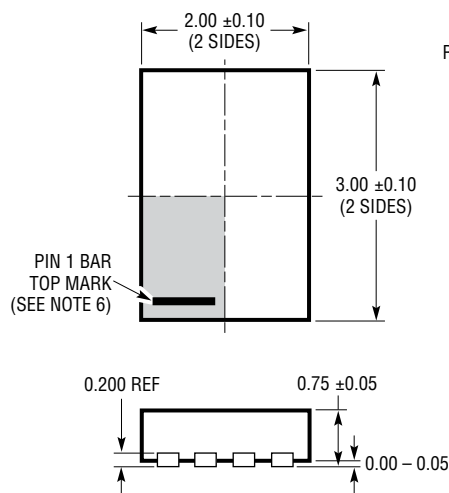
1. DIMENSIONS IN MILLIMETER/(INCH)
2. DRAWING NOT TO SCALE
3. DIMENSION DOES NOT INCLUDE MOLD FLASH, PROTRUSIONS OR GATE BURRS.
MOLD FLASH, PROTRUSIONS OR GATE BURRS SHALL NOT EXCEED 0.152mm ($.006^\circ$) PER SIDE
4. DIMENSION DOES NOT INCLUDE INTERLEAD FLASH OR PROTRUSIONS.
INTERLEAD FLASH OR PROTRUSIONS SHALL NOT EXCEED 0.152mm ($.006^\circ$) PER SIDE
5. LEAD COPLANARITY (BOTTOM OF LEADS AFTER FORMING) SHALL BE 0.102mm ($.004^\circ$) MAX

PACKAGE DESCRIPTION

DCB Package
8-Lead Plastic DFN (2mm × 3mm)
 (Reference LTC DWG # 05-08-1718 Rev A)



RECOMMENDED SOLDER PAD PITCH AND DIMENSIONS
 APPLY SOLDER MASK TO AREAS THAT ARE NOT SOLDERED

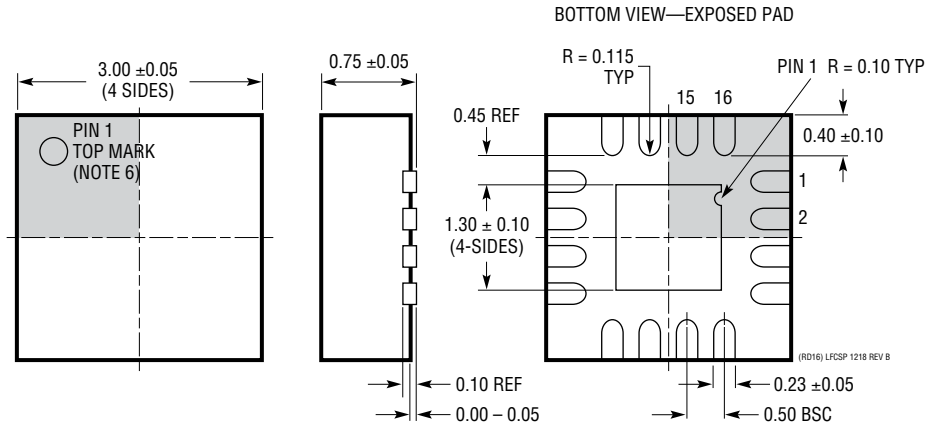


NOTE:

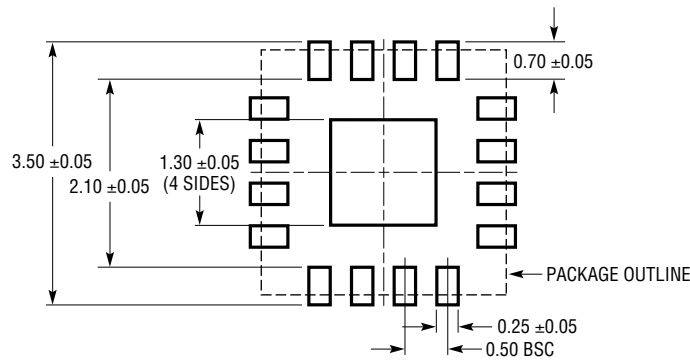
1. DRAWING IS NOT A JEDEC PACKAGE OUTLINE
2. DRAWING NOT TO SCALE
3. ALL DIMENSIONS ARE IN MILLIMETERS
4. DIMENSIONS OF EXPOSED PAD ON BOTTOM OF PACKAGE DO NOT INCLUDE MOLD FLASH. MOLD FLASH, IF PRESENT, SHALL NOT EXCEED 0.15mm ON ANY SIDE
5. EXPOSED PAD SHALL BE SOLDER PLATED
6. SHADED AREA IS ONLY A REFERENCE FOR PIN 1 LOCATION ON THE TOP AND BOTTOM OF PACKAGE

PACKAGE DESCRIPTION

RD Package 16-Lead Plastic LFCSP (3mm × 3mm) (Reference LTC DWG # 05-08-1648 Rev B)



- NOTE:
1. DRAWING NOT TO SCALE
 2. ALL DIMENSIONS ARE IN MILLIMETERS
 3. DIMENSIONS OF EXPOSED PAD ON BOTTOM OF PACKAGE DO NOT INCLUDE MOLD FLASH. MOLD FLASH, IF PRESENT, SHALL NOT EXCEED 0.15mm ON ANY SIDE
 4. EXPOSED PAD SHALL BE SOLDER PLATED
 5. SHADED AREA IS ONLY A REFERENCE FOR PIN 1 LOCATION ON THE TOP AND BOTTOM OF PACKAGE



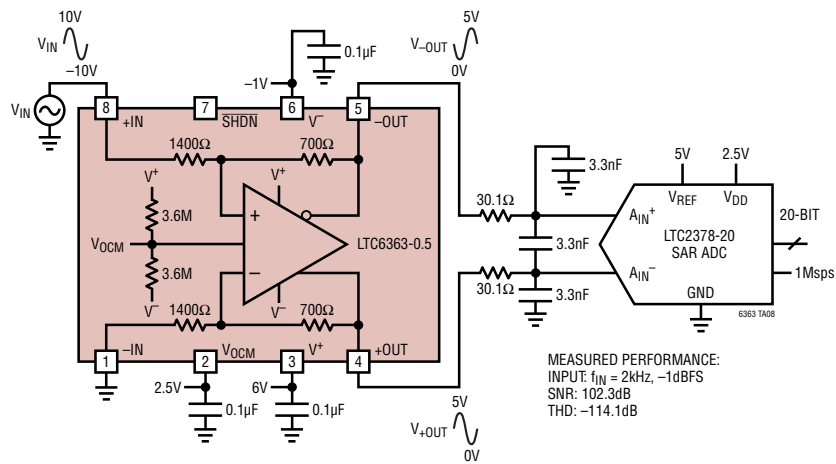
RECOMMENDED SOLDER PAD PITCH AND DIMENSIONS

REVISION HISTORY

| REV | DATE | DESCRIPTION | PAGE NUMBER |
|-----|-------|---|-------------|
| A | 11/16 | Common Mode Noise Voltage Density updated from $14\text{nv}/\sqrt{\text{Hz}}$ to $20\text{nv}/\sqrt{\text{Hz}}$. | 3 |
| | | Erroneous notes removed from Supply Current vs Supply Voltage graph. | 6 |
| | | $\overline{\text{SHDN}}$ pin description updated. | 10, 11 |
| | | Web links updated. | All |
| | | Revision History added. | 21 |
| B | 01/18 | Family of parts added. | All |
| C | 02/19 | Added LFCSP Package | All |

TYPICAL APPLICATION

Single-Ended-to-Differential Conversion of a 20V_{p-p} Ground-Referenced Input with Gain of $A_V = 0.5$ to Drive an ADC



RELATED PARTS

| PART NUMBER | DESCRIPTION | COMMENTS |
|---|---|--|
| Fully Differential Amplifiers | | |
| LTC6362 | Precision, Low Power Rail-to-Rail Input/Output Differential Op Amp/SAR ADC Driver | 1mA, -116dBc Distortion at 1kHz, $8V_{p-p}$ Output |
| ADA4940-1/ADA4940-2 | Ultralow Power, Low Distortion, Fully Differential ADC Drivers | 1.25mA, -96dBc Distortion at 1MHz, $2V_{p-p}$ Output |
| LTC1992/LTC1992-X | 3MHz to 4MHz Fully Differential Input/Output Amplifiers | Internal Feedback Resistors Available ($G = 1, 2, 5, 10$) |
| LT1994 | 70MHz Low Noise, Low Distortion Fully Differential Input/Output Amplifier/Driver | 13mA, -94dBc Distortion at 1MHz, $2V_{p-p}$ Output |
| AD8475 | Precision, Selectable Gain Funnel Amplifier | Internal Feedback Resistors ($G = 0.4, 0.8$) |
| AD8476 | Low Power, Unity Gain ADC Driver/Amplifier | $330\mu\text{A}$, -126dBc Distortion at 10kHz, $1\text{ppm}/^\circ\text{C}$ Gain Drift |
| Operational Amplifiers | | |
| LT6350 | Low Noise, Single-Ended to Differential Converter/ADC Driver | 4.8mA , -97dBc Distortion at 100kHz, $4V_{p-p}$ Output |
| LTC6246/LTC6247/LTC6248 | Single/Dual/Quad 180MHz Rail-to-Rail Low Power Op Amps | 1mA/Amplifier, $4.2\text{nV}/\sqrt{\text{Hz}}$ |
| Matched Resistor Networks | | |
| LT5400 | Precision Quad Matched Resistor Networks | Ratios = 1:1, 1:4, 1:5, 1:9, 1:10 |
| ADCs | | |
| LTC2378-20 | 20-Bit, 1Msps, Low Power SAR ADC with 0.5ppm INL | 2.5V Supply, Differential Input, 104dB SNR, $\pm 5V$ Input Range, DGC, Pin Compatible Family in MSOP-16 and $4\text{mm} \times 3\text{mm}$ DFN-16 Packages |
| LTC2379-18/LTC2378-18/LTC2377-18/LTC2376-18 | 18-Bit, 1.6Msps/1Msps/500ksps/250ksps Serial, Low Power ADC | 2.5V Supply, Differential Input, 101.2dB SNR, $\pm 5V$ Input Range, DGC, Pin Compatible Family in MSOP-16 and $4\text{mm} \times 3\text{mm}$ DFN-16 Packages |
| AD4020 | 20-Bit, 1.8Msps, Low Power, Precision SAR ADC | 1.8V Supply, Differential Input, 100.5dB SNR, $\pm 5V$ Input Range, $3\text{mm} \times 3\text{mm}$ LFCSP and MSOP-10 Packages |
| AD4003/AD4007/AD4011 | 18-Bit, 2Msps/1Msps/500ksps Precision, Differential SAR ADCs | 1.8V Supply, Differential Input, 100.5dB SNR, $\pm 5V$ Input Range, $3\text{mm} \times 3\text{mm}$ LFCSP and MSOP-10 Packages |
| AD7691 | 18-Bit, 1.5LSB INL, 250ksps PulSAR Differential ADC | 2.3V to 5V Supply, Differential Input, 101.5dB SNR, $\pm 5V$ Input Range, $3\text{mm} \times 3\text{mm}$ LFCSP and MSOP-10 Packages |
| AD7984 | 18-Bit, 1.33Msps PulSAR 10.5mW ADC in MSOP/LFCSP | 2.5V Supply, Differential Input, 98.5dB SNR, $\pm 5V$ Input Range, $3\text{mm} \times 3\text{mm}$ LFCSP and MSOP-10 Packages |