

Monolithic 1.5A, 1.25MHz Step-Down Switching Regulators

FEATURES

- 1.5A Switch in a Small MSOP Package
- Constant 1.25MHz Switching Frequency
- High Power Exposed Pad (MS8E) Package
- Wide Operating Voltage Range: 3V to 25V
- High Efficiency 0.22Ω Switch
- 1.2V Feedback Reference Voltage
- Fixed Output Voltages of 1.8V, 2.5V, 3.3V, 5V
- 2% Overall Output Tolerance
- Uses Low Profile Surface Mount Components
- Low Shutdown Current: 6μA
- Synchronizable to 2MHz
- Current Mode Loop Control
- Constant Maximum Switch Current Rating at All Duty Cycles*

APPLICATIONS

- DSL Modems
- Portable Computers
- Wall Adapters
- Battery-Powered Systems
- Distributed Power

DESCRIPTION

The **LT[®]1767** is a 1.25MHz monolithic buck switching regulator. A high efficiency 1.5A, 0.22Ω switch is included on the die together with all the control circuitry required to complete a high frequency, current mode switching regulator. Current mode control provides fast transient response and excellent loop stability.

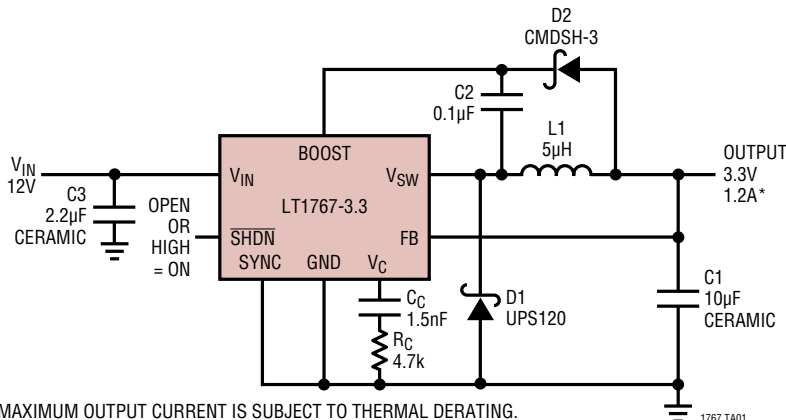
New design techniques achieve high efficiency at high switching frequencies over a wide operating range. A low dropout internal regulator maintains consistent performance over a wide range of inputs from 24V systems to Li-Ion batteries. An operating supply current of 1mA improves efficiency, especially at lower output currents. Shutdown reduces quiescent current to 6μA. Maximum switch current remains constant at all duty cycles. Synchronization allows an external logic level signal to increase the internal oscillator from 1.5MHz to 2MHz.

The LT1767 is available in an 8-pin MSOP fused lead-frame package and a low thermal resistance exposed pad package. Full cycle-by-cycle current limit and thermal shutdown are provided. High frequency operation allows the reduction of input and output filtering components and permits the use of chip inductors.

LT, LT, LTC, LTM, Linear Technology, the Linear logo and Burst Mode are registered trademarks of Linear Technology Corporation. All other trademarks are the property of their respective owners. Protected by U.S. Patents, including 6611131, 6498466.

TYPICAL APPLICATION

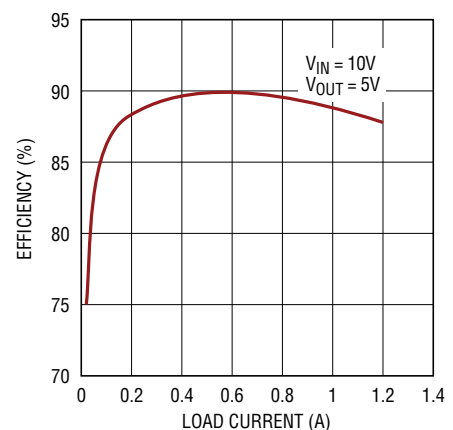
12V to 3.3V Step-Down Converter



*MAXIMUM OUTPUT CURRENT IS SUBJECT TO THERMAL DERATING.

1767 TA01

Efficiency vs Load Current



1767 TA01a

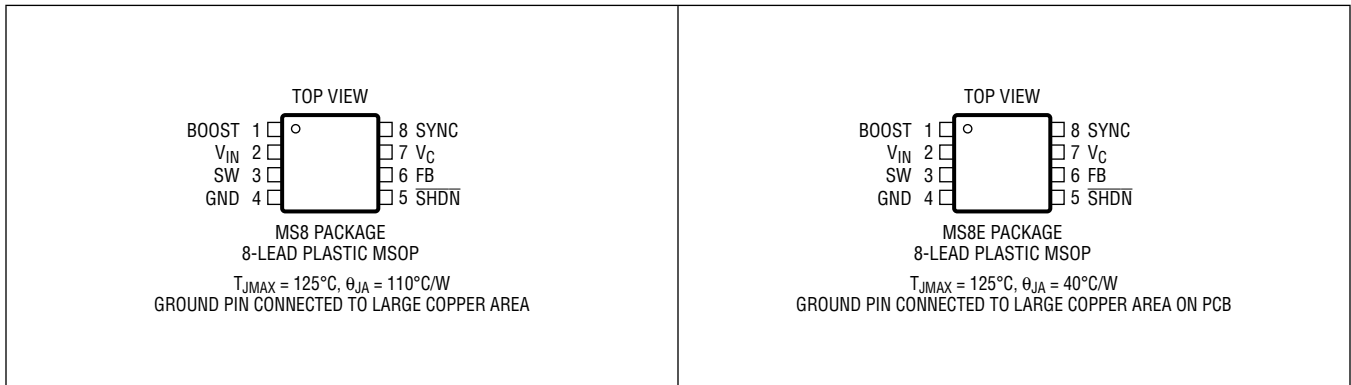
1767fb

LT1767

ABSOLUTE MAXIMUM RATINGS (Note 1)

| | | | |
|----------------------------|-----|-----------------------------------------------|----------------|
| Input Voltage | 25V | SYNC Pin Current | 1mA |
| BOOST Pin Above SW | 20V | Operating Junction Temperature Range (Note 2) | |
| Max BOOST Pin Voltage..... | 35V | LT1767E | -40°C to 125°C |
| SHDN Pin..... | 25V | Storage Temperature Range | -65°C to 150°C |
| FB Pin Voltage | 6V | Lead Temperature (Soldering, 10 sec) | 300°C |
| FB Pin Current..... | 1mA | | |

PIN CONFIGURATION



ORDER INFORMATION

| LEAD FREE FINISH | TAPE AND REEL | PART MARKING | PACKAGE DESCRIPTION | TEMPERATURE RANGE |
|---------------------|-----------------------|--------------|----------------------------------|-------------------|
| LT1767EMS8#PBF | LT1767EMS8#TRPBF | LTLS | 8-Lead Plastic MSOP | -40°C to 125°C |
| LT1767EMS8-1.8#PBF | LT1767EMS8-1.8#TRPBF | LTWG | 8-Lead Plastic MSOP | -40°C to 125°C |
| LT1767EMS8-2.5#PBF | LT1767EMS8-2.5#TRPBF | LTWD | 8-Lead Plastic MSOP | -40°C to 125°C |
| LT1767EMS8-3.3#PBF | LT1767EMS8-3.3#TRPBF | LTWE | 8-Lead Plastic MSOP | -40°C to 125°C |
| LT1767EMS8-5#PBF | LT1767EMS8-5#TRPBF | LTWF | 8-Lead Plastic MSOP | -40°C to 125°C |
| LT1767EMS8E#PBF | LT1767EMS8E#TRPBF | LTZG | 8-Lead Plastic MSOP, Exposed Pad | -40°C to 125°C |
| LT1767EMS8E-1.8#PBF | LT1767EMS8E-1.8#TRPBF | LTZH | 8-Lead Plastic MSOP, Exposed Pad | -40°C to 125°C |
| LT1767EMS8E-2.5#PBF | LT1767EMS8E-2.5#TRPBF | LTZJ | 8-Lead Plastic MSOP, Exposed Pad | -40°C to 125°C |
| LT1767EMS8E-3.3#PBF | LT1767EMS8E-3.3#TRPBF | LTZK | 8-Lead Plastic MSOP, Exposed Pad | -40°C to 125°C |
| LT1767EMS8E-5#PBF | LT1767EMS8E-5#TRPBF | LTZL | 8-Lead Plastic MSOP, Exposed Pad | -40°C to 125°C |

Consult LTC Marketing for parts specified with wider operating temperature ranges.

Consult LTC Marketing for information on nonstandard lead based finish parts.

For more information on lead free part marking, go to: <http://www.linear.com/leadfree/>

For more information on tape and reel specifications, go to: <http://www.linear.com/tapeandreeel/>

ELECTRICAL CHARACTERISTICS The ● denotes the specifications which apply over the full operating temperature range, otherwise specifications are at $T_A = 25^\circ\text{C}$. $V_{IN} = 15\text{V}$, $V_C = 0.8\text{V}$, Boost = $V_{IN} + 5\text{V}$, $\overline{\text{SHDN}}$, SYNC and switch open unless otherwise noted.

| PARAMETER | CONDITIONS | | MIN | TYP | MAX | UNITS | |
|--------------------------------------------------------|-----------------------------------------------------------------------------------------------------------------------------------|--------------|------|-------|------|------------------|---|
| Maximum Switch Current Limit | $T_A = 0^\circ\text{C}$ to 125°C $T_A < 0^\circ\text{C}$ | | 1.5 | 2 | 3 | A | |
| | | | 1.3 | | 3 | A | |
| Oscillator Frequency | $3.3\text{V} < V_{IN} < 25\text{V}$ | ● | 1.1 | 1.25 | 1.4 | MHz | |
| Switch On Voltage Drop | $I_{SW} = -1.5\text{A}$, $0^\circ\text{C} \leq T_A \leq 125^\circ\text{C}$ and -1.3A , $T_A < 0^\circ\text{C}$ | | | 330 | 400 | mV | |
| | | | | | 500 | mV | |
| V_{IN} Undervoltage Lockout | (Note 3) | ● | 2.47 | 2.6 | 2.73 | V | |
| V_{IN} Supply Current | $V_{FB} = V_{NOM} + 17\%$ | ● | | 1 | 1.3 | mA | |
| Shutdown Supply Current | $V_{\overline{\text{SHDN}}} = 0\text{V}$, $V_{IN} = 25\text{V}$, $V_{SW} = 0\text{V}$ | ● | | 6 | 20 | μA | |
| Feedback Voltage | $3\text{V} < V_{IN} < 25\text{V}$, $0.4\text{V} < V_C < 0.9\text{V}$ (Note 3) | LT1767 (Adj) | ● | 1.182 | 1.2 | 1.218 | V |
| | | | ● | 1.176 | | 1.224 | V |
| | | LT1767-1.8 | ● | 1.764 | 1.8 | 1.836 | V |
| | | LT1767-2.5 | ● | 2.45 | 2.5 | 2.55 | V |
| | | LT1767-3.3 | ● | 3.234 | 3.3 | 3.366 | V |
| | | ● | 4.9 | 5 | 5.1 | V | |
| FB Input Current | LT1767 (Adj) | ● | | -0.25 | -0.5 | μA | |
| FB Input Resistance | LT1767-1.8 | ● | 10.5 | 15 | 21 | $\text{k}\Omega$ | |
| | LT1767-2.5 | ● | 14.7 | 21 | 30 | $\text{k}\Omega$ | |
| | LT1767-3.3 | ● | 19 | 27.5 | 39 | $\text{k}\Omega$ | |
| | LT1767-5 | ● | 29 | 42 | 60 | $\text{k}\Omega$ | |
| Error Amp Voltage Gain | $0.4\text{V} < V_C < 0.9\text{V}$ | | 150 | 350 | | | |
| Error Amp Transconductance | $\Delta I_{VC} = \pm 10\mu\text{A}$ | ● | 500 | 850 | 1300 | μMho | |
| V_C Pin Source Current | $V_{FB} = V_{NOM} - 17\%$ | ● | 80 | 120 | 160 | μA | |
| V_C Pin Sink Current | $V_{FB} = V_{NOM} + 17\%$ | ● | 70 | 110 | 180 | μA | |
| V_C Pin to Switch Current Transconductance | | | | 2.5 | | A/V | |
| V_C Pin Minimum Switching Threshold | Duty Cycle = 0% | | | 0.35 | | V | |
| V_C Pin 1.5A I_{SW} Threshold | | | | 0.9 | | V | |
| Maximum Switch Duty Cycle | $V_C = 1.2\text{V}$, $I_{SW} = 400\text{mA}$ | | 85 | 90 | | % | |
| | | ● | 80 | | | % | |
| Minimum Boost Voltage Above Switch | $I_{SW} = -1.5\text{A}$, $0^\circ\text{C} \leq T_A \leq 125^\circ\text{C}$ and -1.3A , $T_A < 0^\circ\text{C}$ | ● | | 1.8 | 2.7 | V | |
| Boost Current | $I_{SW} = -0.5\text{A}$ (Note 4) | ● | | 10 | 15 | mA | |
| | $I_{SW} = -1.5\text{A}$, $0^\circ\text{C} \leq T_A \leq 125^\circ\text{C}$ and -1.3A , $T_A < 0^\circ\text{C}$ (Note 4) | ● | | 30 | 45 | mA | |
| $\overline{\text{SHDN}}$ Threshold Voltage | | ● | 1.27 | 1.33 | 1.40 | V | |
| $\overline{\text{SHDN}}$ Input Current (Shutting Down) | $\overline{\text{SHDN}} = 60\text{mV}$ Above Threshold | ● | -7 | -10 | -13 | μA | |
| $\overline{\text{SHDN}}$ Threshold Current Hysteresis | $\overline{\text{SHDN}} = 100\text{mV}$ Below Threshold | ● | 4 | 7 | 10 | μA | |
| SYNC Threshold Voltage | | | | 1.5 | 2.2 | V | |
| SYNC Input Frequency | | | 1.5 | | 2 | MHz | |
| SYNC Pin Resistance | $I_{\text{SYNC}} = 1\text{mA}$ | | | 20 | | $\text{k}\Omega$ | |

ELECTRICAL CHARACTERISTICS

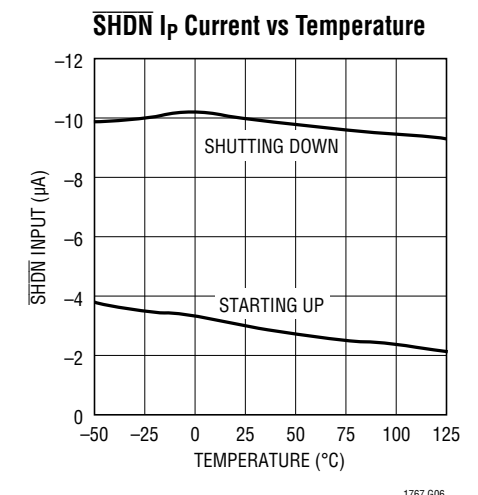
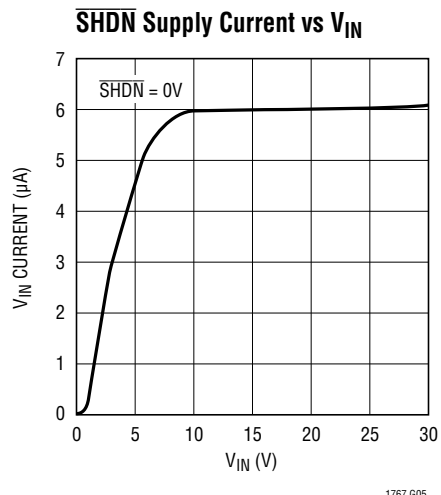
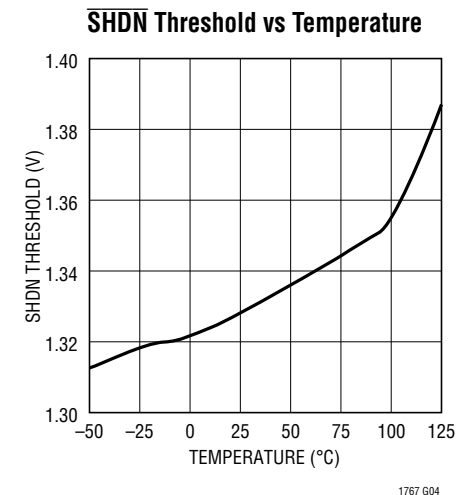
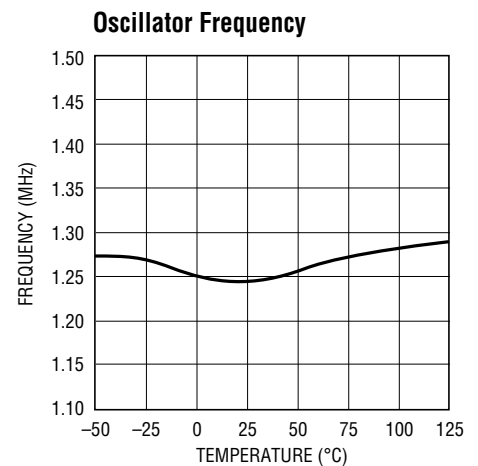
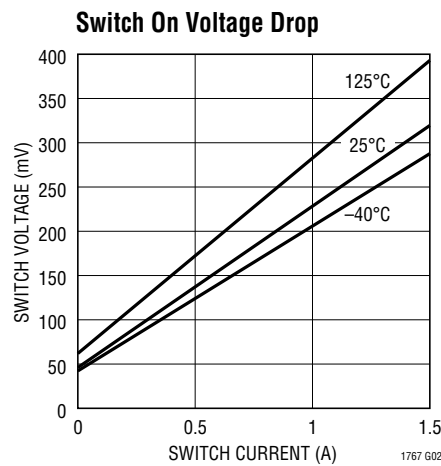
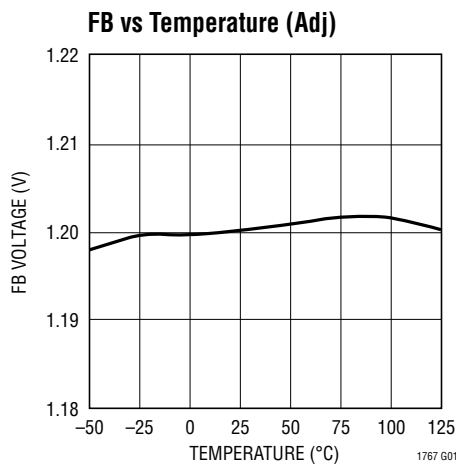
Note 1: Stresses beyond those listed under Absolute Maximum Ratings may cause permanent damage to the device. Exposure to any Absolute Maximum Rating condition for extended periods may affect device reliability and lifetime.

Note 2: The LT1767E is guaranteed to meet performance specifications from 0°C to 125°C. Specifications over the -40°C to 125°C operating junction temperature range are assured by design, characterization and correlation with statistical process controls.

Note 3: Minimum input voltage is defined as the voltage where the internal regulator enters lockout. Actual minimum input voltage to maintain a regulated output will depend on output voltage and load current. See Applications Information.

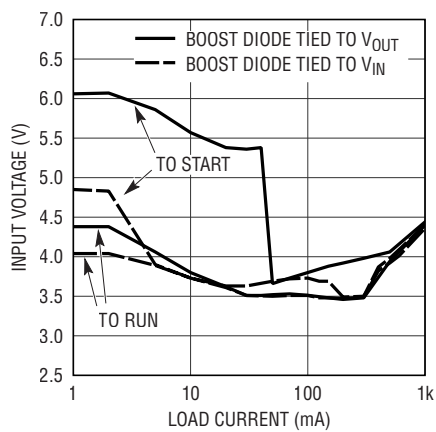
Note 4: Current flows into the BOOST pin only during the on period of the switch cycle.

TYPICAL PERFORMANCE CHARACTERISTICS $T_A = 25^\circ\text{C}$, unless otherwise noted.

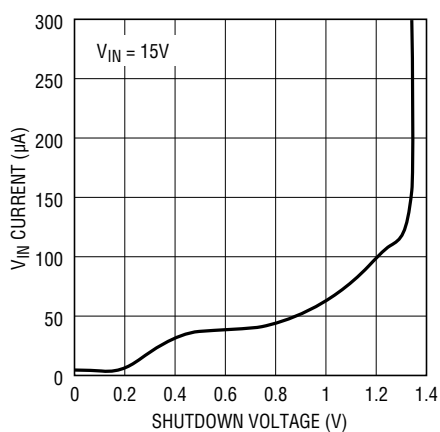


TYPICAL PERFORMANCE CHARACTERISTICS $T_A = 25^\circ\text{C}$, unless otherwise noted.

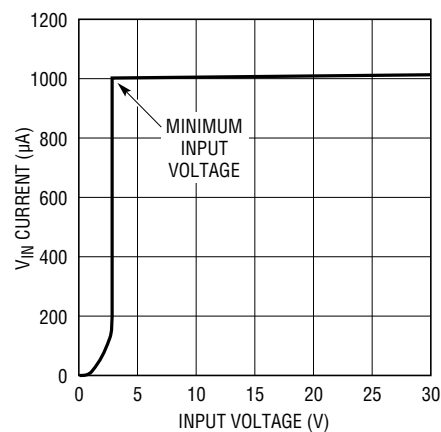
Minimum Input Voltage, 3.3V Out



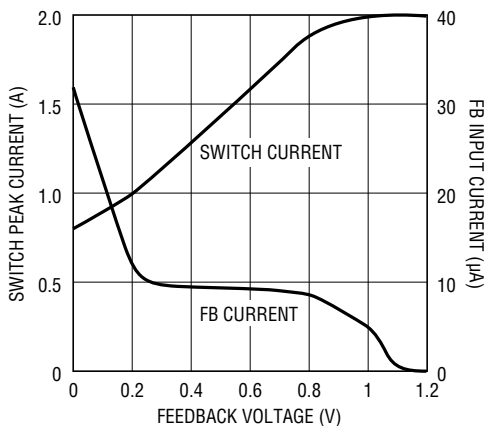
SHDN Supply Current



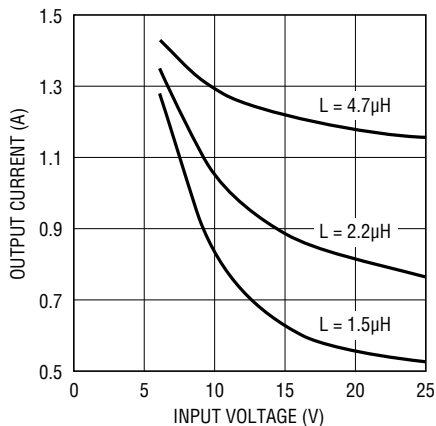
Input Supply Current



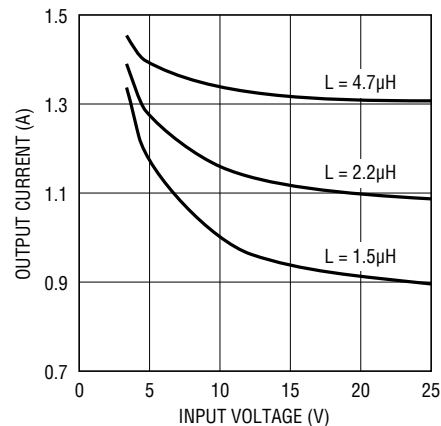
Current Limit Foldback



Maximum Load Current, VOUT = 5V



Maximum Load Current, VOUT = 2.5V



PIN FUNCTIONS

FB: The feedback pin is used to set output voltage using an external voltage divider that generates 1.2V at the pin with the desired output voltage. The fixed voltage 1.8V, 2.5V, 3.3V and 5V versions have the divider network included internally and the FB pin is connected directly to the output. If required, the current limit can be reduced during start up or short-circuit when the FB pin is below 0.5V (see the Current Limit Foldback graph in the Typical Performance Characteristics section). An impedance of less than 5k Ω (adjustable part only) at the FB pin is needed for this feature to operate.

BOOST: The BOOST pin is used to provide a drive voltage, higher than the input voltage, to the internal bipolar NPN power switch. Without this added voltage, the typical switch voltage loss would be about 1.5V. The additional boost voltage allows the switch to saturate and voltage loss approximates that of a 0.22 Ω FET structure.

V_{IN}: This is the collector of the on-chip power NPN switch. This pin powers the internal circuitry and internal regulator. At NPN switch on and off, high di/dt edges occur on this pin. Keep the external bypass capacitor and catch diode close to this pin. All trace inductance in this path will create a voltage spike at switch off, adding to the V_{CE} voltage across the internal NPN.

GND: The GND pin acts as the reference for the regulated output, so load regulation will suffer if the “ground” end of the load is not at the same voltage as the GND pin of the IC. This condition will occur when load current or other currents flow through metal paths between the GND pin and the load ground point. Keep the ground path short between the GND pin and the load and use a ground plane when possible. Keep the path between the input bypass

and the GND pin short. The GND pin of the MS8 package is directly attached to the internal tab. This pin should be attached to a large copper area to improve thermal resistance. The exposed pad of the MS8E package is also connected to GND. This should be soldered to a large copper area to improve its thermal resistance.

V_{SW}: The switch pin is the emitter of the on-chip power NPN switch. This pin is driven up to the input pin voltage during switch on time. Inductor current drives the switch pin negative during switch off time. Negative voltage must be clamped with an external catch diode with a V_{BR} < 0.8V.

SYNC: The sync pin is used to synchronize the internal oscillator to an external signal. It is directly logic compatible and can be driven with any signal between 20% and 80% duty cycle. The synchronizing range is equal to *initial* operating frequency, up to 2MHz. See Synchronization in Applications Information section for details. When not in use, this pin should be grounded.

SHDN: The shutdown pin is used to turn off the regulator and to reduce input drain current to a few microamperes. The 1.33V threshold can function as an accurate undervoltage lockout (UVLO), preventing the regulator from operating until the input voltage has reached a predetermined level. Float or pull high to put the regulator in the operating mode.

V_C: The V_C pin is the output of the error amplifier and the input of the peak switch current comparator. It is normally used for frequency compensation, but can do double duty as a current clamp or control loop override. This pin sits at about 0.35V for very light loads and 0.9V at maximum load. It can be driven to ground to shut off the output.

BLOCK DIAGRAM

The LT1767 is a constant frequency, current mode buck converter. This means that there is an internal clock and two feedback loops that control the duty cycle of the power switch. In addition to the normal error amplifier, there is a current sense amplifier that monitors switch current on a cycle-by-cycle basis. A switch cycle starts with an oscillator pulse which sets the R_S flip-flop to turn the switch on. When switch current reaches a level set by the inverting input of the comparator, the flip-flop is reset and the switch turns off. Output voltage control is obtained by using the output of the error amplifier to set the switch current trip point. This technique means that the error amplifier commands current to be delivered to the output rather than voltage. A voltage fed system will have low phase shift up to the resonant frequency of the inductor and output capacitor,

then an abrupt 180° shift will occur. The current fed system will have 90° phase shift at a much lower frequency, but will not have the additional 90° shift until well beyond the LC resonant frequency. This makes it much easier to frequency compensate the feedback loop and also gives much quicker transient response.

High switch efficiency is attained by using the BOOST pin to provide a voltage to the switch driver which is higher than the input voltage, allowing switch to be saturated. This boosted voltage is generated with an external capacitor and diode. A comparator connected to the shutdown pin disables the internal regulator, reducing supply current.

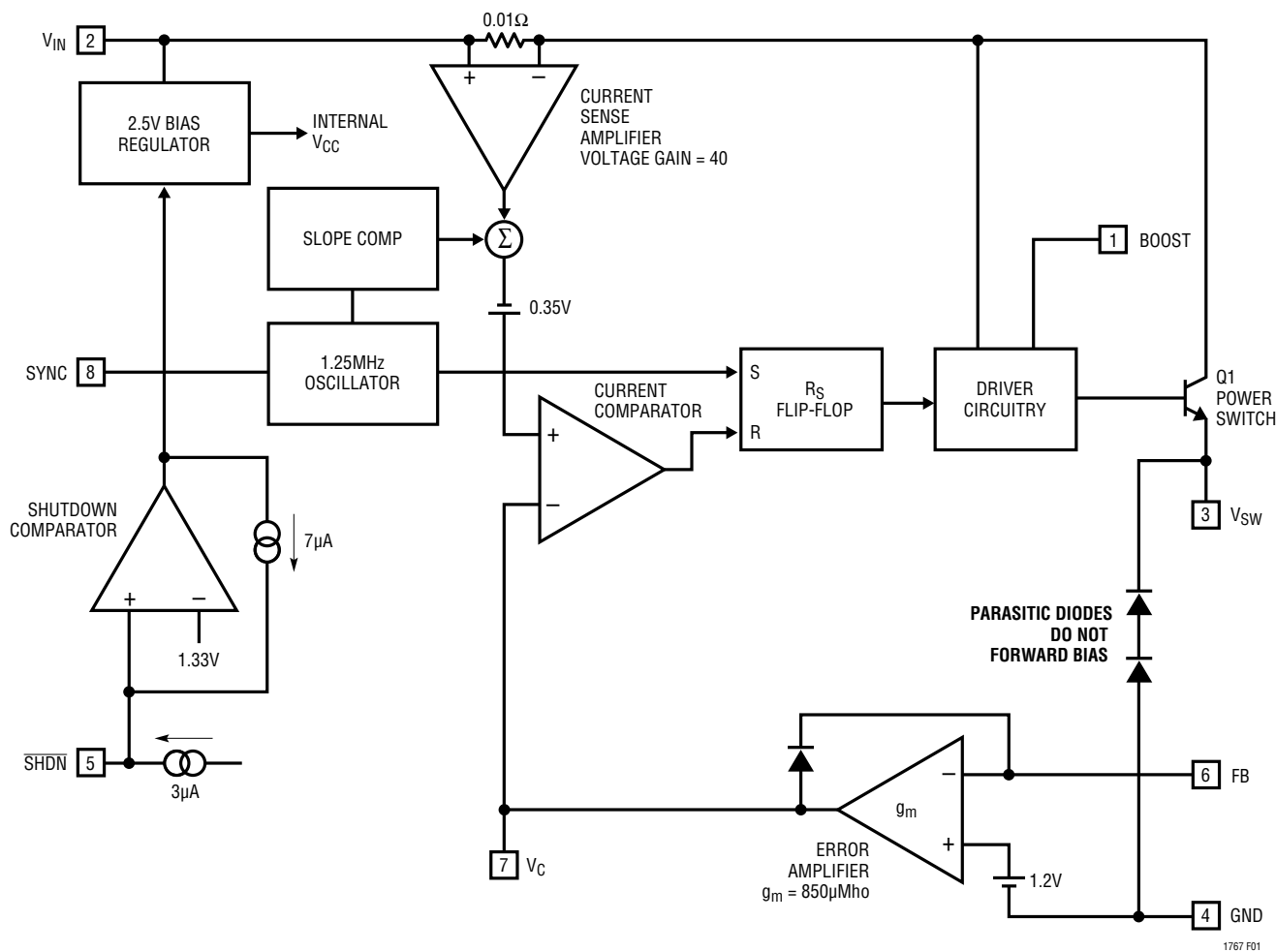


Figure 1. Block Diagram

APPLICATIONS INFORMATION

FB RESISTOR NETWORK

If an output voltage of 1.8V, 2.5V, 3.3V or 5V is required, the respective fixed option part, -1.8, -2.5, -3.3 or -5, should be used. The FB pin is tied directly to the output; the necessary resistive divider is already included on the part. For other voltage outputs, the adjustable part should be used and an external resistor divider added. The suggested resistor (R2) from FB to ground is 10k. This reduces the contribution of FB input bias current to output voltage to less than 0.25%. The formula for the resistor (R1) from V_{OUT} to FB is:

$$R1 = \frac{R2(V_{OUT} - 1.2)}{1.2 - R2(0.25\mu A)}$$

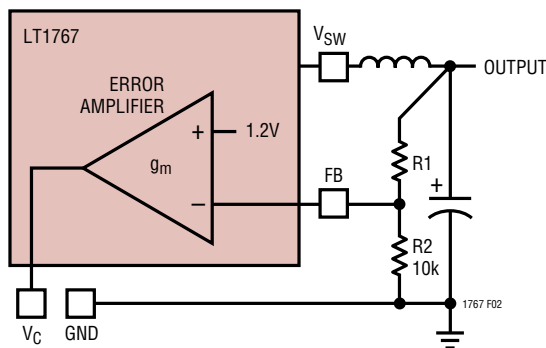


Figure 2. Feedback Network

INPUT VOLTAGE RANGE

The input voltage range for LT1767 applications depends on the output voltage, the absolute maximum ratings of the V_{IN} and BOOST pins, and the operating frequency.

The minimum input voltage is determined by either the LT1767's minimum operating voltage of 2.73V or by its maximum duty cycle. The duty cycle is the fraction of time that the internal switch is on and is determined by the input and output voltages:

$$DC = \frac{V_{OUT} + V_D}{V_{IN} - V_{SW} + V_D}$$

where V_D is the forward voltage drop of the catch diode (~0.4V) and V_{SW} is the voltage drop of the internal switch

(~0.4V at maximum load). This leads to a minimum input voltage of:

$$V_{IN(MIN)} = \frac{V_{OUT} + V_D}{DC_{MAX}} - V_D + V_{SW}$$

with $DC_{MAX} = 0.80$ at output current below 0.5A, and $DC_{MAX} = 0.75$ at higher loads. The maximum duty cycle decreases when the LT1767 is synchronized to an external clock; $DC_{MAX} = 1 - 0.25\mu s \cdot f_{CLK}$.

The maximum input voltage is determined by the absolute maximum ratings of the V_{IN} and BOOST pins and by the minimum duty cycle $DC_{MIN} = 0.16$:

$$V_{IN(MAX)} = \frac{V_{OUT} + V_D}{DC_{MIN}} - V_D + V_{SW}$$

For a 12V input, the lowest practical output voltage is 1.8V. Minimum duty cycle will increase when the LT1767 is synchronized; $DC_{MIN} = 0.11\mu s \cdot f_{CLK}$. Note that this is a restriction on the operating input voltage; the circuit will tolerate transient inputs up to the absolute maximum ratings of the V_{IN} and BOOST pins, provided the output is not shorted.

For wider input voltage range, consult the related parts table on the last page of this data sheet.

INPUT CAPACITOR

Step-down regulators draw current from the input supply in pulses. The rise and fall times of these pulses are very fast. The input capacitor is required to reduce the voltage ripple this causes at the input of LT1767 and force the switching current into a tight local loop, thereby minimizing EMI. The RMS ripple current can be calculated from:

$$I_{RIPPLE(RMS)} = I_{OUT} \sqrt{V_{OUT} (V_{IN} - V_{OUT}) / V_{IN}^2}$$

Higher value, lower cost ceramic capacitors are now available in smaller case sizes. These are ideal for input bypassing since their high frequency capacitive nature removes most ripple current rating and turn-on surge problems. At higher switching frequency, the energy storage requirement of the

APPLICATIONS INFORMATION

input capacitor is reduced so values in the range of 1 μ F to 4.7 μ F are suitable for most applications. Y5V or similar type ceramics can be used since the absolute value of capacitance is less important and has no significant effect on loop stability. If operation is required close to the minimum input required by the output of the LT1767, a larger value may be required. This is to prevent excessive ripple causing dips below the minimum operating voltage, resulting in erratic operation.

If tantalum capacitors are used, values in the 22 μ F to 470 μ F range are generally needed to minimize ESR and meet ripple current and surge ratings. Care should be taken to ensure the ripple and surge ratings are not exceeded. The AVX TPS and Kemet T495 series are surge rated. AVX recommends derating capacitor operating voltage by 2:1 for high surge applications.

OUTPUT CAPACITOR

Unlike the input capacitor, RMS ripple current in the output capacitor is normally low enough that ripple current rating is not an issue. The current waveform is triangular, with an RMS value given by:

$$I_{\text{RIPPLE(RMS)}} = \frac{0.29(V_{\text{OUT}})(V_{\text{IN}} - V_{\text{OUT}})}{(L)(f)(V_{\text{IN}})}$$

The LT1767 will operate with both ceramic and tantalum output capacitors. Ceramic capacitors are generally chosen for their small size, very low ESR (effective series resistance), and good high frequency operation, reducing output ripple voltage. Typical ceramic output capacitors are in the 4.7 μ F to 47 μ F range. Since the absolute value of capacitance defines the pole frequency of the output stage, an X7R or X5R type ceramic, which have good temperature stability, is recommended.

Tantalum capacitors are usually chosen for their bulk capacitance properties, useful in high transient load applications. ESR rather than capacitive value defines output ripple at 1.25MHz. Typical LT1767 applications require a tantalum capacitor with less than 0.3 Ω ESR at 22 μ F to 500 μ F.

Figure 3 shows a comparison of output ripple for a ceramic and tantalum capacitor at 200mA ripple current.

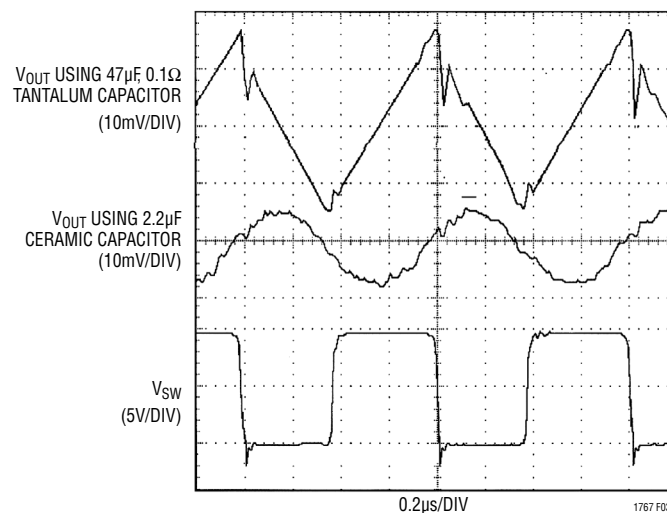


Figure 3. Output Ripple Voltage Waveform

INDUCTOR CHOICE AND MAXIMUM OUTPUT CURRENT

Maximum output current for a buck converter is equal to the maximum switch rating (I_p) minus one half peak to peak inductor current. In past designs, the maximum switch current has been reduced by the introduction of slope compensation. Slope compensation is required at duty cycles above 50% to prevent an affect called sub-harmonic oscillation (see Application Note 19 for details). The LT1767 has a new circuit technique that maintains a constant switch current rating at all duty cycles.

For most applications, the output inductor will be in the 1 μ H to 10 μ H range. Lower values are chosen to reduce the physical size of the inductor, higher values allow higher output currents due to reduced peak to peak ripple current, and reduces the current at which discontinuous operation occurs. The following formula gives maximum output current for continuous mode operation, implying that the peak to peak ripple (2x the term on the right) is less than the maximum switch current.

APPLICATIONS INFORMATION

$$\text{Continuous Mode } I_{OUT(MAX)} = I_P - \frac{(V_{OUT})(V_{IN} - V_{OUT})}{2(L)(f)(V_{IN})}$$

Discontinuous operation occurs when

$$I_{OUT(DIS)} = \frac{(V_{OUT})}{2(L)(f)}$$

For $V_{IN} = 8V$, $V_{OUT} = 5V$ and $L = 3.3\mu H$,

$$I_{OUT(MAX)} = 1.5 - \frac{(5)(8-5)}{2(3.3 \cdot 10^{-6})(1.25 \cdot 10^6)(8)}$$

$$= 1.5 - 0.23 = 1.27 A$$

Note that the worst case (minimum output current available) condition is at the maximum input voltage. For the same circuit at 15V, maximum output current would be only 1.1A.

When choosing an inductor, consider maximum load current, core and copper losses, allowable component height, output voltage ripple, EMI, fault current in the inductor, saturation, and of course, cost. The following procedure is suggested as a way of handling these somewhat complicated and conflicting requirements.

1. Choose a value in microhenries from the graphs of maximum load current. Choosing a small inductor with lighter loads may result in discontinuous mode of operation, but the LT1767 is designed to work well in either mode.

Assume that the average inductor current is equal to load current and decide whether or not the inductor must withstand continuous fault conditions. If maximum load current is 0.5A, for instance, a 0.5A inductor may not survive a continuous 2A overload condition. Also, the instantaneous application of input or release from shutdown, at high input voltages, may cause saturation of the inductor. In these applications, the soft-start circuit shown in Figure 10 should be used.

2. Calculate peak inductor current at full load current to ensure that the inductor will not saturate. Peak current can be significantly higher than output current,

especially with smaller inductors and lighter loads, so don't omit this step. Powdered iron cores are forgiving because they saturate softly, whereas ferrite cores saturate abruptly. Other core materials fall somewhere in between.

$$I_{PEAK} = I_{OUT} + \frac{V_{OUT}(V_{IN} - V_{OUT})}{2(L)(f)(V_{IN})}$$

V_{IN} = Maximum input voltage

f = Switching frequency, 1.25MHz

3. Decide if the design can tolerate an "open" core geometry like a rod or barrel, which have high magnetic field radiation, or whether it needs a closed core like a toroid to prevent EMI problems. This is a tough decision because the rods or barrels are temptingly cheap and small and there are no helpful guidelines to calculate when the magnetic field radiation will be a problem.
4. After making an initial choice, consider the secondary things like output voltage ripple, second sourcing, etc. Use the experts in the Linear Technology's applications department if you feel uncertain about the final choice. They have experience with a wide range of inductor types and can tell you about the latest developments in low profile, surface mounting, etc.

Table 1

| PART NUMBER | VALUE (uH) | I _{SAT} (Amps) | DCR (Ω) | HEIGHT (mm) |
|--------------------|------------|-------------------------|---------|-------------|
| Coiltronics | | | | |
| TP1-2R2 | 2.2 | 1.3 | 0.188 | 1.8 |
| TP2-2R2 | 2.2 | 1.5 | 0.111 | 2.2 |
| TP3-4R7 | 4.7 | 1.5 | 0.181 | 2.2 |
| TP4- 100 | 10 | 1.5 | 0.146 | 3.0 |
| Murata | | | | |
| LQH1C1R0M04 | 1.0 | 0.51 | 0.28 | 1.8 |
| LQH3C1R0M24 | 1.0 | 1.0 | 0.06 | 2.0 |
| LQH3C2R2M24 | 2.2 | 0.79 | 0.1 | 2.0 |
| LQH4C1R5M04 | 1.5 | 1.0 | 0.09 | 2.6 |
| Sumida | | | | |
| CD73- 100 | 10 | 1.44 | 0.080 | 3.5 |
| CDRH4D18-2R2 | 2.2 | 1.32 | 0.058 | 1.8 |
| CDRH5D18-6R2 | 6.2 | 1.4 | 0.071 | 1.8 |
| CDRH5D28-100 | 10 | 1.3 | 0.048 | 2.8 |

APPLICATIONS INFORMATION

CATCH DIODE

The suggested catch diode (D1) is a UPS120 Schottky, or its Motorola equivalent, MBRM120LT1/MBRM130LT1. It is rated at 2A average forward current and 20V/30V reverse voltage. Typical forward voltage is 0.5V at 1A. The diode conducts current only during switch off time. Peak reverse voltage is equal to regulator input voltage. Average forward current in normal operation can be calculated from:

$$I_{D(AVG)} = \frac{I_{OUT} (V_{IN} - V_{OUT})}{V_{IN}}$$

BOOST PIN

For most applications, the boost components are a 0.1μF capacitor and a CMDSH-3 diode. The anode is typically connected to the regulated output voltage to generate a voltage approximately V_{OUT} above V_{IN} to drive the output stage. The output driver requires at least 2.7V of headroom throughout the on period to keep the switch fully saturated. However, the output stage discharges the boost capacitor during the on time. If the output voltage is less than 3.3V, it is recommended that an alternate boost supply is used. The boost diode can be connected to the input, although, care must be taken to prevent the $2 \times V_{IN}$ boost voltage from exceeding the BOOST pin absolute maximum rating. The additional voltage across the switch driver also increases power loss, reducing efficiency. If available, an independent supply can be used with a local bypass capacitor.

A 0.1μF boost capacitor is recommended for most applications. Almost any type of film or ceramic capacitor is suitable, but the ESR should be $<1\Omega$ to ensure it can be fully recharged during the off time of the switch. The capacitor value is derived from worst-case conditions of 700ns on-time, 50mA boost current, and 0.7V discharge ripple. This value is then guard banded by 2x for secondary factors such as capacitor tolerance, ESR and temperature effects. The boost capacitor value could be reduced under less demanding conditions, but this will not improve circuit operation or efficiency. Under low input voltage and low load conditions, a higher value capacitor will reduce discharge ripple and improve start up operation.

SHUTDOWN AND UNDERVOLTAGE LOCKOUT

Figure 4 shows how to add undervoltage lockout (UVLO) to the LT1767. Typically, UVLO is used in situations where the input supply is *current limited*, or has a relatively high source resistance. A switching regulator draws constant power from the source, so source current increases as source voltage drops. This looks like a negative resistance load to the source and can cause the source to current limit or latch low under low source voltage conditions. UVLO prevents the regulator from operating at source voltages where these problems might occur.

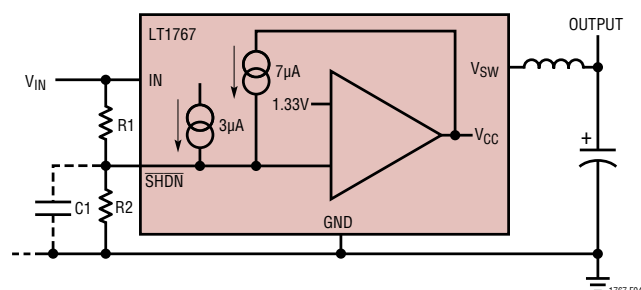


Figure 4. Undervoltage Lockout

An internal comparator will force the part into shutdown below the minimum V_{IN} of 2.6V. This feature can be used to prevent excessive discharge of battery-operated systems. If an adjustable UVLO threshold is required, the shutdown pin can be used. The threshold voltage of the shutdown pin comparator is 1.33V. A 3μA internal current source defaults the open pin condition to be operating (see Typical Performance Graphs). Current hysteresis is added above the SHDN threshold. This can be used to set voltage hysteresis of the UVLO using the following:

$$R1 = \frac{V_H - V_L}{7\mu A}$$

$$R2 = \frac{1.33V}{\frac{(V_H - 1.33V)}{R1} + 3\mu A}$$

V_H – Turn-on threshold

V_L – Turn-off threshold

APPLICATIONS INFORMATION

Example: switching should not start until the input is above 4.75V and is to stop if the input falls below 3.75V.

$$V_H = 4.75V$$

$$V_L = 3.75V$$

$$R1 = \frac{4.75V - 3.75V}{7\mu A} = 143k$$

$$R2 = \frac{1.33V}{\frac{(4.75V - 1.33V)}{143k} + 3\mu A} = 49.4k$$

Keep the connections from the resistors to the SHDN pin short and make sure that the interplane or surface capacitance to the switching nodes are minimized. If high resistor values are used, the SHDN pin should be bypassed with a 1nF capacitor to prevent coupling problems from the switch node.

SYNCHRONIZATION

The SYNC pin, is used to synchronize the internal oscillator to an external signal. The SYNC input must pass from a logic level low, through the maximum synchronization threshold with a duty cycle between 20% and 80%. The input can be driven directly from a logic level output. The synchronizing range is equal to *initial* operating frequency up to 2MHz. This means that *minimum* practical sync frequency is equal to the worst-case *high* self-oscillating frequency (1.5MHz), not the typical operating frequency of 1.25MHz. Caution should be used when synchronizing above 1.6MHz because at higher sync frequencies the amplitude of the internal slope compensation used to prevent subharmonic switching is reduced. This type of subharmonic switching only occurs at input voltages less than twice output voltage. Higher inductor values will tend to eliminate this problem. See Frequency Compensation section for a discussion of an entirely different cause of subharmonic switching before assuming that the cause is insufficient slope compensation. Application Note 19 has more details on the theory of slope compensation.

LAYOUT CONSIDERATIONS

As with all high frequency switchers, when considering layout, care must be taken in order to achieve optimal electrical, thermal and noise performance. For maximum efficiency, switch rise and fall times are typically in the nanosecond range. To prevent noise both radiated and conducted, the high speed switching current path, shown in Figure 5, must be kept as short as possible. This is implemented in the suggested layout of Figure 6. Shortening this path will also reduce the parasitic trace inductance of approximately 25nH/inch. At switch-off, this parasitic inductance produces a flyback spike across the LT1767 switch. When operating at higher currents and input voltages, with poor layout, this spike can generate voltages across the LT1767 that may exceed its absolute maximum rating. A ground plane should always be used under the switcher circuitry to prevent interplane coupling and overall noise.

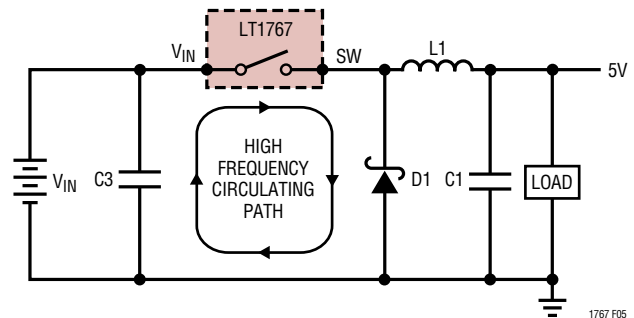


Figure 5. High Speed Switching Path

The V_C and FB components should be kept as far away as possible from the switch and boost nodes. The LT1767 pinout has been designed to aid in this. The ground for these components should be separated from the switch current path. Failure to do so will result in poor stability or subharmonic like oscillation.

Board layout also has a significant effect on thermal resistance. Soldering the exposed pad to as large a copper area as possible and placing feedthroughs under the pad to a ground plane, will reduce die temperature and increase the power capacity of the LT1767. For the nonexposed package, Pin 4 is connected directly to the pad inside the package. Similar treatment of this pin will result in lower die temperatures.

APPLICATIONS INFORMATION

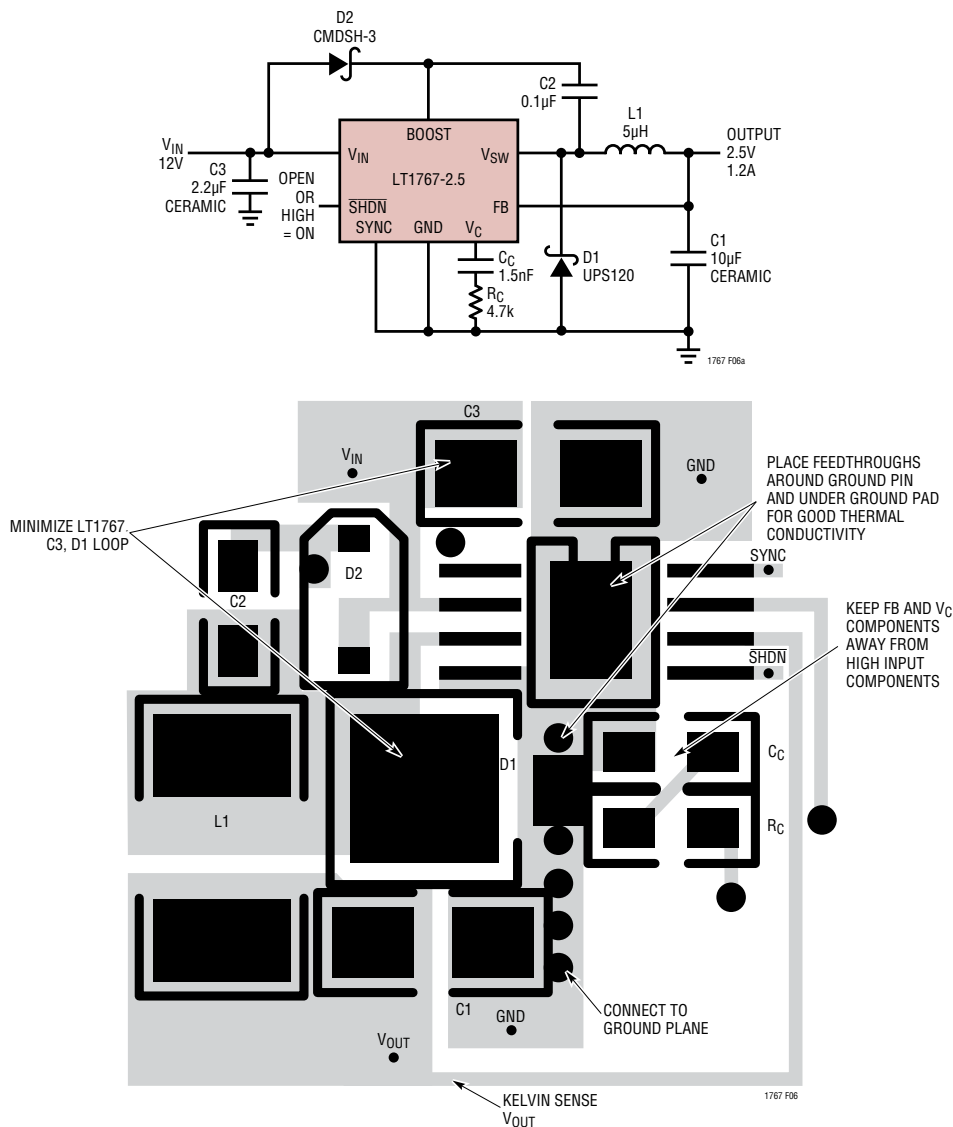


Figure 6. Typical Application and Suggested Layout (Topside Only Shown)

THERMAL CALCULATIONS

Power dissipation in the LT1767 chip comes from four sources: switch DC loss, switch AC loss, boost circuit current, and input quiescent current. The following formulas show how to calculate each of these losses. These formulas assume continuous mode operation, so they should not be used for calculating efficiency at light load currents.

Switch loss:

$$P_{SW} = \frac{R_{SW} (I_{OUT})^2 (V_{OUT})}{V_{IN}} + 17ns (I_{OUT}) (V_{IN}) (f)$$

Boost current loss for $V_{BOOST} = V_{OUT}$:

$$P_{BOOST} = \frac{V_{OUT}^2 (I_{OUT} / 50)}{V_{IN}}$$

Quiescent current loss:

$$P_Q = V_{IN} (0.001)$$

R_{SW} = Switch resistance ($\approx 0.27\Omega$ when hot)

17ns = Equivalent switch current/voltage overlap time

f = Switch frequency

APPLICATIONS INFORMATION

Example: with $V_{IN} = 10V$, $V_{OUT} = 5V$ and $I_{OUT} = 1A$:

$$P_{SW} = \frac{(0.27)(1)^2(5)}{10} + (17 \cdot 10^{-9})(1)(10)(1.25 \cdot 10^6) \\ = 0.135 + 0.21 = 0.34W$$

$$P_{BOOST} = \frac{(5)^2(1/50)}{10} = 0.05W$$

$$P_Q = 10(0.001) = 0.01W$$

Total power dissipation is $0.34 + 0.05 + 0.01 = 0.4W$.

Thermal resistance for LT1767 package is influenced by the presence of internal or backside planes. With a full plane under the package, thermal resistance for the exposed pad package will be about $40^{\circ}C/W$. No plane will increase resistance to about $150^{\circ}C/W$. To calculate die temperature, use the appropriate thermal resistance number and add in worst-case ambient temperature:

$$T_J = T_A + \theta_{JA} (P_{TOT})$$

When estimating ambient, remember the nearby catch diode and inductor will also be dissipating power.

$$P_{DIODE} = \frac{(V_F)(V_{IN} - V_{OUT})(I_{LOAD})}{V_{IN}}$$

V_F = Forward voltage of diode (assume 0.5V at 1A)

$$P_{DIODE} = \frac{(0.5)(12-5)(1)}{12} = 0.29W$$

Notice that the catch diode's forward voltage contributes a significant loss in the overall system efficiency. A larger, lower V_F diode can improve efficiency by several percent.

$$P_{INDUCTOR} = (I_{LOAD}) (L_{DCR})$$

L_{DCR} = Inductor DC resistance (assume 0.1Ω)

$$P_{INDUCTOR} = (1) (0.1) = 0.1W$$

Typical thermal resistance of the board is $35^{\circ}C/W$. At an ambient temperature of $65^{\circ}C$,

$$T_j = 65 + 40 (0.4) + 35 (0.39) = 95^{\circ}C$$

If a true die temperature is required, a measurement of the SYNC to GND pin resistance can be used. The SYNC pin resistance across temperature must first be calibrated, with no device power, in an oven. The same measurement can then be used in operation to indicate the die temperature.

FREQUENCY COMPENSATION

Before starting on the theoretical analysis of frequency response, the following should be remembered – the worse the board layout, the more difficult the circuit will be to stabilize. This is true of almost all high frequency analog circuits, read the Layout Considerations section first. Common layout errors that appear as stability problems are distant placement of input decoupling capacitor and/or catch diode, and connecting the V_C compensation to a ground track carrying significant switch current. In addition, the theoretical analysis considers only first order non-ideal component behavior. For these reasons, it is important that a final stability check is made with production layout and components.

The LT1767 uses current mode control to regulate the output. This simplifies loop compensation. In particular, the LT1767 does not require the ESR (equivalent series resistance) of the output capacitor for stability, so you are free to use ceramic capacitors to achieve low output ripple and small circuit size. Frequency compensation is provided by the components tied to the V_C pin, as shown in Figure 7. Generally a capacitor (C_C) and a resistor (R_C) in series to ground are used. In addition, there may be lower value capacitor (C_F) in parallel.

Figure 7 also shows an equivalent circuit for the LT1767 control loop. The error amplifier is a transconductance amplifier with finite output impedance. The power section, consisting of the modulator, power switch and inductor, is modeled as a transconductance amplifier generating an output current proportional to the voltage at the V_C pin. Note that the output capacitor integrates this current, and that the capacitor on the V_C pin (C_C) integrates the error amplifier output current, resulting in two poles in the loop. In most cases a zero is required and comes from either the output capacitor ESR or from a resistor R_C in series

APPLICATIONS INFORMATION

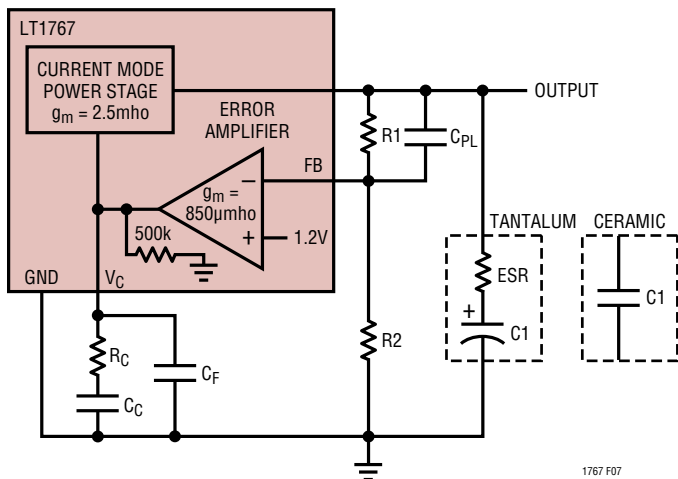


Figure 7. Model for Loop Response

with C_C . This simple model works well as long as the value of the inductor is not too high and the loop crossover frequency is much lower than the switching frequency. A phase lead capacitor (C_{PL}) across the feedback divider may improve the transient response. An optional capacitor (C_F) in parallel with the compensation may be included. This capacitor is not part of the loop compensation, but instead filters noise at the switching frequency, and is required only if a phase-lead capacitor is used or if the output capacitor has high ESR.

For output capacitors with specified ESR greater than $\sim 50m\Omega$, a single capacitor can be used for compensation. For ceramic output capacitor, include a zero resistor in the compensation network. Figure 8 shows the transient response of the circuit on the front page of the data sheet.

When checking loop stability, the circuit should be operated over the application's full voltage, current and temperature range. Any transient loads should be applied and the output voltage monitored for a well-damped behavior. See Application Note 76 for more details.

CONVERTER WITH BACKUP OUTPUT REGULATOR

In systems with a primary and backup supply, for example, a battery powered device with a wall adapter input, the output of the LT1767 can be held up by the backup supply with its input disconnected. In this condition, the SW pin will source current into the V_{IN} pin. If the SHDN

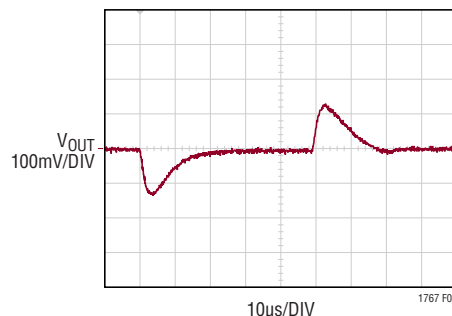


Figure 8. Oscillograph Shows the Output Voltage Response to a Load Current Transient from 0.3A to 1A. The Compensation Network Results in Fast, Damped Response. (Front Page Schematic, 12V in to 3.3V out)

pin is held at ground, only the shut down current of $6\mu A$ will be pulled via the SW pin from the second supply. With the SHDN pin floating, the LT1767 will consume its quiescent operating current of 1mA. The V_{IN} pin will also source current to any other components connected to the input line. If this load is greater than 10mA or the input could be shorted to ground, a series Schottky diode must be added, as shown in Figure 9. With these safeguards, the output can be held at voltages up to the V_{IN} absolute maximum rating.

BUCK CONVERTER WITH ADJUSTABLE SOFT-START

Large capacitive loads or high input voltages can cause high input currents at start-up. Figure 10 shows a circuit that limits the dv/dt of the output at start-up, controlling the capacitor charge rate. The buck converter is a typical configuration with the addition of $R3$, $R4$, C_{SS} and $Q1$. As the output starts to rise, $Q1$ turns on, regulating switch current via the V_C pin to maintain a constant dv/dt at the output. Output rise time is controlled by the current through C_{SS} defined by $R4$ and $Q1$'s V_{BE} . Once the output is in regulation, $Q1$ turns off and the circuit operates normally. $R3$ is transient protection for the base of $Q1$.

$$\text{RiseTime} = \frac{(R4)(C_{SS})(V_{OUT})}{(V_{BE})}$$

Using the values shown in Figure 10,

$$\text{RiseTime} = \frac{(47 \cdot 10^3)(15 \cdot 10^{-9})(5)}{0.7} = 5ms$$

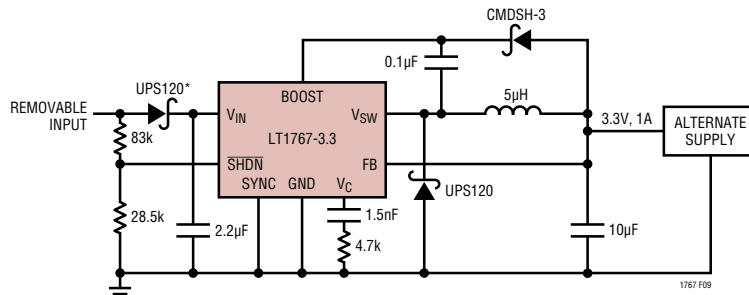
APPLICATIONS INFORMATION

The ramp is linear and rise times in the order of 100ms are possible. Since the circuit is voltage controlled, the ramp rate is unaffected by load characteristics and maximum output current is unchanged. Variants of this circuit can be used for sequencing multiple regulator outputs.

Dual Output SEPIC Converter

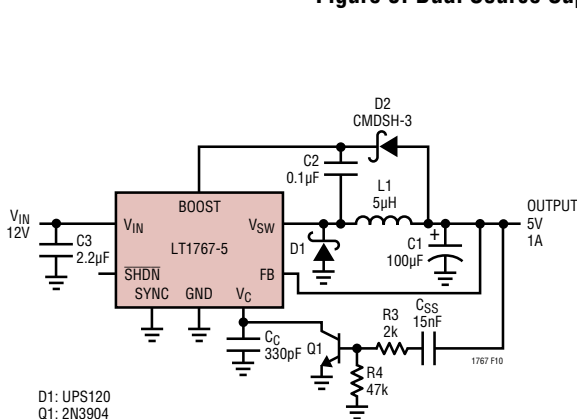
The circuit in Figure 11 generates both positive and negative 5V outputs with a single piece of magnetics. The two inductors shown are actually just two windings on a standard B H Electronics inductor. The topology for the 5V output is a standard buck converter. The -5V topology would be a simple flyback winding coupled to the buck converter if C4 were not present. C4 creates a SEPIC (single-ended primary inductance converter) topology which improves

regulation and reduces ripple current in L1. Without C4, the voltage swing on L1B compared to L1A would vary due to relative loading and coupling losses. C4 provides a low impedance path to maintain an equal voltage swing in L1B, improving regulation. In a flyback converter, during switch on time, all the converter's energy is stored in L1A only, since no current flows in L1B. At switch off, energy is transferred by magnetic coupling into L1B, powering the -5V rail. C4 pulls L1B positive during switch on time, causing current to flow, and energy to build in L1B and C4. At switch off, the energy stored in both L1B and C4 supply the -5V rail. This reduces the current in L1A and changes L1B current waveform from square to triangular. For details on this circuit, including maximum output currents, see Design Note 100.



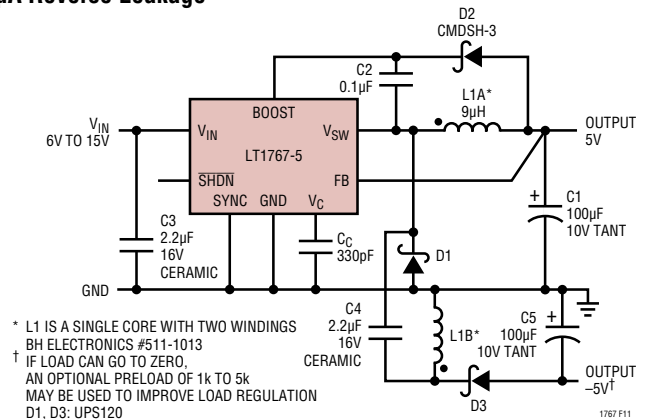
* ONLY REQUIRED IF INPUT CAN SINK >10mA

Figure 9. Dual Source Supply with 6µA Reverse Leakage



D1: UPS120
Q1: 2N3904

Figure 10. Buck Converter with Adjustable Soft-Start



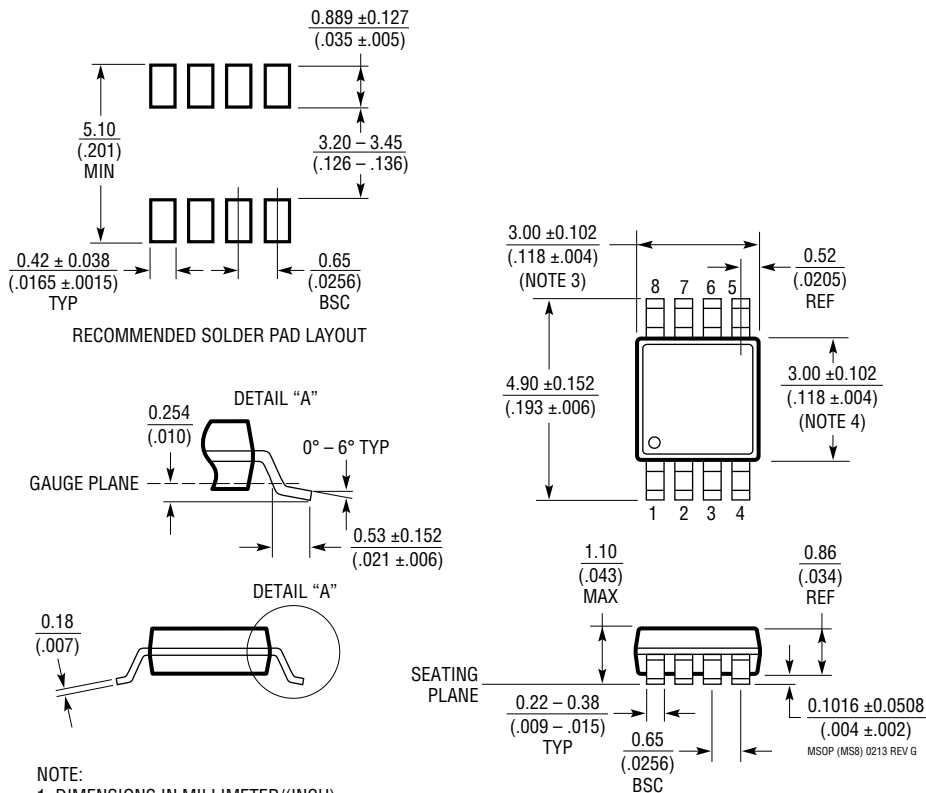
* L1 IS A SINGLE CORE WITH TWO WINDINGS
BH ELECTRONICS #511-1013
† IF LOAD CAN GO TO ZERO,
AN OPTIONAL PRELOAD OF 1k TO 5k
MAY BE USED TO IMPROVE LOAD REGULATION
D1, D3: UPS120

Figure 11. Dual Output SEPIC Converter

PACKAGE DESCRIPTION

Please refer to <http://www.linear.com/designtools/packaging/> for the most recent package drawings.

MS8 Package 8-Lead Plastic MSOP (Reference LTC DWG # 05-08-1660 Rev G)

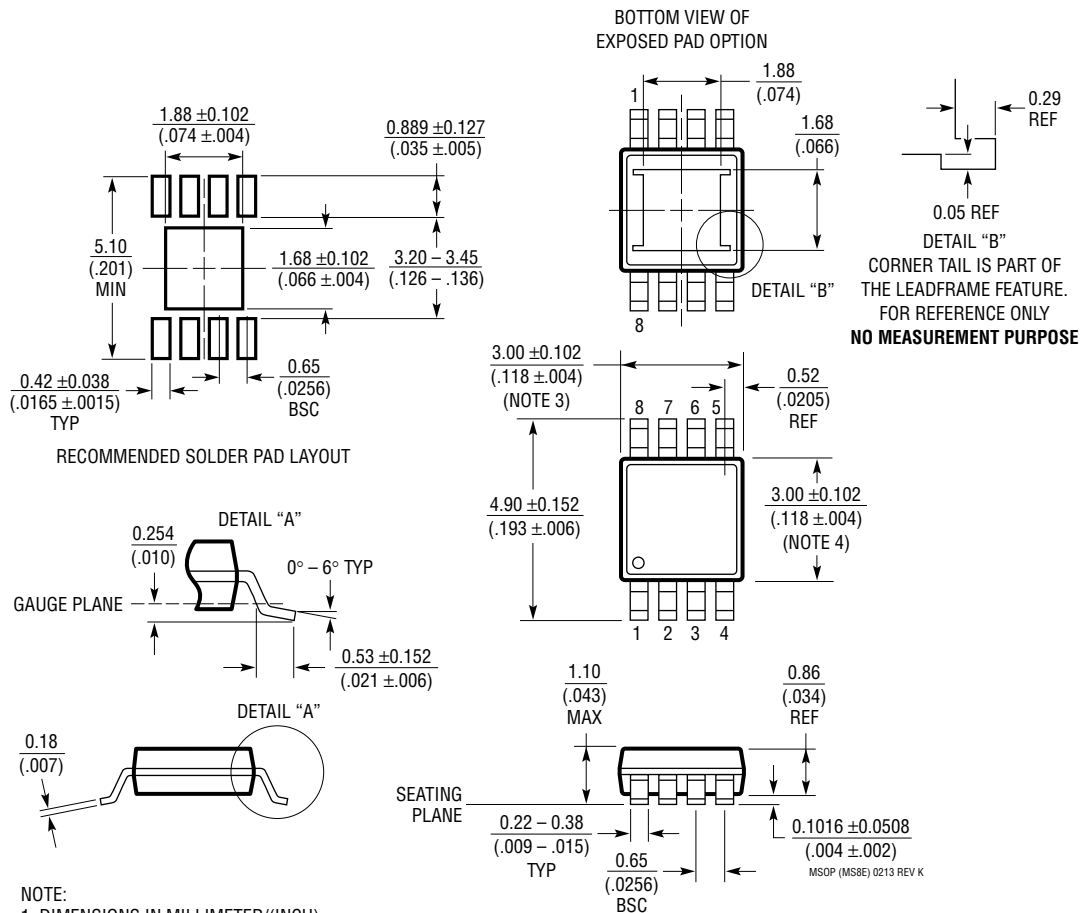


- NOTE:
1. DIMENSIONS IN MILLIMETER/(INCH)
 2. DRAWING NOT TO SCALE
 3. DIMENSION DOES NOT INCLUDE MOLD FLASH, PROTRUSIONS OR GATE BURRS.
MOLD FLASH, PROTRUSIONS OR GATE BURRS SHALL NOT EXCEED 0.152mm (.006") PER SIDE
 4. DIMENSION DOES NOT INCLUDE INTERLEAD FLASH OR PROTRUSIONS.
INTERLEAD FLASH OR PROTRUSIONS SHALL NOT EXCEED 0.152mm (.006") PER SIDE
 5. LEAD COPLANARITY (BOTTOM OF LEADS AFTER FORMING) SHALL BE 0.102mm (.004") MAX

PACKAGE DESCRIPTION

Please refer to <http://www.linear.com/designtools/packaging/> for the most recent package drawings.

MS8E Package 8-Lead Plastic MSOP, Exposed Die Pad (Reference LTC DWG # 05-08-1662 Rev K)



NOTE:

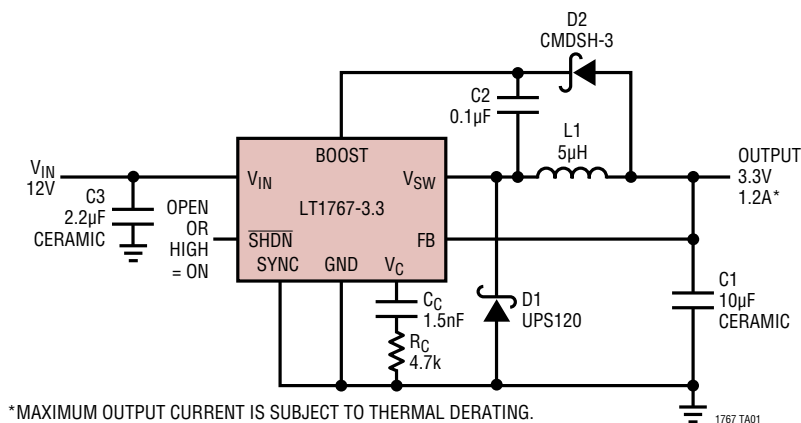
1. DIMENSIONS IN MILLIMETER/(INCH)
2. DRAWING NOT TO SCALE
3. DIMENSION DOES NOT INCLUDE MOLD FLASH, PROTRUSIONS OR GATE BURRS. MOLD FLASH, PROTRUSIONS OR GATE BURRS SHALL NOT EXCEED 0.152mm (.006") PER SIDE
4. DIMENSION DOES NOT INCLUDE INTERLEAD FLASH OR PROTRUSIONS. INTERLEAD FLASH OR PROTRUSIONS SHALL NOT EXCEED 0.152mm (.006") PER SIDE
5. LEAD COPLANARITY (BOTTOM OF LEADS AFTER FORMING) SHALL BE 0.102mm (.004") MAX
6. EXPOSED PAD DIMENSION DOES INCLUDE MOLD FLASH. MOLD FLASH ON E-PAD SHALL NOT EXCEED 0.254mm (.010") PER SIDE.

REVISION HISTORY (Revision history begins at Rev B)

| REV | DATE | DESCRIPTION | PAGE NUMBER |
|-----|-------|---------------------------------------------------------------|-------------|
| B | 11/14 | Clarified Schematic and Graph | 1 |
| | | Clarified Ordering Information | 2 |
| | | Clarified Note 1 | 3 |
| | | Clarified Minimum Input Voltage for 3.3V _{OUT} Graph | 5 |
| | | Added Input Voltage Range Section | 8 |
| | | Clarified Figure 5 | 12 |
| | | Clarified Frequency Compensation Description | 14 |
| | | Clarified Related Parts Section | 20 |

TYPICAL APPLICATION

12V to 3.3V Step-Down Converter



RELATED PARTS

| PART NUMBER | DESCRIPTION | COMMENTS |
|-------------------------------------------------------|-------------------------------------------------------------------------------|----------------------------------------------------------------------------------------------------------------------------------|
| LT1936 | 36V, 1.5A, 500kHz, Step-Down Regulator | 90% Efficiency, $V_{IN} = 3.6V$ to 36V, $V_{OUT(MIN)} = 1.2V$, $I_Q = 1.8mA$, $I_{SC} < 1\mu A$, MSOP-8E |
| LT3505 | 36V, 1.2A, 3MHz, Step-Down Regulator | 90% Efficiency, $V_{IN} = 3.6V$ to 36V, $V_{OUT(MIN)} = 0.78V$, $I_Q = 2mA$, $I_{SC} < 2\mu A$, 3mm × 3mm DFN-8, MSOP-8E |
| LTC3600 | 15V, 1.5A, 4MHz, Synchronous Rail-to-Rail Single Resistor Step-Down Regulator | 95% Efficiency, $V_{IN} = 4V$ to 15V, $V_{OUT(MIN)} = 0V$, $I_Q = 700\mu A$, $I_{SC} < 1\mu A$, 3mm × 3mm DFN-12, MSOP-12E |
| LTC3621/ LTC3621-2 | 17V, 1.5A, 1/2.25MHz, Synchronous Step-Down Regulator | 95% Efficiency, $V_{IN} = 2.7V$ to 17V, $V_{OUT(MIN)} = 0.6V$, $I_Q = 3.5\mu A$, $I_{SC} < 1\mu A$, 2mm × 3mm DFN-6, MSOP-8E |
| LTC3624/ LTC3624-2 | 17V, 2A, 1/2.25MHz, Synchronous Step-Down Regulator | 95% Efficiency, $V_{IN} = 2.7V$ to 17V, $V_{OUT(MIN)} = 0.6V$, $I_Q = 3.5\mu A$, $I_{SC} < 1\mu A$, 3mm × 3mm DFN-8 |
| LTC3622/ LTC3622-2 | 17V, Dual 1A (I_{OUT}), 1/2.25MHz, Synchronous Step-Down DC/DC Converter | 95% Efficiency, $V_{IN} = 2.7V$ to 17V, $V_{OUT(MIN)} = 0.6V$, $I_Q = 5\mu A$, $I_{SC} < 1\mu A$, 3mm × 4mm DFN-14 |
| LTC3646/ LTC3646-1 | 340V, 1A (I_{OUT}), 4MHz, Synchronous Step-Down DC/DC Converter | 95% Efficiency, $V_{IN} = 4V$ to 40V, $V_{OUT(MIN)} = 0.6V$, $I_Q = 140\mu A$, $I_{SC} < 8\mu A$, 3mm × 4mm DFN-14, MSOP16E |
| LT3685 | 36V (60V Transients), 2A (I_{OUT}), 2.44MHz, Step-Down DC/DC Converter | 90% Efficiency, $V_{IN} = 3.6V$ to 36V, $V_{OUT(MIN)} = 0.79V$, $I_Q = 0.9mA$, $I_{SC} < 14\mu A$, 3mm × 3mm DFN-10, MSOP-10E |
| LT3508 | 36V, Dual 1.4A, 2.5MHz, Step-Down Regulator | 90% Efficiency, $V_{IN} = 3.7V$ to 36V, $V_{OUT(MIN)} = 0.8V$, $I_Q = 2mA$, $I_{SC} < 1\mu A$, 4mm × 4mm QFN-24, TSSOP-16E |